

15678-C

Brand Features

Leviton's Straight Blade Power Inlets are suitable for industrial indoor and outdoor applications. Glass-filled thermoplastic cover and plate provides outstanding impact resistance and durability. Stainless steel external hardware resists corrosive effects of moisture as dual gaskets, one under plate and one under lid, provide for a superior weather-resistant fit.

Item Description

15 Amp, 250 Volt, NEMA 6-15P, 2P, 3W, Flanged Inlet Receptacle, Straight Blade, Industrial Grade, Grounding, , Back Wired, Thermoplastic Nylon Strap, - White

Technical Information

Electrical Specifications

Grounding: Grounding

Amperage: 15 A

Voltage: 250 VAC

Pole: 2

Wire: 3

Temperature Rise: Max 30C after 250 cycles OL at 200 percent rated current

Dielectric Voltage: Withstands 2000V per UL498

Current Interrupting: Certified for current interrupting at full rated current

Environmental Specifications

Flammability: Rated V-2 per UL 94

Operating Temperature: -40°C to 60°C

Environment: Dry

Material Specifications

Body Material: Super Tough Nylon

Wire Module: Nylon

Blades/Contacts: Solid Brass

Terminal Screws: Brass

Assembly Screws: Steel, Zinc Plated

Color: White

Mechanical Specifications

Terminal ID: Brass-Hot, Green-Ground, Silver-Neutral

Terminal Accom.: 18-10 AWG

Product ID: Ratings and NEMA I.D. permanently marked on device

Product Features

NEMA: 6-15P

Termination: Back

Face Material: Nylon

Strap Material: Thermoplastic Nylon

Color: White

Brand: Black and White

Device Type: Straight Blade Flanged Inlet

Standards and Certifications

NEMA: WD-6

ANSI: C-73

UL 498: File E13399

UL Fed Spec WC-596: File E13393

CSA C22.2 No. 42: File LR-406

NOM: 057

Warranty: Lifetime Warranty



Color: White

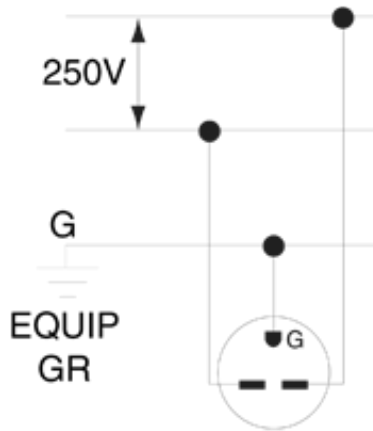
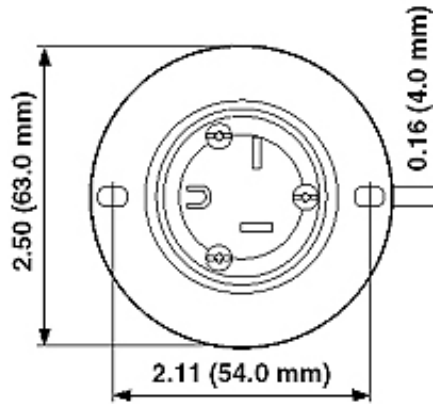
UPC Code: 07847779565

Country Of Origin: United States

NEMA:
6-15P



Dimensional Diagram



6-15P

SPECIFICATION SUBMITTAL

JOB NAME:	CATALOG NUMBERS:	
<input type="text"/>	<input type="text"/>	<input type="text"/>
JOB NUMBER:	<input type="text"/>	<input type="text"/>

Leviton Manufacturing Co., Inc.

201 North Service Road, Melville, NY 11747

Teléfono: +1-800-323-8920 · FAX: +1-800-832-9538 · Tech Line (8:30AM-7:30PM E.S.T. Monday-Friday): +1-800-824-3005

Leviton Manufacturing of Canada, Ltd.

165 Hymus Boulevard, Pointe Claire, Quebec H9R 1E9 · Telephone: +1-800-469-7890 ·

FAX: +1-800-824-3005 · www.leviton.com/canada

Leviton S. de R.L. de C.V.

Lago Tana 43, Mexico DF, Mexico CP 11290 · Tel.: (+52)55-5082-1040 · FAX: (+52)5386-

1797 · www.leviton.com.mx

Visit our Website at: www.leviton.com

© 2018 Leviton Manufacturing Co., Inc. Todos los derechos reservados. Subject to change without notice.

Leviton has a global presence.

If you would like to know where your local Leviton office is located please go to:

www.leviton.com/international/contacts/

