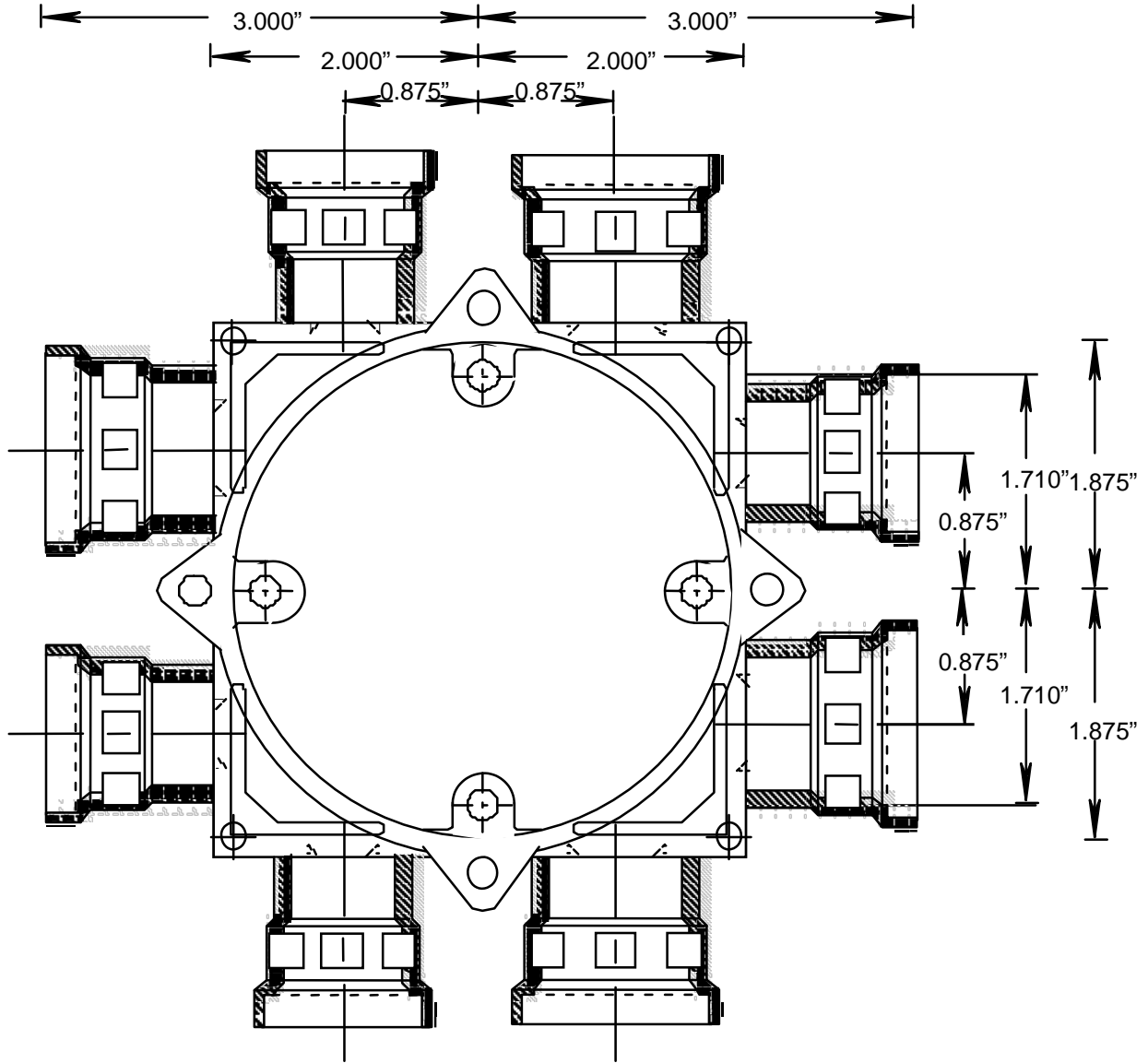


RIGID PVC CONDUIT FITTINGS

SHALLOW SLAB BOX, SMBS-H-10/20

ISSUE DATE:
DATE D'EMISSION: 2003 11 15

SUPERCEDES:
REMPLECE: 2003 08 15



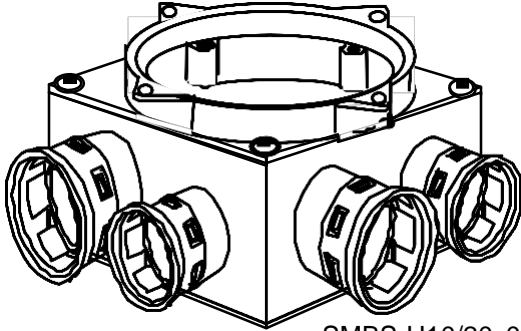
RIGID PVC CONDUIT FITTINGS

ISSUE DATE:
DATE D'EMISSION: 2003 11 15

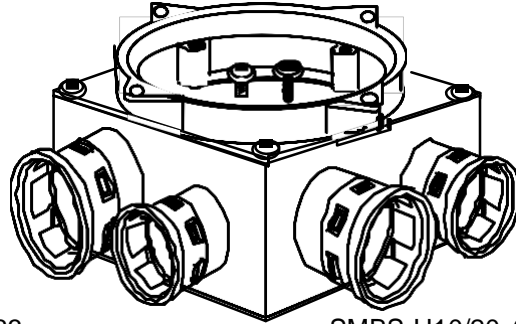
SHALLOW SLAB BOX, SMBS-H-10/20

SUPERCEDES:
REPLACE: 2003 08 15

1



SMBS-H10/20, 089483



SMBS-H10/20, 089488

PART LIST:

DESCRIPTION	PART NUMBER	SMBS-H10/20 US, 089483	SMBS-H10/20 CDN, 089488
8-32 SLAB BR INS C/W LIP	072061	2	2
10-32 SLAB BR INS C/W LIP	072062	2	2
6-X5/8 PAN SOC SCREW	072250	4	4
8X3/4 (5/8) PAN COMB FOR MUD BOX	072559	4	4
SMBS HUB/LID	097028	1	1
8-32X1/2" P COMB 23 GREEN IRR SCREW	072257	-	2
1/2" RETAINERS	091987	4	4
3/4" RETAINERS	091988	2	2
1" RETAINERS	091989	2	2
SMBH10-20 BODY	097064	1	1
FLOOR BOX GROUND CLIP	072561	-	1

