

LIGHTING

EM/EQ SERIES



INCANDESCENT/COMPACT FLUORESCENT/MEDIUM BASE HID



Class I, Div. 1 & 2, Groups C,D
Class I, Zones 1 & 2, Groups IIB, IIA
Class II, Div. 1 & 2, Groups E,F,G
Class III, Div. 1 & 2
 Suitable for wet locations
UL Marine Rated (US Only)
NEMA 3, 4, 4X
Factory Sealed

LISTED - Files E10514 and E91793 (Marine)

Certified - File LR11713

FEATURES-SPECIFICATIONS

HOSTILELITE®

Applications

HostileLite® EM & EQ Series fixtures are designed for installations where moisture, dirt, dust, corrosion and vibration may be present, or NEMA 3 and 4x areas where wind, water, snow or high ambients can be expected. They can be used in locations made hazardous due to the presence of flammable or explosive gases, vapors and combustible dusts as defined by the NEC.

applications include classified areas such as paint manufacturing plants, ammunition facilities, oil and gas producing and refining plants, off-shore and dockside installations, tank farms, pipeline pumping stations and marine loading and fuel transfer terminals.

Features

- Four light sources—Incandescent, compact fluorescent, high pressure sodium and metal halide
- Mounting choice—Pendant, ceiling, 25° stanchion or 90° wall mount, all with “wireless” design that allows fast, easy fixture installation
- Factory sealed—No external seal needed. Simply wire mounting cap and thread on fixture to install
- Compact size—Medium base incandescent and HID lamps, plus PL fluorescent lamps allow smaller fixture design
- Corrosion resistant—Copper-free aluminum die-cast construction. Baked powder epoxy finish, electrostatically applied. Exposed hardware is 316 grade stainless steel

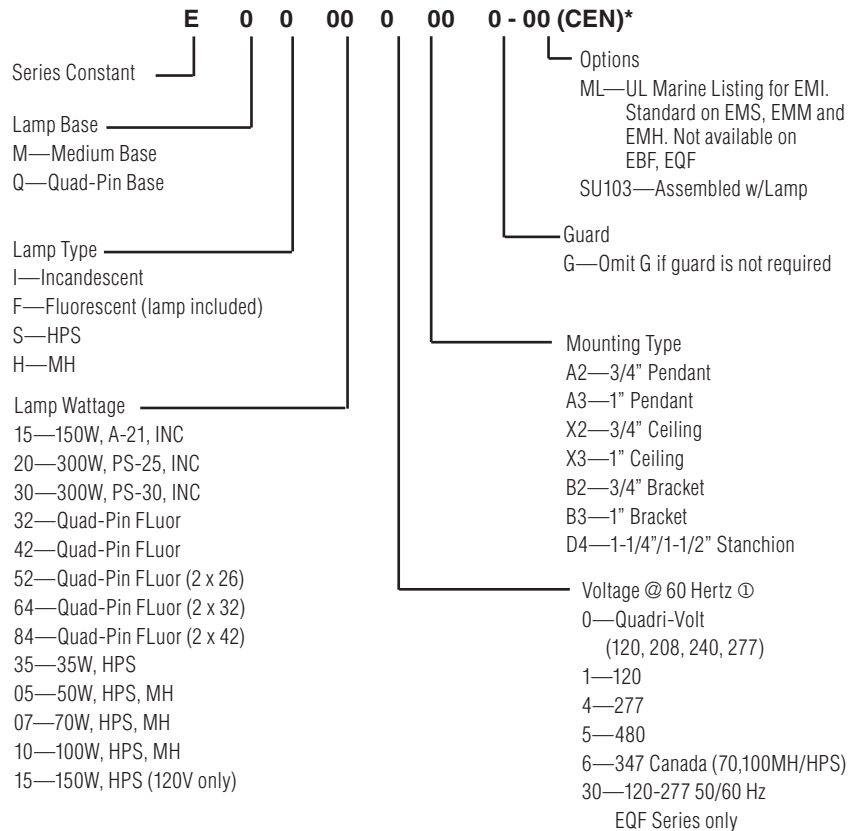
Accessories

- Available with or without guard, standard dome or 25° angle reflector, exit sign and inner colored globes

Compliances

- UL-844 Electric Lighting Fixtures for use in Hazardous Locations
- UL Marine Type Electric Lighting Fixtures
- UL-1598 Standard for Fluorescent, Incandescent and HID fixtures
- CSA C22.2 no. 137-M1981 Electric Luminaires for use in Hazardous Locations
- NEMA 3, 4, 4X, 7CD, 9EFG

Catalog Number Logic



*CEN (CENELEC) approval option available on certain models. See page L150 for more information.

⊕ Consult factory for available lamp and voltage combinations.



EM/EQ SERIES

KILLARK

INCANDESCENT, 60-300W MEDIUM BASE; COMPACT FLUORESCENT, 13-84W



Pendant



Ceiling



Wall



Stanchion

Class I, Div. 1 & 2, Groups C,D
 Class I, Zones 1 & 2, Groups IIB, IIA
 Class II, Div. 1 & 2, Groups E,F,G
 Class III, Div. 1 & 2
 Suitable for wet locations
 Marine Rated (US Only)
 NEMA 3, 4, 4X
 Factory Sealed

LISTED - Files E10514 and E91793 (Marine)

Certified - File LR11713

FEATURES-SPECIFICATIONS

| EM 60 – 300W MEDIUM BASE INCANDESCENT ① | | | | | | |
|---|--------------------|--------------|------------------|----------------|-------------|--------------------|
| LAMP TYPE | LAMP/WATTS | LAMP SIZE | CATALOG NUMBER ④ | | | |
| | | | PENDANT 3/4" ② | CEILING 3/4" ② | WALL 3/4" ② | STANCHION 1-1/4" ③ |
| INC | 60, 75, 100, 150 | A-19, A-21 | EMI15A2G | EMI15X2G | EMI15B2G | EMI15D4G |
| | 100, 150, 200, 300 | A-23, PS-25 | EMI20A2G | EMI20X2G | EMI20B2G | EMI20D4G |
| | 200, 300 | PS-25, PS-30 | EMI30A2G | EMI30X2G | EMI30B2G | EMI30D4G |

| EQF 26 - 42W WORLD VOLTAGE QUAD - PIN COMPACT FLUORESCENT ① | | | | | | |
|---|----------------------|--------------------|------------------|----------------|-------------|--------------------|
| LAMP TYPE | QUAD-PIN FLUORESCENT | | CATALOG NUMBER ④ | | | |
| | LAMP INCLUDED | LINE VOLTAGE | PENDANT 3/4" ② | CEILING 3/4" ② | WALL 3/4" ② | STANCHION 1-1/4" ③ |
| COMPACT FLUOR. | 26 Watt 5 | 120-277VAC 50-60Hz | EQF2630A2G | EQF2630X2G | EQF2630B2G | EQF2630D4G |
| | 32 Watt 5 | 120-277VAC 50-60Hz | EQF3230A2G | EQF3230X2G | EQF3230B2G | EQF3230D4G |
| | 42 Watt 5 | 120-277VAC 50-60Hz | EQF4230A2G | EQF4230X2G | EQF4230B2G | EQF4230D4G |
| | 52 Watt (2 X 26) | 120-277VAC 50-60Hz | EQF5230A2G | EQF5230X2G | EQF5230B2G | EQF5230D4G |
| | 64 Watt (2 X 32) | 120-277VAC 50-60Hz | EQF6430A2G | EQF6430X2G | EQF6430B2G | EQF6430D4G |
| | 84 Watt (2 X 42) | 120-277VAC 50-60Hz | EQF8430A2G | EQF8430X2G | EQF8430B2G | EQF8430D4G |

- ① See Hazardous Location Application Data on pages L150 - L151 for specific suitabilities.
 - ② For 1" pendant, ceiling and wall hubs, substitute "3" for "2" in catalog number; example: **EQF2630A3G**.
 - ③ Stanchion conduit hub size supplied is 1-1/2" with 1-1/2" to 1-1/4" reducer for 1-1/4" mounting. (refer to catalog logic).
 - ④ Luminaire catalog numbers include guards. To order luminaire without guard, omit last letter "G" from catalog number.
 - ⑤ EQF 26-42 Watt fixtures use a tank extension ring and are 2.5" taller than EBF fixtures.
- NOTE: Reflectors must be ordered separately (see page L146). All luminaires are designed for mounting with lamp in base up position.

LIGHTING

EM/EQ SERIES



HID, 35-150W MEDIUM BASE



Pendant



Ceiling



Wall



Stanchion

Class I, Div. 1 & 2, Groups C,D
 Class I, Zones 1 & 2, Groups IIB, IIA
 Class II, Div. 1 & 2, Groups E,F,G
 Class III, Div. 1 & 2
 Suitable for wet locations
 Marine Rated (US Only)
 NEMA 3, 4, 4X
 Factory Sealed



LISTED - Files E10514 and E91793 (Marine)



Certified - File LR11713

FEATURES-SPECIFICATIONS

| EM 35 - 150W MEDIUM BASE HIGH PRESSURE SODIUM ①④ | | | | | | | |
|--|------------|----------------|--------------------|-----------------|----------------|-------------|--------------------|
| LAMP TYPE | LAMP WATTS | ANSI LAMP TYPE | VOLTAGE @60 HERTZ | CATALOG NUMBER④ | | | |
| | | | | PENDANT 3/4" ② | CEILING 3/4" ② | WALL 3/4" ② | STANCHION 1-1/4" ③ |
| HPS | 35 | S-76 | 120 | EMS351A2G | EMS351X2G | EMS351B2G | EMS351D4G |
| | 50 | S-68 | 120, 208, 240, 277 | EMS050A2G | EMS050X2G | EMS050B2G | EMS050D4G |
| | 70 | S-62 | 120, 208, 240, 277 | EMS070A2G | EMS070X2G | EMS070B2G | EMS070D4G |
| | 70 | S-62 | 480 | EMS075A2G | EMS075X2G | EMS075B2G | EMS075D4G |
| | 100 | S-54 | 120, 208, 240, 277 | EMS100A2G | EMS100X2G | EMS100B2G | EMS100D4G |
| | 100 | S-54 | 480 | EMS105A2G | EMS105X2G | EMS105B2G | EMS105D4G |
| | 150 | S-55 | 120 | EMS151A2G | EMS151X2G | EMS151B2G | EMS151D4G |

| EM 50 -100W MEDIUM BASE METAL HALIDE ①④ | | | | | | | |
|---|------------|----------------|--------------------|------------------|----------------|-------------|--------------------|
| LAMP TYPE | LAMP WATTS | ANSI LAMP TYPE | VOLTAGE @60 HERTZ | CATALOG NUMBER ④ | | | |
| | | | | PENDANT 3/4" ② | CEILING 3/4" ② | WALL 3/4" ② | STANCHION 1-1/4" ③ |
| MH | 50 | M-110 | 120, 208, 240, 277 | EMH050A2G | EMH050X2G | EMH050B2G | EMH050D4G |
| | 70 | M-98 | 120, 208, 240, 277 | EMH070A2G | EMH070X2G | EMH070B2G | EMH070D4G |
| | 100 | M-90 | 120, 208, 240, 277 | EMH100A2G | EMH100X2G | EMH100B2G | EMH100D4G |

- ① See Hazardous Location Application Data on page L150 - L151 for specific suitabilityes.
 - ② For 1" pendant, ceiling and wall hubs, substitute "3" for "2" in catalog number; example: EMS351A3G.
 - ③ Stanchion conduit hub size supplied is 1-1/2" with 1-1/2" to 1-1/4" reducer for 1-1/4" mounting. (refer to catalog logic).
 - ④ Luminaire catalog numbers include guards. To order luminaire without guard, omit last letter "G" from catalog number.
- NOTE: Reflectors must be ordered separately (see page L146). All luminaires are designed for mounting with lamp in base up position.



COMPONENT PARTS/ACCESSORIES



EMI15/20/EBF



EMI30 & HID



Pendant



Ceiling



Wall Bracket



25° Stanchion

UL LISTED - Files E10514 and E91793 (Marine)
 SP Certified - File LR11713

Housing, Globe and Globe Support Assemblies^①

| INCANDESCENT | | | |
|----------------|-------------|--------|--------------------|
| CATALOG NUMBER | LAMP TYPE | WATTS | VOLTS ^③ |
| EMI15 | A-19 | 60, 75 | 250 MAX. VAC |
| | A-19, A-21 | 100 | |
| | A-21 | 150 | |
| EMI20 | A-23, PS-25 | 150 | 250 MAX. VAC |
| | A-23, PS-25 | 200 | |
| | PS-25 | 300 | |
| EMI30 | PS-25 | 200 | 250 MAX. VAC |
| | PS-30 | 300 | |

| FLUORESCENT WITH LAMP(S)* | | | |
|---------------------------|----------------------|-----------|------------------------|
| CATALOG NUMBER | ANSI LAMP TYPE | WATTS | VOLTS |
| EQF2630 | Quad Pin Fluorescent | 26 | 120-277 VAC 50-60Hz |
| EQF3230 | | 32 | |
| EQF4230 | | 42 | |
| EQF5230 | | 52 (2X26) | |
| EQF6430 | | 64 (2X32) | |
| EQF8430 | | 84 (2X42) | |

| HPS | | | |
|----------------|----------------|-------|-------------|
| CATALOG NUMBER | ANSI LAMP TYPE | WATTS | VOLTS @60HZ |
| EMS351 | S-76 | 35 | 120 |
| EMS050 | S-68 | 50 | Quad |
| EMS070 | S-62 | 70 | Quad |
| EMS075 | | | 480 |
| EMS100 | S-54 | 100 | Quad |
| EMS105 | | | 480 |
| EMS151 | | | 120 |

| METAL HALIDE | | | |
|----------------|----------------|-------|-------------|
| CATALOG NUMBER | ANSI LAMP TYPE | WATTS | VOLTS @60HZ |
| EMH050 | M-110 | 50 | Quadri-Volt |
| EMH070 | M-98 | 70 | Quadri-Volt |
| EMH100 | M-90 | 100 | Quadri-Volt |

| MOUNTING BOXES | | | | |
|----------------|---------|---------|-----------|----------------|
| CATALOG NUMBER | | | | HUB SIZE |
| PENDANT | CEILING | BRACKET | STANCHION | |
| EZA2 | EZX2 | EZB2 | — | 3/4" |
| EZA3 | EZX3 | EZB3 | — | 1" |
| — | — | — | EZD4* | 1-1/4"/1-1/2"* |

*1-1/2" furnished with 1-1/2"-1-1/4" reducer



HIC-BEIGE replacement wiring plug for EZBx Wall Bracket



Close up plug for EZ mounting boxes. Used for maintenance when fixture is removed for service.



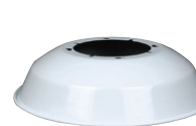
EMG1



EMG2



EAC^②



Standard Dome



Angle Dome

| GUARDS | | |
|----------------|------------------|-----------|
| CATALOG NUMBER | SERIES | LAMP TYPE |
| EMG1 | EMI15 | INC |
| | EMI20 | INC |
| | EQF (26, 32, 42) | Quad-Pin |
| EMG2 | EMI30 | INC |
| | EMS | HPS |
| | EMH | MH |
| | ESX | Strobe |
| | EQF (52, 64, 84) | Quad-Pin |

Guards are cast of copper-free aluminum with electrostatically applied epoxy/polyester finish.

- * Consult factory for 52, 64 and 84 Watt availability.
- ① Assemblies may be ordered with the CEN (CENELEC) suffix. See page L148 for more information.
- ② Adapters for discontinued Killark "H" Series and Crouse Hinds[®] available.
- ③ UL fixture rating; socket rated 600V.

| REFLECTORS | | |
|----------------|-------|------------------|
| CATALOG NUMBER | | SERIES |
| STANDARD DOME | ANGLE | |
| ERSD15 | ERA15 | EMI15/EMI20 |
| | | EQF |
| ERSD30 | ERA30 | EMI30 |
| | | EMS |
| | | EMH |
| | | EQF (52, 64, 84) |

Reflectors are aluminum with white finish.



FACTORY SEALED

Class I, DIV. 1 BCD
 Class II, DIV. 1&2 EFG
 CLASS III
 NEMA 3, 4X IP66
 *40°C ambient T3 Rated

| PHOTO CELL FIELD KITS WITH HKB - GL BOX AND COVER | |
|---|------------|
| CATALOG NUMBER | VOLTS |
| VMHKPC1 | 120VAC |
| VMHKPC2 | 208-277VAC |
| VMHKPC3 | 347VAC |



REPLACEMENT PARTS/ACCESSORIES



Exit Sign Accessory

Hazardous Locations Exit Sign

Applications

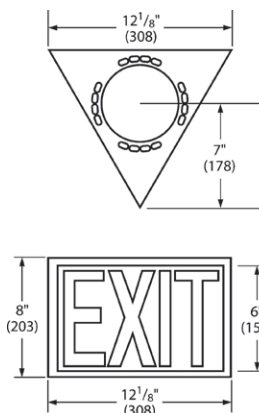
For use in hazardous areas to mark exits over doorways and in hallways.

Features

- Three sided illuminated sign visible from all three sides
- EXIT printed in 6" high red letters with 3/4" strokes as required by OSHA. Sign has open bottom providing light on exit area while illuminating the panel

| EXIT SIGN | |
|----------------|--|
| CATALOG NUMBER | DESCRIPTION |
| HEXA-100 | Fits EMI15, EMI20, EQF/EEQ Series without guard * (Fixture not included) |

* EQF to 42W



| REPLACEMENT FLUORESCENT LAMPS | |
|-------------------------------|--------------|
| CATALOG NUMBER | SIZE & TYPE |
| MQL26 | 26W Quad-Pin |
| MQL32 | 32W Quad-Pin |
| MQL42 | 42W Quad-Pin |



Replacement Globe & Support Assemblies

| REPLACEMENT GLOBE AND GLOBE SUPPORTS | | | |
|--------------------------------------|--------|-------------------------|--------------|
| CATALOG NUMBER ^① | SERIES | LAMP TYPE | MAX. WATTAGE |
| EMGS1 | EMI15 | INC | 150 |
| | EMI20 | INC | 300 |
| | EQF | PL Quad-Pin Fluorescent | 26, 32, 42 |
| EMGS2 ^② EMGS3 | EMI30 | INC | 300 |
| | EMS | HPS | 150 |
| | EMH | MH | 100 |
| | EQF | PL Quad-Pin Fluorescent | 52, 64, 84 |

① EMGS1, EMGS3 are internally fluted glass.

② EMGS2 is smooth clear glass used for ESX strobe.



EM Series

| REPLACEMENT SOCKETS | |
|---------------------|----------------------------|
| CATALOG NUMBER | DESCRIPTION |
| EMRS | EM Series E-26 Medium Base |



Female EZTB



Male EZCB

| REPLACEMENT CONNECTION BLOCKS | |
|-------------------------------|-------------|
| CATALOG NUMBER | DESCRIPTION |
| EZTB | Female |
| EZCB | Male |

| COLORED GLOBE KITS FOR HAZARDOUS LOCATIONS ^③ | |
|---|-------------|
| KIT NO. | GLOBE COLOR |
| KT-100SU41R | RED |
| KT-100SU41G | GREEN |

Used to modify EMI20 Series only fixtures to accept a colored inner globe. The kit includes the globe plus an adapter assembly and mounting instructions.

③ Maximum lamp size A-21 150 Watt.



BALLAST DATA

| EM/EB BALLAST DATA | | | | | | | | |
|----------------------|-----------------|--------------------|--------------|-------------------|-------------|-----------------|-------------------------------------|---------------|
| LAMP SOURCE | LAMP WATTS/TYPE | VOLTAGE @ 60 HERTZ | START (AMPS) | OPERATING (AMPS) | OPEN (AMPS) | BALLAST CIRCUIT | REGULATION | MIN, START |
| Quad-Pin Fluorescent | 26W | 120-277 | — | .24(120)/.11(277) | — | HPF | ELECTRONIC | 0°F (-18°C) |
| | 32W | | | .31(120)/.13(277) | | | | |
| | 42W | | | .38(120)/.18(277) | | | | |
| Quad-Pin Fluorescent | 52W (2X26) | 120-277 | — | .48(120)/.22(277) | — | HPF | ELECTRONIC | 0°F (-18°C) |
| | 64W (2X36) | | | .62(120)/.26(277) | | | | |
| | 84W (2X42) | | | .76(120)/.36(277) | | | | |
| HPS | 35W S-76 | 120 | 0.55 | 0.4 | 0.65 | R-HPF ① | ±5% Line Voltage* | 0°F (-40°C) |
| HPS | 50W S-68 | 120 | 0.58 | 0.58 | 1.24 | HX-HPF ① | ±5% Line Voltage* | 40°F (-40°C) |
| | | 208 | 0.35 | 0.33 | 0.59 | | | |
| | | 240 | 0.3 | 0.29 | 0.5 | | | |
| | | 277 | 0.24 | 0.25 | 0.44 | | | |
| HPS | 70W S-62 | 120 | 0.75 | 0.81 | 1.45 | HX-HPF ① | ±5% Line Voltage* | 40°F (-40°C) |
| | | 208 | 0.45 | 0.47 | 0.85 | | | |
| | | 240 | 0.37 | 0.4 | 0.75 | | | |
| | | 277 | 0.35 | 0.35 | 0.65 | | | |
| HPS | 100W S-54 | 120 | 1.3 | 1.15 | 2.2 | HX-HPF ① | ±5% Line Voltage* | 40°F (-40°C) |
| | | 208 | 0.76 | 0.66 | 1.27 | | | |
| | | 240 | 0.66 | 0.57 | 1.1 | | | |
| | | 277 | 0.6 | 0.49 | 0.85 | | | |
| HPS | 150W S-55 | 120 | 2.2 | 1.5 | 2.35 | HX-HPF ① | ±5% Line Voltage* | 40°F (-40°C) |
| | | 208 | 0.87 | 0.6 | 1.16 | | | |
| MH | 50W M-110 | 120 | 0.51 | 0.35 | 0.67 | HX-HPF ① | ±5% Line Voltage ±12% Lamp Watts | -20°F (-30°C) |
| | | 208 | 0.47 | 0.3 | 0.57 | | | |
| | | 240 | 0.39 | 0.25 | 0.5 | | | |
| | | 277 | 0.8 | 0.85 | 1.7 | | | |
| MH | 70W M-98 | 120 | 0.5 | 0.5 | 1.04 | HX-HPF ① | ±5% Line Voltage ±12% Lamp Watts | -20°F (-30°C) |
| | | 208 | 0.43 | 0.43 | 0.87 | | | |
| | | 240 | 0.39 | 0.37 | 0.78 | | | |
| | | 277 | 1.2 | 1.15 | 2.3 | | | |
| MH | 100W M-90 | 120 | 0.7 | 0.6 | 1.3 | HX-HPF ① | ±5% Line Voltage ±12% Lamp Watts | -20°F (-30°C) |
| | | 208 | 0.61 | 0.55 | 1.1 | | | |
| | | 240 | 0.55 | 0.45 | 0.95 | | | |
| | | 277 | 0.55 | 0.45 | 0.95 | | | |

* Lamp watts within ANSI Trapezoid limitations.

① Ballast circuits are High Power Factor 90%+.

LIGHTING

EM/EQ/ESX/EEQ SERIES



DIMENSIONS



Pendant



Ceiling



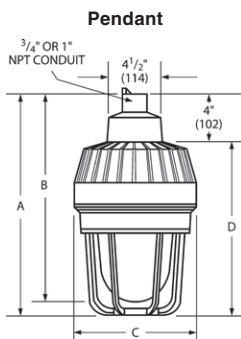
Wall



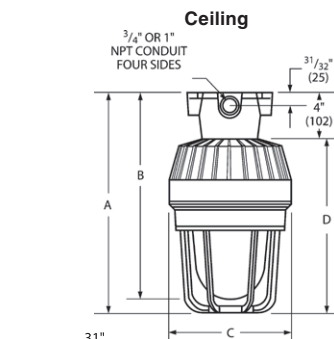
Stanchion

FEATURES-SPECIFICATIONS

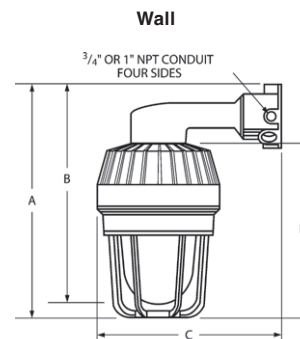
| EM/ EMB /ESX DIMENSIONS | | | | | | | | | | | | | | | |
|-------------------------|-----------|-----------|----------|-----------|-----------|-----------|----------|-----------|-----------|-----------|---------|-----------|-----------|---------|---------|
| SERIES | PENDANT | | | | CEILING | | | | WALL | | | | STANCHION | | |
| | A | B | C | D | A | B | C | D | A | B | C | D | A | B | C |
| EMI15 | 14-5/16" | 13-11/16" | 7-7/16" | 10-5/16" | 14-5/16" | 13-11/16" | 7-7/16" | 10-5/16" | 15-13/16" | 14-7/16" | 14-1/2" | 10-5/16" | 14" | 13-1/4" | 13" |
| EMI20 | (363) | (346) | (188) | (261) | (363) | (347) | (188) | (261) | (385) | (366) | (369) | (26) | (256) | (337) | (330) |
| EQF to 42W | 16-13/16" | 16-3/16" | 7-7/16" | 12-5/8" | 16-13/16" | 16-3/16" | 7-7/16" | 12-5/8" | 18-5/16" | 16-15/16" | 14-1/2" | 12-5/8" | 16-1/4" | 15-3/4" | 15-1/4" |
| EEQ | (427) | (411) | (188) | (321) | (427) | (411) | (188) | (321) | (465) | (430) | (368) | (321) | (413) | (400) | (387) |
| EMI30 | | | | | | | | | | | | | | | |
| EMH | | | | | | | | | | | | | | | |
| EMS | 15-15/16" | 15-1/16" | 8-13/16" | 11-15/16" | 15-15/16" | 15-1/16" | 8-13/16" | 11-15/16" | 16-13/16" | 15-13/16" | 15" | 11-15/16" | 15-1/8" | 14" | 13-1/2" |
| ESX | (404) | (382) | (224) | (303) | (404) | (382) | (224) | (303) | (426) | (404) | (379) | (303) | (384) | (356) | (343) |
| EQF 52, 64, 84 | | | | | | | | | | | | | | | |



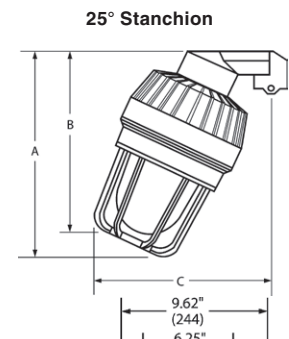
Pendant



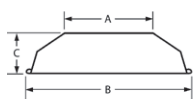
Ceiling



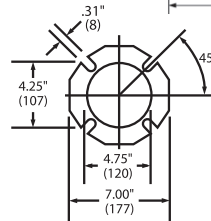
Wall



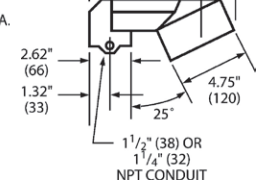
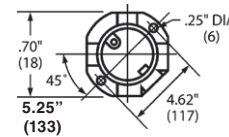
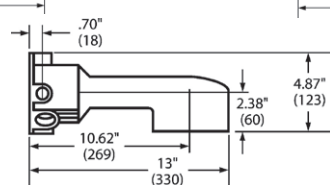
25° Stanchion



Standard Dome



Angle



| REFLECTOR DIMENSIONS | | | | | | | |
|----------------------|---------------|---------|----------|--------|----------|--------|------|
| SERIES | STANDARD DOME | | | ANGLE | | | |
| | A | B | C | A | B | C | D |
| EMI15/EMI20 | 7-3/8" | 14" | 3-3/4" | 7" | 11-1/2" | 7-3/4" | 1" |
| EQF to 42W | (187) | (356) | (95) | (178) | (292) | (197) | (25) |
| EMI30/EMS | 8-3/4" | 16-1/8" | 3-15/16" | 8-3/4" | 14-3/16" | 7-3/4" | 1" |
| EMH | (222) | (409) | (100) | (222) | (360) | (197) | (25) |
| EQF 52, 64, 84 | | | | | | | |



APPLICATION DATA



CEN Option

Applications

Killark EM/EB/ESX series fixtures are available with a European “Certificate of Conformity” from PTB (Physikalisch-Technische Bundesanstalt), the approval agency based in Germany. Fixtures with this rating will be useful for Original Equipment Manufacturers and others who build and ship apparatus into European markets.

This approval is granted by PTB with the use of a special ground lug and label. Fixtures carrying an EEx d IIB approval are automatically granted an IP54 (ingress protection) rating. See Temperature Code chart below for PTB certified ratings. Killark EM/EB/ESX fixtures with the PTB rating and labels still carry all UL & CSA ratings.

Fixture housing/globe/globe support assemblies (e.g. EM120 CEN) may be ordered with the CEN suffix. Complete fixture numbers, with the CEN suffix, will be shipped with the mounting boxes, guards and accessories as component parts. Reflectors and other accessory parts, as listed on page L146, may be used. Killark fixtures are NPT tapped and plugged with at least one conduit hole open.

Compliances

- EN 50014:1992

- EN 50018:1994

EEx d IIB T6 (or T5-T2)

PTB No. Ex-98.E.1076



| EM/EB/EQ HAZARDOUS LOCATION DATA – CLASS I, DIV. 1 & 2 ①② | | | | | | | |
|---|---------------------|------------|------------------|----------------------------------|--------------------------------|---------------|-----|
| FITURE SERIES | LAMP TYPE/SIZE MAX. | LAMP WATTS | RATED AMBIENT °C | SUPPLY WIRE SUITABLE FOR °C MIN. | CLASS I, DIVISIONS 1 & 2 | | |
| | | | | | MAXIMUM SURFACE TEMPERATURE °C | | |
| | | | | | UL/CSA | | |
| WITH OR WITHOUT REFLECTOR | | | | | | | |
| | | | | TEMP. I.D. | ACTUAL TEMP. | UL/CSA GROUPS | |
| EMI15 | INC A-19 | 60 | 40 | 75 | T6 | 79 | C.D |
| | | | 55 | 75 | T6 | | C.D |
| | | | 65 | 75 | T4A | | C.D |
| EMI15 | INC A-19 | 75 | 40 | 75 | T4A | 103 | C.D |
| | | | 55 | 90 | T4A | | C.D |
| | | | 65 | 90 | T4 | | C.D |
| EMI15 | INC A-19 | 100 | 40 | 75 | T4A | 103 | C.D |
| | | | 55 | 90 | T4A | | C.D |
| | | | 65 | 90 | T4 | | C.D |
| EMI15 | INC A-21 | 100 | 40 | 75 | T4A | 101 | C.D |
| | | | 55 | 90 | T4A | | C.D |
| | | | 65 | 90 | T4 | | C.D |
| EMI15 | INC A-21 | 150 | 40 | 75 | T4 | 123 | C.D |
| | | | 55 | 90 | T3C | | C.D |
| | | | 65 | 90 | T3C | | C.D |
| EMI20 | INC A-23 | 100 | 40 | 90 | T4A | 107 | C.D |
| | | | 55 | 90 | T4 | | C.D |
| | | | 65 | 90 | T4 | | C.D |
| EMI20 | INC A-23 | 150 | 40 | 90 | T4 | 132 | C.D |
| | | | 55 | 90 | T3C | | C.D |
| | | | 65 | 125 | T3C | | C.D |
| EMI20 | INC PS-25 | 150 | 40 | 90 | T4 | 126 | C.D |
| | | | 55 | 125 | T3C | | C.D |
| | | | 65 | 125 | T3C | | C.D |
| EMI20 | INC A-23 | 200 | 40 | 90 | T3C | 146 | C.D |
| | | | 55 | 90 | T3B | | C.D |
| | | | 65 | 125 | T3A | | C.D |
| EMI20 | INC PS-25 | 200 | 40 | 90 | T3C | 154 | C.D |
| | | | 55 | 90 | T3A | | C.D |
| | | | 65 | 125 | T3A | | C.D |
| EMI20 | INC PS-25 | 300 | 40 | 90 | T3 | 190 | C.D |
| | | | 55 | 125 | T2D | | C.D |
| | | | 65 | | | | C.D |
| EMI30 | INC PS-25 | 200 | 40 | 125 | T3C | 146 | C.D |
| | | | 55 | 125 | T3B | | C.D |
| | | | 65 | 125 | T3A | | C.D |
| EMI30 | INC PS-25 | 300 | 40 | 125 | T3C | 143 | C.D |
| | | | 55 | 125 | T3B | | C.D |
| | | | 65 | 125 | T3A | | C.D |
| EMI30 | INC PS-30 | 200 | 40 | 125 | T3C | 146 | C.D |
| | | | 55 | 125 | T3B | | C.D |
| | | | 65 | 125 | T3A | | C.D |
| EMI30 | INC PS-30 | 300 | 40 | 125 | T3C | 146 | C.D |
| | | | 55 | 125 | T3B | | C.D |
| | | | 65 | 125 | T3A | | C.D |
| EQF26 | 1 26W Quad-Pin | 26 | 40 | 75 | T6 | 75 | C.D |
| EQF32 | 1 32W Quad-Pin | 32 | 40 | 75 | T6 | 75 | C.D |
| EQF42 | 1 42W Quad-Pin | 42 | 40 | 75 | T6 | 75 | C.D |
| EQF52 | 2 26W Quad-Pin | 52 | 40 | 75 | T6 | 85 | C.D |
| EQF64 | 2 32W Quad-Pin | 64 | 40 | 75 | T6 | 85 | C.D |
| EQF84 | 2 42W Quad-Pin | 84 | 40 | 75 | T6 | 85 | C.D |
| EMS35 | ED17/S-76 | 35 | 40 | 75 | T6 | 65 | C.D |
| | | | 55 | 90 | T5 | | C.D |
| | | | 65 | 90 | T4A | | C.D |
| EMS05 | ED17/S-68 | 50 | 40 | 75 | T6 | 68 | C.D |
| | | | 55 | 75 | T6 | | C.D |
| | | | 65 | 90 | T5 | | C.D |
| EMS07 | ED17/S-62 | 70 | 40 | 75 | T6 | 83 | C.D |
| | | | 55 | 90 | T5 | | C.D |
| | | | 65 | 90 | T4A | | C.D |
| EMS100 | ED17/S-54 | 100 | 40 | 75 | T5 | 99 | C.D |
| | | | 55 | 90 | T4A | | C.D |
| | | | 65 | 125 | T4A | | C.D |
| EMS151 | ED17/S-55 | 150 | 40 | 75 | T4A | 119 | C.D |
| | | | 55 | 90 | T4 | | C.D |
| | | | 65 | 125 | T3C | | C.D |
| EMH05 | BD17/M-110 | 50 | 40 | 75 | T6 | 78 | C.D |
| | | | 55 | 90 | T5 | | C.D |
| | | | 65 | 125 | T4A | | C.D |
| EMH07 | BD17/M-98 | 75 | 40 | 75 | T5 | 95 | C.D |
| | | | 55 | 90 | T4A | | C.D |
| | | | 65 | 125 | T4A | | C.D |
| EMH100 | BD17/M-90 | 100 | 40 | 75 | T4A | 101 | C.D |
| | | | 55 | 90 | T4 | | C.D |
| | | | 65 | 125 | T3C | | C.D |

① Do not install where marked operating temperature exceeds ignition temperature of hazardous atmosphere.

② See Class II table for simultaneous presence ratings.

MAXIMUM AMBIENT TEMPERATURE RANGE -20°C TO 40°C

| TYPE OF LUMINAIRE | TYPE OF ENCLOSURE | FORM OF THE LAMP | MAXIMUM WATTAGE | TEMP. CLASS |
|-------------------|-------------------|------------------|-----------------|-------------|
| EMI15 | EMx20 | A-19/A-21 | 150W | T4 |
| EMI20 | EMx20 | A-23/PS-25 | 300W | T3 |
| EMI30 | EMx30 | PS-25/PS-30 | 300W | T2 |
| EMH05 | EMx30 | BD17/M-110 | 50W | T6 |
| EMH07 | EMx30 | BD17/M-98 | 70W | T5 |
| EMH10 | EMx30 | BD17/M-90 | 100W | T4 |
| EMS35 | EMx30 | ED17/S-76 | 35W | T6 |
| EMS05 | EMx30 | ED17/S-68 | 50W | T6 |
| EMS07 | EMx30 | ED17/S-62 | 70W | T5 |
| EMS10 | EMx30 | ED17/S-54 | 100W | T5 |
| EMS15 | EMx30 | ED17/S-55 | 150W | T4 |
| ESXx120 | EMx30 | 120V AC | 0.17 A | T6 |
| ESXx240 | EMx30 | 240V AC | 0.12 A | T6 |
| ESXx1274 | EMx30 | 12 TO 74 V DC | 1.25 TI 0.2 A | T6 |

LIGHTING



APPLICATION DATA

| EM/EB/EQ HAZARDOUS LOCATION DATA – CLASS II, III, DIVISIONS 1 & 2 ①② | | | | | | | | | | | | | | | | | |
|--|---------------------|------------|------------------|--------------------------------------|---|-----------------|-----------------------|-----------------|---------------|---|------------------|------------------------------|--------------------------|-----------------------------|-----|-----|-----|
| FIXTURE SERIES | LAMP TYPE/SIZE MAX. | LAMP WATTS | RATED AMBIENT °C | SUPPLY WIRE SUITABLE FOR °C HOSEMIN. | CLASS II, DIV. 1 & 2 MAXIMUM SURFACE TEMPERATURE °C | | | | UL/CSA GROUPS | CLASS III DIV. 1 & 2 UL/CSA SUITABILITY | UL MARINE LISTED | U.L. PAINT SPRAY SUITABILITY | UL/CSA TYPE (RAIN-TIGHT) | UL/CSA TYPE 4 (HOSE-DOWN) ③ | | | |
| | | | | | UL/CSA WITHOUT REFLECTOR | | UL/CSA WITH REFLECTOR | | | | | | | | | | |
| | | | | | TEMP. I.D. | ACTUAL TEMP. °C | TEMP. I.D. | ACTUAL TEMP. °C | | | | | | | | | |
| EMI15 | INC A-19 | 60 | 40 | 75 | T3C | 132 | T3C | 132 | E,F,G | YES | YES | NO | YES | YES | | | |
| | | | 55 | 75 | T3A | | | | E,F | NO | YES | NO | YES | YES | | | |
| | | | 65 | 75 | T3A | | | | E,F | | | | | | | | |
| EMI15 | INC A-19 | 75 | 40 | 75 | T3A | 163 | T3A | 162 | E,F | NO | YES | NO | YES | YES | | | |
| | | | 55 | 90 | T3A | | | | E,F | NO | YES | NO | YES | YES | | | |
| | | | 65 | 90 | T3A | | | | E,F | NO | YES | NO | YES | YES | | | |
| EMI15 | INC A-19 | 100 | 40 | 75 | T3A | 163 | T3A | 162 | E,F | NO | YES | NO | YES | YES | | | |
| | | | 55 | 90 | T3A | | | | E,F | NO | YES | NO | YES | YES | | | |
| | | | 65 | 90 | T3A | | | | E,F | NO | YES | NO | YES | YES | | | |
| EMI15 | INC A-21 | 100 | 40 | 75 | T3A | 172 | T3A | 172 | E,F | NO | YES | NO | YES | YES | | | |
| | | | 55 | 90 | T3 | | | | E,F | NO | YES | NO | YES | YES | | | |
| | | | 65 | 90 | T3 | | | | E,F | NO | YES | NO | YES | YES | | | |
| EMI15 | INC A-21 | 150 | 40 | 75 | N/A | 192 | T3 | 192 | E,F | NO | YES | NO | YES | YES | | | |
| | | | 55 | | N/A | | | | | | | | | | | | |
| | | | 65 | | N/A | | | | | | | | | | | | |
| EMI20 | INC A-23 | 100 | 40 | 90 | T3A | 166 | T3A | 166 | E,F | NO | YES | NO | YES | YES | | | |
| | | | 55 | 90 | T3 | | | | E,F | NO | YES | NO | YES | YES | | | |
| | | | 65 | | N/A | | | | | | | | | | | | |
| EMI20 | INC A-23 | 150 | 40 | 90 | T3 | 196 | T3A | 178 | E,F | NO | YES | NO | YES | YES | | | |
| | | | 55 | 90 | T3 | | | | E,F | NO | YES | NO | YES | YES | | | |
| | | | 65 | | N/A | | | | | | | | | | | | |
| EMI20 | INC PS-25 | 150 | 40 | 90 | N/A | N/A | N/A | N/A | NO | NO | YES | NO | YES | YES | | | |
| | | | 55 | | N/A | | | | | | | | | | | | |
| | | | 65 | | N/A | | | | | | | | | | | | |
| EMI20 | INC A-23 | 200 | 40 | 90 | N/A | N/A | N/A | N/A | NO | NO | YES | NO | YES | YES | | | |
| | | | 55 | | N/A | | | | | | | | | | | | |
| | | | 65 | | N/A | | | | | | | | | | | | |
| EMI20 | INC PS-25 | 200 | 40 | 90 | N/A | N/A | N/A | N/A | NO | NO | YES | NO | YES | YES | | | |
| | | | 55 | | N/A | | | | | | | | | | | | |
| | | | 65 | | N/A | | | | | | | | | | | | |
| EMI20 | INC PS-25 | 300 | 40 | 90 | N/A | N/A | N/A | N/A | NO | NO | YES | NO | YES | YES | | | |
| | | | 55 | | N/A | | | | | | | | | | | | |
| | | | 65 | | N/A | | | | | | | | | | | | |
| EMI30 | INC PS-25 | 200 | 40 | 110 | N/A | N/A | N/A | N/A | NO | NO | YES | NO | YES | YES | | | |
| | | | 55 | | N/A | | | | | | | | | | | | |
| | | | 65 | | N/A | | | | | | | | | | | | |
| EMI30 | INC PS-25 | 300 | 40 | 110 | N/A | N/A | N/A | N/A | NO | NO | YES | NO | YES | YES | | | |
| | | | 55 | | N/A | | | | | | | | | | | | |
| | | | 65 | | N/A | | | | | | | | | | | | |
| EMI30 | INC PS-30 | 200 | 40 | 110 | N/A | N/A | N/A | N/A | NO | NO | YES | NO | YES | YES | | | |
| | | | 55 | | N/A | | | | | | | | | | | | |
| | | | 65 | | N/A | | | | | | | | | | | | |
| EMI30 | INC PS-30 | 300 | 40 | 110 | N/A | N/A | N/A | N/A | NO | NO | YES | NO | YES | YES | | | |
| | | | 55 | | N/A | | | | | | | | | | | | |
| | | | 65 | | N/A | | | | | | | | | | | | |
| EQF26 | 1 26W Quad-Pin | 26 | 40 | 75 | T4 | 135 | T4 | 135 | E,F,G | YES | NO | YES | YES | YES | | | |
| | | | EQF32 | 1 32W Quad-Pin | 32 | 40 | 75 | T4 | 135 | T4 | 135 | E,F,G | YES | NO | YES | YES | YES |
| | | | EQF42 | | | 1 42W Quad-Pin | 42 | 40 | 75 | T4 | 135 | T4 | 135 | E,F,G | YES | NO | YES |
| EQF52 | 2 26W Quad-Pin | 52 | 40 | | | | | 75 | T4 | 135 | T4 | 135 | E,F,G | YES | NO | YES | YES |
| EQF64 | | | 2 32W Quad-Pin | 64 | 40 | | | 75 | T4 | 135 | T4 | 135 | E,F,G | YES | NO | YES | YES |
| EQF84 | | | | | 2 42W Quad-Pin | 84 | 40 | 75 | T4 | 135 | T4 | 135 | E,F,G | YES | NO | YES | YES |
| EMS35 | HPS S-70 | 35 | | | | | 40 | 75 | T4A | 116 | T4A | 116 | E,F,G | YES | YES | YES | YES |
| | | | 55 | | | | N/A | | | | | | | | | | |
| | | | 65 | | N/A | | | | | | | | | | | | |
| EMS05 | HPS S-68 | 50 | 40 | 75 | T4A | 116 | T4A | 116 | E,F,G | YES | YES | YES | YES | YES | | | |
| | | | 55 | 75 | T4 | | | | E,F,G | | | | | | | | |
| | | | 65 | 90 | T3C | | | | E,F,G | | | | | | | | |
| EMS07 | HPS S-62 | 70 | 40 | 75 | T4A | 116 | T4A | 116 | E,F,G | YES | YES | YES | YES | YES | | | |
| | | | 55 | 90 | T4 | | | | E,F,G | YES | YES | YES | YES | YES | | | |
| | | | 65 | 90 | T3C | | | | E,F,G | YES | YES | YES | YES | YES | | | |
| EMS100 | HPS S-54 | 100 | 40 | 75 | T3B | 161 | T3B | 161 | E,F,G | YES | YES | NO | YES | YES | | | |
| | | | 55 | | N/A | | | | | | | | | | | | |
| | | | 65 | | N/A | | | | | | | | | | | | |
| EMS150 | HPS S-55 | 150 | 40 | 75 | T3A | 180 | T3B | 180 | E,F | NO | YES | NO | YES | YES | | | |
| | | | 55 | 90 | T3 | | | | E,F | NO | YES | NO | YES | YES | | | |
| | | | 65 | | N/A | | | | | | | | | | | | |
| EMH05 | MH M-110 | 50 | 40 | 75 | T4 | 121 | T4 | 121 | E,F,G | YES | YES | YES | YES | YES | | | |
| | | | 55 | 90 | T3C | | | | E,F | NO | YES | YES | YES | YES | | | |
| | | | 65 | 110 | T3B | | | | E,F,G | NO | YES | YES | YES | YES | | | |
| EMH07 | MH M-98 | 70 | 40 | 75 | T4 | 121 | T4 | 121 | E,F,G | YES | YES | YES | YES | YES | | | |
| | | | 55 | 90 | T3C | | | | E,F,G | YES | YES | YES | YES | YES | | | |
| | | | 65 | 110 | T3B | | | | E,F,G | YES | YES | YES | YES | YES | | | |
| EMH100 | MH M-90 | 100 | 40 | 75 | T3C | 153 | T3C | 153 | E,F,G | YES | YES | NO | YES | YES | | | |
| | | | 55 | 90 | T3A | | | | NO | YES | YES | NO | YES | YES | | | |
| | | | 65 | | N/A | | | | | | | | | | | | |

① Do not install where marked operating temperature exceeds ignition temperature of hazardous atmosphere.
 ② Fixtures rated for simultaneous presence as shown in Class II table (unless marked with N/A).
 ③ For UL-Marine and UL/CSA Type 4 listing add suffix "ML" to "EMI" Series fixture catalog number; standard on "EMS" and "EMH" series. Not available on "EQF" series.