

Twist-Lock® Devices  
 30A, 125/250V AC, 3 Pole, 4 Wire Grounding  
 Watertight Safety-Shroud® Reverse  
 Service Flanged Inlet

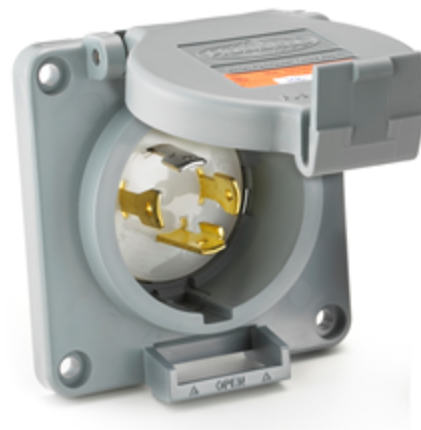
# HUBBELL

## Features

- UL type 4X environmental seal while in use and when closed
- High impact, thermoplastic housing for heavy-duty industrial environments
- Alignment arrows with lock and unlock symbols provide a visual indication that devices are properly connected
- Catalog number and color coded voltage rating are visible even when in use

## Ordering Information

Description	Device Color	UPC	Catalog Number
Gray PBT housing and flange	Gray		HBL2715SWR



## Listings

Listed to UL 498  
 Fed.Spec. W-C-596  
 Certified to CSA Standard No.42  
 UL Listed, CSA Certified to Type 4, 4X and Type 12

## Specifications

Housing	PBT
Blades	Brass
Terminal Retainer	Clear polycarbonate
Terminal Screws	#10-32 Brass (Phillips / Slotted / Robertson)

## Performance

### Electrical

Current Interrupting Certified for current interrupting at full rated current  
 Dielectric Voltage Withstands 2,000V minimum

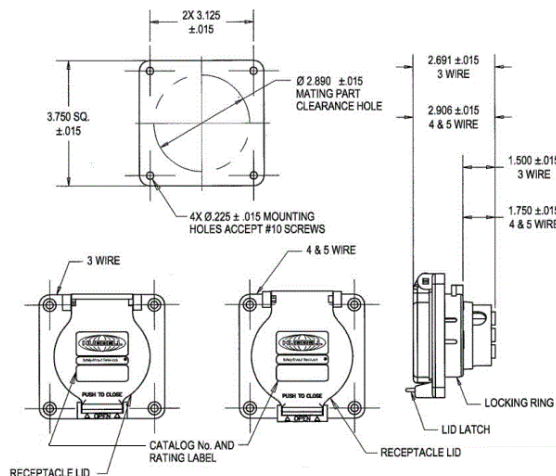
### Mechanical

Terminal Accommodation #16 AWG - #8 AWG solid or stranded copper wire only.

Terminal Identification Terminals identified in accordance with UL 498

### Environmental

Flammability V0 per UL94 or CSA 22.2 No.0.17  
 Moisture Resistance Type 4, 4X, 12, IP66 suitability  
 Operating Temperatures Maximum Continuous 75°C Minimum -40°C (w/o impact)



## Accessories

Watertight Safety Shroud Reverse Service Connector	HBL2713SR
Non-Metallic Backbox	BB2030N
2-Gang Weatherproof Box	HBL2030AP
Adapter Plate	
Mechanical Interlock	HBLMITL

## Resources

Customer Use Drawing  
 eCatalog

Dimensions in Inches (mm)

Hubbell Wiring Device-Kellems • Hubbell Incorporated (Delaware) • 40 Waterview Drive • Shelton, CT 06484

Phone (800) 288-6000 • Fax (800) 255-1031 • Specifications subject to change without notice.

