

# Section H Ground Fault Products



## Index

Product	Page
<b>Extra Heavy Duty Industrial and Hospital Grade</b>	
Tamper-Resistant/Weather-Resistant GFCI Receptacles . . . . .	H-2
<b>Heavy Duty Commercial and Hospital Grade GFCI Receptacles</b>	
Tamper-Resistant/Weather-Resistant . . . . .	H-3
LED with Auto Grounding . . . . .	H-4
Pre-Wired/Leaded LED . . . . .	H-6
Tamper-Resistant/Weather-Resistant Pre-Wired/Leaded LED . . . . .	H-6
<b>Heavy Duty Commercial and Hospital Grade “U.S.A. Domestic End Product”</b>	
LED . . . . .	H-7
Tamper-Resistant/Weather-Resistant LED . . . . .	H-7
<b>SNAPConnect® GFCI Receptacles with Auto Grounding</b>	
Features and Benefits . . . . .	H-8
Tamper-Resistant/Weather-Resistant . . . . .	H-9
<b>GFCI Sensing Module – 50 Amp and Circuit Breakers</b>	H-10
<b>Portable Straight Blade GFCI Plugs</b>	H-11
<b>Portable Plug-in GFCI, GFCI Tester</b>	H-12
<b>Portable GFCI Line Cords</b>	H-13
<b>Portable GFCI Multiple Outlet</b>	H-16
<b>GFCI Module – 20 Amp</b>	H-16
<b>Hard Wired 30 Amp GFCI</b>	H-17
<b>Portable 30 Amp GFCI</b>	H-18



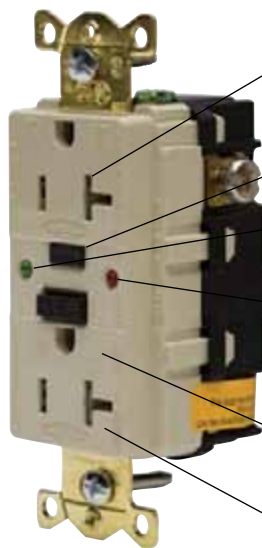
Ground Fault Products

# Extra Heavy Duty and Hospital Grade Tamper-Resistant GFCI Receptacles

15 and 20 Ampere, 125 Volts AC  
2 Pole, 3 Wire Grounding



Meets UL Standard  
Class A GFCI



GFR5362SGI

### 10kA Short Circuit Current Rating

Limits improper access to energized contacts

- Exclusive patented tamper-resistant protection through switching technology

Continually tests and monitors for people protection automatically

- Patented self test diagnostics

Power indication

- Steady "ON" GREEN LED provides indication of power

Ground fault indicator

- Steady "ON" RED LED provides visual indication of a ground fault condition; flashing red indicates device has lost capability to provide protection

No power at face if reverse wired

- Open circuit condition eliminates false assumption of protection at face

Durable face with V-0 flammability rating

- Polyester face cover



GFR5362SGI



GFR8300SGI



GFR5362ITR



GFR8300ITR

## AUTOGUARD™ Self Test GFCI Receptacles Tamper-Resistant, Weather Resistant



Description	Rating	Color	Catalog Number	
* Flush, polyester face, back and side wired, multiple drive screws.	15 and 20A 125V AC	Black	GFR5262SGBK	GFR5362SGBK
		Brown	GFR5262SG	GFR5362SG
		Gray	GFR5262SGGY	GFR5362SGGY
		Ivory	GFR5262SGI	GFR5362SGI
		Red	GFR5262SGR	GFR5362SGR
* Hospital Grade ● Flush, polyester face, back and side wired, multiple drive screws.	15 and 20A 125V AC	Black	GFR8200SGBK	GFR8300SGBK
		Brown	GFR8200SG	GFR8300SG
		Gray	GFR8200SGGY	GFR8300SGGY
		Ivory	GFR8200SGI	GFR8300SGI
		Red	GFR8200SGR	GFR8300SGR
		White	GFR5262SGW	GFR5362SGW
			GFR8200SGW	GFR8300SGW

## Circuit Guard® GFCI Receptacles Tamper-Resistant, Weather Resistant



Description	Rating	Color	Catalog Number	
* Flush, polyester face, back and side wired, multiple drive screws.	15 and 20A 125V AC	Black	GFR5262BKTR	GFR5362BKTR
		Brown	GFR5262TR	GFR5362TR
		Gray	GFR5262GYTR	GFR5362GYTR
		Ivory	GFR5262ITR	GFR5362ITR
		Red	GFR5262RTR	GFR5362RTR
* Hospital Grade ● Flush, polyester face, back and side wired, multiple drive screws.	15 and 20A 125V AC	Black	GFR8200BKTR	GFR8300BKTR
		Brown	GFR8200TR	GFR8300TR
		Gray	GFR8200GYTR	GFR8300GYTR
		Ivory	GFR8200ITR	GFR8300ITR
		Red	GFR8200RTR	GFR8300RTR
		White	GFR5262WTR	GFR5362WTR
			GFR8200WTR	GFR8300WTR

Note: GFCI type receptacles should not be used in critical care patient areas or for electrical life support equipment applications because of the possibility of power interruption. All GFCI receptacles listed above are furnished with both a matching color nylon wallplate, and a SS26 302/304 super stainless steel wallplate. 20 amp feed-through capability.

\* See Section X, page X-10 for TR and WR descriptions.





# Heavy Duty Commercial and Hospital Grade Tamper-Resistant GFCI Receptacles with Auto Grounding

15 and 20 Ampere, 125 Volts AC  
2 Pole, 3 Wire Grounding



GFTR20I

### 10kA Short Circuit Current Rating

Limits improper access to energized contacts  
 • Patented shutter design for tamper resistant protection

No power at face if reverse wired  
 • Open circuit condition eliminates false assumption of protection at face

Ground fault indicator  
 • Flashing **RED** indicates device has lost capability to provide protection

Accepts fork terminals  
 • Open terminal design

Installation ease  
 • Internal back wiring  
 • Automatic grounding feature  
 • Captive mounting screws

## Circuit Guard® GFCI Receptacles Tamper-Resistant, Weather Resistant



Description	Rating	Color	Catalog Number	
Flush, nylon face, back and side wired, multiple drive screws, automatic grounding clip.	15 and 20A 125V AC	Almond	GFTR15AL	GFTR20AL
		Black	GFTR15BK	GFTR20BK
		Brown	GFTR15	GFTR20
		Gray	GFTR15GY	GFTR20GY
		Ivory	GFTR15I	GFTR20I
		Light Almond	GFTR15LA	GFTR20LA
		Office White	GFTR15OW	GFTR20OW
		Red	GFTR15R	GFTR20R
		White	GFTR15W	GFTR20W



GFTR20I

## Circuit Guard® GFCI Receptacles Tamper-Resistant, Weather Resistant



Description	Rating	Color	Catalog Number	
Hospital Grade ● Flush, nylon face, back and side wired, multiple drive screws, automatic grounding clip.	15 and 20A 125V AC	Almond	GFR8200HALTR	GFR8300HALTR
		Black	GFR8200HBKTR	GFR8300HBKTR
		Brown	GFR8200HTR	GFR8300HTR
		Gray	GFR8200HGYTR	GFR8300HGYTR
		Ivory	GFR8200HITR	GFR8300HITR
		Light Almond	GFR8200HLATR	GFR8300HLATR
		Office White	GFR8200HOWTR	GFR8300HOWTR
		Red	GFR8200HRTR	GFR8300HRTR
		White	GFR8200HWTR	GFR8300HWTR



GFR8300HITR

Note: GFCI type receptacles should not be used in critical care patient areas or for electrical life support equipment applications because of the possibility of power interruption. All GFCI receptacles listed above are furnished with a matching color nylon wallplate. 20 amp feed-through capability.  
 \* See Section X, page X-10 for TR and WR descriptions.



# Ground Fault Products Heavy Duty Commercial and Hospital Grade GFCI Receptacles with Auto Grounding

15 and 20 Ampere, 125 Volts AC  
2 Pole, 3 Wire Grounding



Meets UL Standard  
Class A GFCI



GF15ILA

### 10kA Short Circuit Current Rating

#### Comprehensive diagnostics

- When test button is actuated, both the electronic components and mechanical trip mechanism are functionally tested

#### Ground fault indicator

- Flashing **RED** indicates device has lost capability to provide protection

#### No power at face if reverse wired

- Open circuit condition eliminates false assumption of protection at face

#### Installation ease

- Internal back wiring
- Automatic grounding feature
- Captive mounting screws



GF15ILA



GF20WLA



GFR8200HOWLA

## Circuit Guard® GFCI Receptacles



15A 125V  
NEMA 5-15R



20A 125V  
NEMA 5-20R

Description	Rating	Color	Catalog Number	
Flush, nylon face, back and side wired, multiple drive screws, automatic grounding clip.	15 and 20A 125V AC	Almond	<b>GF15ALLA</b>	<b>GF20ALLA</b>
		Black	<b>GF15BKLA</b>	<b>GF20BKLA</b>
	Brown	<b>GF15LA</b>	<b>GF20LA</b>	
	Gray	<b>GF15GYLA</b>	<b>GF20GYLA</b>	
	Ivory	<b>GF15ILA</b>	<b>GF20ILA</b>	
	Light Almond	<b>GF15LALA</b>	<b>GF20LALA</b>	
	Office White	<b>GF15OWLA</b>	<b>GF20OWLA</b>	
	Red	<b>GF15RLA</b>	<b>GF20RLA</b>	
	White	<b>GF15WLA</b>	<b>GF20WLA</b>	

## Hospital Grade ● Circuit Guard® GFCI Receptacles



15A 125V  
NEMA 5-15R



20A 125V  
NEMA 5-20R

Description	Rating	Color	Catalog Number	
Flush, nylon face, back and side wired, multiple drive screws, automatic grounding clip.	15 and 20A 125V AC	Almond	<b>GFR8200HALLA</b>	<b>GFR8300HALLA</b>
		Black	<b>GFR8200HBKLA</b>	<b>GFR8300HBKLA</b>
	Brown	<b>GFR8200HILA</b>	<b>GFR8300HILA</b>	
	Gray	<b>GFR8200HGYLA</b>	<b>GFR8300HGYLA</b>	
	Ivory	<b>GFR8200HILA</b>	<b>GFR8300HILA</b>	
	Light Almond	<b>GFR8200HLAA</b>	<b>GFR8300HLAA</b>	
	Office White	<b>GFR8200HOWLA</b>	<b>GFR8300HOWLA</b>	
	Red	<b>GFR8200HRLA</b>	<b>GFR8300HRLA</b>	
	White	<b>GFR8200HWLA</b>	<b>GFR8300HWLA</b>	

Note: GFCI type receptacles should not be used in critical care patient areas or for electrical life support equipment applications because of the possibility of power interruption. All GFCI receptacles listed above are furnished with a matching color nylon wallplate. 20 amp feed-through capability.

# Heavy Duty Commercial GFCI Receptacles with Auto Grounding

15 and 20 Ampere, 125 Volts AC  
2 Pole, 3 Wire Grounding



Meets UL S Class A GFCI



## Circuit Guard® Bulk Pack GFCI Receptacles

Description	Rating	Color	Catalog Number	
Flush, nylon face, back and side wired, multiple drive screws, automatic grounding clip. Bulk packed, (50 pieces without wallplate).	15 and 20A 125V AC	Almond	<b>GF15ALLABULK</b>	<b>GF20ALLABULK</b>
		Black	<b>GF15BKLABULK</b>	<b>GF20BKLABULK</b>
		Brown	<b>GF15LABULK</b>	<b>GF20LABULK</b>
		Gray	<b>GF15GYLABULK</b>	<b>GF20GYLABULK</b>
		Ivory	<b>GF15ILABULK</b>	<b>GF20ILABULK</b>
		Light Almond	<b>GF15LALABULK</b>	<b>GF20LALABULK</b>
		Office White	<b>GF15OWLABULK</b>	<b>GF20OWLABULK</b>
		Red	<b>GF15RLABULK</b>	<b>GF20RLABULK</b>
		White	<b>GF15WLABULK</b>	<b>GF20WLABULK</b>



## Circuit Guard® Faceless GFCI

Description	Rating	Color	Catalog Number
Faceless, nylon top, back and side wired, multiple drive screws, automatic grounding clip.	20A 125V AC	Almond	<b>GFBF20ALLA</b>
		Black	<b>GFBF20BKLA</b>
		Brown	<b>GFBF20LA</b>
		Gray	<b>GFBF20GYLA</b>
		Ivory	<b>GFBF20ILA</b>
		Light Almond	<b>GFBF20LALA</b>
		Office White	<b>GFBF20OWLA</b>
		Red	<b>GFBF20RLA</b>
		White	<b>GFBF20WLA</b>

Note: GFCI type receptacles should not be used in critical care patient areas or for electrical life support equipment applications because of the possibility of power interruption. All GFCI receptacles listed above are furnished with a matching color nylon wallplate.

## GFCI Receptacle Specifications per GFCI Products Listed (Pages H-2 to H-9)

Trip Level	4 to 6 mA.
Trip Time	.025 sec. nominal.
Frequency	60 Hz.
Voltage	120V AC +10% - 15%.
Amperage	15A/20A, 20A Feed Thru.
Maximum Interrupting Capacity	10,000A.
Operating Temperature	-35°C to 66°C or -30°F to 150°F.
Maximum Humidity	95%.
Listings and Standards	Meets UL498 for receptacles, UL943 Class A for GFCIs UL File E41978. CSA Certified.
Codes	Meets all NEC® and CEC requirements.

NEC® is a registered trademark of the National Fire Protection Association (NFPA).

# Ground Fault Products Pre-Wired/Leaded LED Heavy Duty Commercial GFCI Receptacles

15 and 20 Ampere, 125 Volts AC  
2 Pole, 3 Wire Grounding



Meets UL Standard  
Class A GFCI



## Applications



GF15WLAP1

### GFCI LED Pre-Wired/Leaded, #12 Solid Wire, 8 Inch Leads



Description	Rating	Color*	Catalog Number	
Impact resistant flush nylon face, automatic grounding clip, LED, 8" solid wire leads.	15 and 20A 125VAC	Gray	<b>GF15GYLAP1</b>	<b>GF20GYLAP1</b>
		Ivory	<b>GF15ILAP1</b>	<b>GF20ILAP1</b>
		White	<b>GF15WLAP1</b>	<b>GF20WLAP1</b>

Note: \* Consult factory for additional colors.



GF20GYLAP2

### GFCI LED Pre-Wired/Leaded, #12 Stranded Wire, 8 Inch Leads



Description	Rating	Color*	Catalog Number	
Impact resistant flush nylon face, automatic grounding clip, LED, 8" stranded wire leads.	15 and 20A 125VAC	Gray	<b>GF15GYLAP2</b>	<b>GF20GYLAP2</b>
		Ivory	<b>GF15ILAP2</b>	<b>GF20ILAP2</b>
		White	<b>GF15WLAP2</b>	<b>GF20WLAP2</b>

Note: \* Consult factory for additional colors.



GFTR15WP1

### GFCI LED Tamper and Weather Resistant Pre-Wired/Leaded, #12 Solid Wire, 8 Inch Leads



Description	Rating	Color*	Catalog Number	
* Tamper and Weather Resistant, impact resistant flush nylon face, automatic grounding clip, LED, 8" solid wire leads.	15 and 20A 125VAC	Gray	<b>GFTR15GYP1</b>	<b>GFTR20GYP1</b>
		Ivory	<b>GFTR15IP1</b>	<b>GFTR20IP1</b>
		White	<b>GFTR15WP1</b>	<b>GFTR20WP1</b>

Note: \* Consult factory for additional colors.



GFTR20BKP1

### GFCI LED Tamper and Weather Resistant Pre-Wired/Leaded, #12 Stranded Wire, 8 Inch Leads



Description	Rating	Color*	Catalog Number	
* Tamper and Weather Resistant, impact resistant flush nylon face, automatic grounding clip, LED, 8" stranded wire leads.	15 and 20A 125VAC	Gray	<b>GFTR15GYP2</b>	<b>GFTR20GYP2</b>
		Ivory	<b>GFTR15IP2</b>	<b>GFTR20IP2</b>
		White	<b>GFTR15WP2</b>	<b>GFTR20WP2</b>

Note: \* Consult factory for additional colors.



# “Buy American” LED Heavy Duty Commercial, Hospital Grade and Tamper-Resistant

15 and 20 Ampere, 125 Volts AC  
2 Pole, 3 Wire Grounding



Meets UL S  
Class A GFCI



## Applications



### GFCI LED “Buy American” Compliant, “U.S.A. Domestic End Product”



15A 125V  
NEMA 5-15R



20A 125V  
NEMA 5-20R

Description	Rating	Color	Catalog Number	
Impact resistant flush nylon face, back and side wired, automatic grounding clip, LED, assembled in the U.S.A.	15 and 20A 125VAC	Almond	<b>GF15ALLU</b>	<b>GF20ALLU</b>
		Black	<b>GF15BKLU</b>	<b>GF20BKLU</b>
		Brown	<b>GF15LU</b>	<b>GF20LU</b>
		Gray	<b>GF15GYLU</b>	<b>GF20GYLU</b>
		Ivory	<b>GF15ILU</b>	<b>GF20ILU</b>
		Light Almond	<b>GF15LALU</b>	<b>GF20LALU</b>
		Red	<b>GF15RLU</b>	<b>GF20RLU</b>
White	<b>GF15WLU</b>	<b>GF20WLU</b>		



GF15GYLU

### GFCI LED Hospital Grade ● “Buy American” Compliant, “U.S.A. Domestic End Product”



15A 125V  
NEMA 5-15R



20A 125V  
NEMA 5-20R

Description	Rating	Color	Catalog Number	
Hospital Grade ●, impact resistant flush nylon face, back and side wired, automatic grounding clip, LED, assembled in the U.S.A.	15 and 20A 125VAC	Almond	<b>GFR8200HALLU</b>	<b>GFR8300HALLU</b>
		Black	<b>GFR8200HBKLU</b>	<b>GFR8300HBKLU</b>
		Brown	<b>GFR8200HLU</b>	<b>GFR8300HLU</b>
		Gray	<b>GFR8200HGYLU</b>	<b>GFR8300HGYLU</b>
		Ivory	<b>GFR8200HILU</b>	<b>GFR8300HILU</b>
		Light Almond	<b>GFR8200HLALU</b>	<b>GFR8300HLALU</b>
		Red	<b>GFR8200HRLU</b>	<b>GFR8300HRLU</b>
White	<b>GFR8200HWLU</b>	<b>GFR8300HWLU</b>		



GFR8300HWLU

### GFCI LED Tamper and Weather Resistant “Buy American” Compliant, “U.S.A. Domestic End Product”



15A 125V  
NEMA 5-15R



20A 125V  
NEMA 5-20R

Description	Rating	Color	Catalog Number	
Tamper and Weather Resistant, impact resistant flush nylon face, back and side wired, automatic grounding clip, LED, assembled in the U.S.A.	15 and 20A 125VAC	Almond	<b>GFTR15ALU</b>	<b>GFTR20ALU</b>
		Black	<b>GFTR15BKU</b>	<b>GFTR20BKU</b>
		Brown	<b>GFTR15U</b>	<b>GFTR20U</b>
		Gray	<b>GFTR15GYU</b>	<b>GFTR20GYU</b>
		Ivory	<b>GFTR15IU</b>	<b>GFTR20IU</b>
		Light Almond	<b>GFTR15LAU</b>	<b>GFTR20LAU</b>
		Red	<b>GFTR15RU</b>	<b>GFTR20RU</b>
White	<b>GFTR15WU</b>	<b>GFTR20WU</b>		



GFTR20IU

### GFCI LED Hospital Grade ● Tamper and Weather Resistant “Buy American” Compliant, “U.S.A. Domestic End Product”



15A 125V  
NEMA 5-15R



20A 125V  
NEMA 5-20R

Description	Rating	Color	Catalog Number	
Hospital Grade ●, Tamper and Weather Resistant, impact resistant flush nylon face, back and side wired, automatic grounding clip, LED, assembled in the U.S.A.	15 and 20A 125VAC	Almond	<b>GFR8200HALTRU</b>	<b>GFR8300HALTRU</b>
		Black	<b>GFR8200HBKTRU</b>	<b>GFR8300HBKTRU</b>
		Brown	<b>GFR8200HTRU</b>	<b>GFR8300HTRU</b>
		Gray	<b>GFR8200HGYTRU</b>	<b>GFR8300HGYTRU</b>
		Ivory	<b>GFR8200HITRU</b>	<b>GFR8300HITRU</b>
		Light Almond	<b>GFR8200HLATRU</b>	<b>GFR8300HLATRU</b>
		Red	<b>GFR8200HRTRU</b>	<b>GFR8300HRTRU</b>
White	<b>GFR8200HWTRU</b>	<b>GFR8300HWTRU</b>		



GFR8300HLATRU





# Ground Fault Products SNAPConnect® Ground Fault Receptacles with Auto Grounding



Meets UL Stand  
Class A GFCI



## Features and Benefits

Combines attractive styling with accommodating functionality

- Large distinctive buttons for test and reset
- Green LED indicator for power on
- Ground Fault Protection Indicator – LED off, unit will not reset and no power

Requires minimal box space

- Compact, shallow design
- Added wiring space

Inspection of power contacts

- Clear terminal housing
- No exposed metal
- Fully insulated

Audible SNAP, indicates solid connection

- GFCI SNAPConnect® standard Hubbell three wire right angle pigtailed configuration
- Secure, easy grip latch
- Fast change out

Installation ease, lower labor cost

- Self-grounding clip
- Captive mounting screws
- Pre-stripped leads
- Provides protection against mis-wiring upon installation and if device is moved and reinstalled



GFR8300SNAPW

## SNAPConnect® Time Savings

Hubbell's new SNAPConnect® receptacles make installation fast, easy and consistent so you can complete projects sooner — *saving more than three minutes per device.*

- Consistent installation every time.
- Compact in wallbox.
- Meet deadlines.
  - No stripping
  - No looping
  - No terminals
  - No tape



Rough-in the SNAPConnect® terminal instead of pigtails.  
**Save One Minute!**



Remove protective packaging. Snap the duplex to the circuit.  
**Save Over Three Minutes!**



Tighten mounting screws, attach wallplate and trim out complete.  
**Less Than One Minute!**



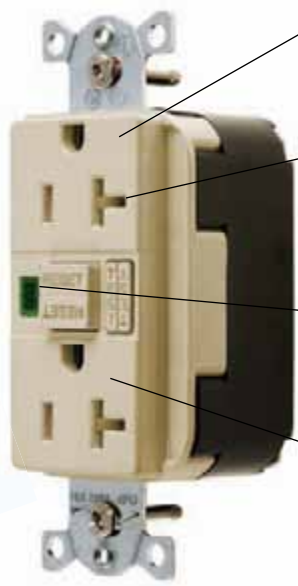


Ground Fault Products  
**SNAPConnect® “Buy American” LED  
 Commercial, Hospital Grade and  
 Tamper-Resistant with Auto Grounding**

15 and 20 Ampere, 125 Volts AC  
 2 Pole, 3 Wire Grounding



Meets UL S  
 Class A GFCI



**10kA Short Circuit Current Rating**  
 Federal Specification WC596

- Tamper-Resistant and Weather Resistant protection per NEC® meets two codes for the cost of one
- Patented shutter design for tamper resistant protection per NEC®, limits improper access to energized contacts
- Green LED indicator for power on Ground Fault Protection Indicator – LED off, unit will not reset and no power
- High Impact and ultraviolet resistant nylon face cover provides durability in harsh environments

GFR20SNAPI

**SNAPConnect® GFCI LED Tamper and Weather Resistant “Buy American” Compliant**



Description	Rating	Color	Catalog Number		
Tamper and Weather Resistant, impact resistant flush nylon face, SNAPConnect® modular GFCI requires pigtailed terminal below, sold separately. Assembled in the U.S.A.	15 and 20A 125VAC	Almond	GFR15SNAPAL	GFR20SNAPAL	
		Black	GFR15SNAPBK	GFR20SNAPBK	
			Brown	GFR15SNAP	GFR20SNAP
			Gray	GFR15SNAPGY	GFR20SNAPGY
			Ivory	GFR15SNAPI	GFR20SNAPI
			Light Almond	GFR15SNAPLA	GFR20SNAPLA
			Red	GFR15SNAPR	GFR20SNAPR
			White	GFR15SNAPW	GFR20SNAPW



GFR20SNAPI

**SNAPConnect® GFCI LED Hospital Grade ● Tamper and Weather Resistant “Buy American” Compliant**



Description	Rating	Color	Catalog Number		
Hospital Grade ● Tamper and Weather Resistant, impact resistant flush nylon face, SNAPConnect® modular GFCI requires pigtailed terminal below, sold separately. Assembled in the U.S.A.	15 and 20A 125VAC	Almond	GFR8200SNAPAL	GFR8300SNAPAL	
		Black	GFR8200SNAPBK	GFR8300SNAPBK	
			Brown	GFR8200SNAP	GFR8300SNAP
			Gray	GFR8200SNAPGY	GFR8300SNAPGY
			Ivory	GFR8200SNAPI	GFR8300SNAPI
			Light Almond	GFR8200SNAPLA	GFR8300SNAPLA
			Red	GFR8200SNAPR	GFR8300SNAPR
			White	GFR8200SNAPW	GFR8300SNAPW



GFR8300SNAPW

Note: \* See Section X, page X-10 for TR and WR descriptions.

**SNAPConnect® Right Angle Pigtailed Terminal “Buy American” Compliant**

Description	Catalog Number
Clear terminal with 6-inch leads solid wire.	SNAP1RNA
Clear terminal with 6-inch leads stranded wire.	SNAP2RNA



SNAP1RNA

NEC® is a registered trademark of the National Fire Protection Association (NFPA).

Dimensions in Inches (mm)

www.hubbell-wiring.com



Wiring Device-Kellems

H-9



# Ground Fault Products GFCI Sensing Module, 50A Maximum Rating - NEMA 4X

## Typical Applications Include:

Power Generators, Spas, High Pressure Washers, Power Centers, Refineries and Mobile Power.



The sensing module functions interdependently with a magnetic branch circuit breaker. The module monitors the electrical circuit by use of an external differential current transformer. No direct load is present at the module. In the event of a ground fault, the load is interrupted by way of the hydraulic magnetic circuit breaker utilizing a shunt trip coil.

This line of Sensing Modules is rated from 1 to 50 Amps and circuit current-carrying conductors from 1 to 3 poles.

Product is available with an automatic or manual "safe start" reset feature. The enclosure, when mounted with the supplied gasket, achieves a UL NEMA 4X Rating.

This module and breaker system is ideal for portable generator integration protecting all outlets on a generator.

This system meets the proposed requirements for generators Underwriters Laboratory Standard 2201.

UL/cUL 943 Listed, Class A 4-6mA trip level and UL 1053 Compliant.



**GFSM120M**



**GFSM240M**

## GFCI Sensing Module - 50A Maximum

Description	Catalog Number
120V AC Sensing Module Auto	<b>GFSM120A</b>
120V AC Sensing Module Manual	<b>GFSM120M</b>
240V AC Sensing Module Auto	<b>GFSM240A</b>
240V AC Sensing Module Manual	<b>GFSM240M</b>

## GFCI Sensing Module Circuit Breakers

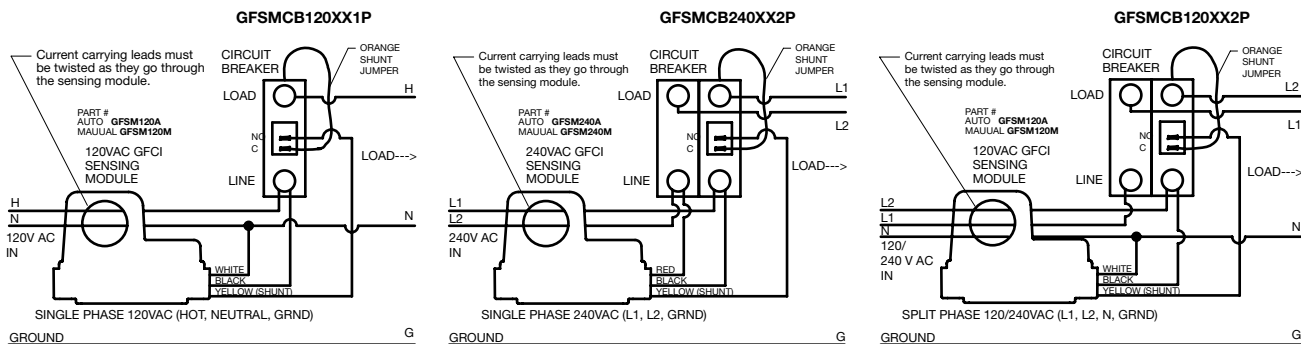
Catalog Number Configurator -  
Example Catalog Number: **GFSMCB120401P**

GFSMCB	120	40	1P
Ground Fault Sensing Module	120 Volt	1 thru 50 Amp	1P
Circuit Breaker	240 Volt		2P
	120/240 Volt		3P

Other Examples:  
**GFSMCB240502P:** 240V 50A 2P  
**GFSMCB240203P:** 240V 20A 3P



## Wiring Schematics





Ground Fault Products

# Straight Blade Portable GFCI Plugs

15 Ampere, 120 Volts AC  
2 Pole, 3 Wire Grounding

## Circuit Guard® Wired On Industrial Portable GFCI Plug

Description	Rating	Catalog Number
GFCI plug, manual set, black.	2 pole, 3 wire grounding, 15A, 125V, NEMA 5-15P.	<b>GFP5266C</b>
GFCI plug, manual set, yellow.	2 pole, 3 wire grounding, 15A, 125V, NEMA 5-15P.	<b>GFP5266CY</b>
GFCI plug with 1 foot line cord, manual set, yellow, with connector body.	2 pole, 3 wire grounding, 15A, 125V, NEMA 5-15P, NEMA 5-15R.	<b>GFP1C</b>



**GFP5266CY**

## Circuit Guard® Wired On Commercial Portable GFCI Plug

Description	Rating	Catalog Number
GFCI plug, automatic set field wireable, black.	2 pole, 3 wire grounding, 15A, 125V, NEMA 5-15P.	<b>GFP515A</b>
GFCI plug, manual set field wireable, black.	2 pole, 3 wire grounding, 15A, 125V, NEMA 5-15P.	<b>GFP515M</b>

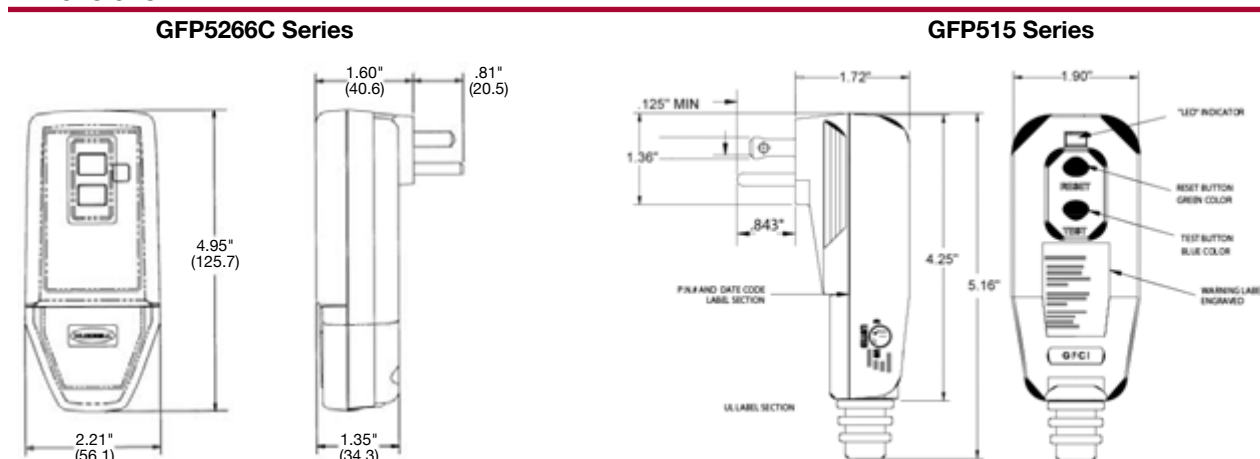


**GFP515A**

### Specifications

Trip Level	4 to 6 mA.
Trip Time	.025 sec. nominal.
Frequency	60 Hz.
Voltage	120V AC +10% – 15%. Incorporates no voltage release feature.
Amperage	15A.
Maximum Interrupting Capacity	2000A.
Operating Temperature	-35°C to 66°C or -30°F to 150°F.
Maximum Humidity	95%.
Housing	High-impact, UV stabilized material. UL 94V-0 flammability classification.
Input	NEMA 5-15P.
Cord Range	16/3 – 12/3 Type SJ, 18/3 – 12/3 Type S.
Cord Type: Length (GFP1C)	14/3 Type SJTW-A (UL), SJTW (CSA); 1 foot; NEMA 5-15R.
Power "ON" Indication	Indicator light.
Listings	Meets UL943 Class A Listed, CSA Certified.
Codes	Meets all NEC® and CEC requirements.

### Dimensions



NEC® is a registered trademark of the National Fire Protection Association (NFPA).





## Ground Fault Products

**Circuit Guard® Plug-In GFCI Portable and GFCI Tester**

15 Ampere, 120 Volts AC  
2 Pole, 3 Wire Grounding

**GFP315A****Circuit Guard® Plug-In GFCI Portable**

Description	Rating	Catalog Number
Three outlet plug-in.	15A, 120V AC	<b>GFP315A</b>

**Specifications****GFP315A**

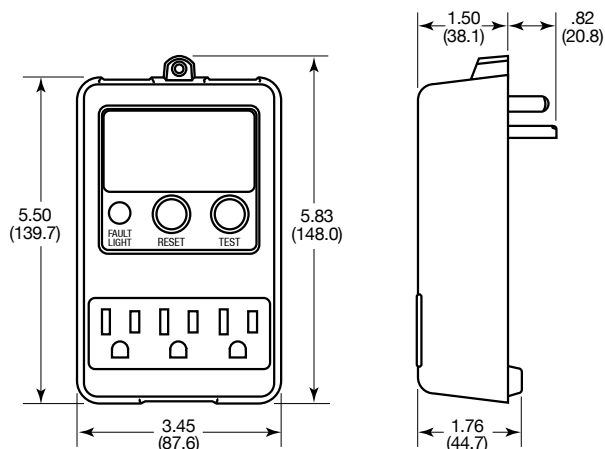
Trip Level	4 to 6 mA.
Trip Time	.025 sec. nominal.
Frequency	60 Hz.
Voltage	120V AC +10% - 15%. Incorporates no voltage release feature.
Current	15A.
Maximum Interrupting Capacity	2000A.
Operating Temperature	-35°C to 66°C or -30°F to 150°F.
Maximum Humidity	95%.
Housing	High-impact ABS.
Input	NEMA 5-15P.
Output	3 NEMA 5-15R.
Fault Indication	Indicator light.
Center Screw	For optional permanent mounting.
Listings and Standards	Meets UL498 for receptacles, UL943 Class A for GFCIs UL File E41978, CSA Certified.
Codes	Meets all NEC® and CEC requirements.

**GFCI Tester**

Description	Rating	Catalog Number
Ground fault tester.	120V AC	<b>GFT2G</b>

**GFT2G**

- Designed to measure the trip level of portable or "wired-in" GFCI's in a range of 2-7mA. Leakage level can be adjusted from 2-7mA.
- Will measure leakage level in small portable tools and appliances from 1-7mA.
- Ideal for measuring leakage level of GFCI breakers, GFCI portables and GFCI receptacles.

**Dimensions**

NEC® is a registered trademark of the National Fire Protection Association (NFPA).



## Circuit Guard® Set GFCI Line Cord

Portable GFCI Line Cords provide ground fault protection both indoors and out. They interrupt electrical power for equipment loads when leakage to ground is 4-6 milliamperes. Available in lengths of 18" (45.7 cm), 6' (182.9 cm), and 25' (762 cm).

A 15' (457.2 cm) OEM version with stripped leads is also available. They are offered with an Automatic Set or Manual Set feature to meet your application.

Available in Automatic Set with yellow base or Manual Set with black base.

All-glass circuit board provides superior moisture immunity

High impact UV stabilized housing resists dust, sunlight and chemicals for long life

Heavy-duty molded plug and connector for reliable connection

One-piece flush sealed keypads for greater reliability and resistance to damage due to impact

Solid (not formed) plug blades are crimped and soldered for a better connection and longer life

Bright fault indicator light provides fault confirmation from a distance

Watertight GFCI housing for use in harsh environments

Heavy-duty molded strain relief prevents conductor strain and resulting failure



GFP4C15M



# Ground Fault Products

## Portable GFCI Products

### Industrial Grade, Automatic and Manual Set GFCI Line Cords

**IP21**  
SUITABILITY



GFP4C15A

#### Circuit Guard® Automatic Set Portable GFCI Line Cords

Description	Catalog Number
18" (45.7 cm) GFCI line cord.	<b>GFP4C15A</b>
6' (182.9 cm) GFCI line cord.	<b>GFP6C15A</b>
25' (762.0 cm) GFCI line cord.	<b>GFP25C15A</b>
15' (457.2 cm) GFCI power supply cord with stripped leads.	<b>GFPOEMA*</b>



GFP3C20M

#### Circuit Guard® Manual Set Portable GFCI Line Cords

Description	Catalog Number	
	15A 120V AC	20A 120V AC
18" (45.7 cm) GFCI line cord.	<b>GFP4C15M</b>	-
3' (91.4 cm) GFCI line cord.	-	<b>GFP3C20M</b>
6' (182.9 cm) GFCI line cord.	<b>GFP6C15M</b>	-
25' (762.0 cm) GFCI line cord.	<b>GFP25C15M</b>	-
15' (457.2 cm) GFCI power supply cord with stripped leads.	<b>GFPOEMM*</b>	-
50' (1524.0 cm) GFCI power supply with Elastogrip® watertight straight blade.	<b>GFP50C15WM</b>	-
100' (3048.0 cm) GFCI power supply with Elastogrip watertight straight blade.	<b>GFP100C15WM</b>	-

Note: \* Total length is 15' 4.5" (468.6 cm) including leads: green 4.5" (114.3), black and white 3.5" (88.9). Each pre-stripped .375" (9.5).

#### Circuit Guard® Manual Set Twist-Lock Portable GFCI Line Cords

Description	Catalog Number	
	15A 120V AC	20A 120V AC
3' (91.4 cm) GFCI line cord.	<b>GFP3C15MTL</b>	<b>GFP3C20MTL</b>

#### Automatic Set GFCI

Automatically energizes or sets the GFCI for use upon plug in and after the loss of primary power (power failure or unplugging the device). After a ground fault condition, unit must be reset by pushing the reset button. This feature eliminates the need for unit to be reset each time it is plugged in or powered up. Ideal for equipment intended for continuous use where a temporary power failure is likely and undesirable. Examples are pumps, pressure washers, portable signs or lighting and engine heaters.

#### Manual Set GFCI

Requires the GFCI to be manually set for use by pressing the reset button upon plug in and after loss of primary power (power failure or unplugging the device). Must be manually reset after a ground fault condition. Ideal for applications where operator injury might occur if equipment were to restart after a power failure. Typical equipment includes power drills, saws, lathes and grinders.



GFPOEMM

	Straight Blade	Twist-Lock®
Input	15A NEMA 5-15P, 20A NEMA 5-20P.	15A NEMA L5-15P HBL47CM20C, 20A NEMA L5-20P HBL23CM11.
Output	15A NEMA 5-15R (except GFPOEMM), 20A NEMA 5-20R.	15A NEMA L5-15R HBL47CM29C, 20A NEMA L5-20R HBL23CM13.



GFP3C20MTL

#### Specifications

Portable GFCI Line Cords	
Trip Level	4 to 6 mA.
Trip Time	.025 sec. nominal.
Frequency	60 Hz.
Voltage	120V AC +10% - 15%. Incorporates no voltage release feature.
Current	15A/20A.
Maximum Interrupting Capacity	2000A.
Operating Temperature	-35°C to 66°C or -30°F to 150°F.
Maximum Humidity	95%.
Housing	High-impact, UV stabilized PVC. UL 94V-0 flammability classification. Meets UL and CSA watertight requirements. Adhesive bonded.
Cord Type	SJTW-A (UL), SJTW (CSA).
Visual Fault Indication Light On	Indicates fault.
Listing and Standards	Meets UL943 Class A, UL File E41978, CSA Certified.
Code	Meets all NEC® and CEC requirements.

NEC® is a registered trademark of the National Fire Protection Association (NFPA).







# Ground Fault Products

## Portable GFCI Products

### Commercial Grade, Automatic and Manual Set GFCI Line Cords

#### Circuit Guard®

##### Portable GFCI Single Outlet

15A 120V AC

Description	Catalog Number
2' (60.9 cm) GFCI line cord, automatic set.	GFP2CA
2' (60.9 cm) GFCI line cord, manual set.	GFP2CM
25' (762.0 cm) GFCI line cord, automatic set.	GFP25CA
25' (762.0 cm) GFCI line cord, manual set.	GFP25CM



GFP2CA

#### Circuit Guard®

##### Portable GFCI Triple Tap Outlet

15A 120V AC

Description	Catalog Number
2' (60.9 cm) GFCI line cord, automatic set.	GFP2TTA
2' (60.9 cm) GFCI line cord, manual set.	GFP2TTM
25' (762.0 cm) GFCI line cord, automatic set.	GFP25TTA
25' (762.0 cm) GFCI line cord, manual set.	GFP25TTM



GFP2TTA

#### Circuit Guard®

##### OEM Equipment Integrated Cord Sets

15A 120V AC

Description	Catalog Number
15' (457.2 cm) GFCI with flying leads, automatic set.	GFP15LA
15' (457.2 cm) GFCI with flying leads, manual set.	GFP15LM
35' (1066.8 cm) GFCI with flying leads, automatic set.	GFP35LA
35' (1066.8 cm) GFCI with flying leads, manual set.	GFP35LM



GFP15LA

##### 15A GFCI In Line GFCI – Single and Triple Tap

15A 120V AC

Description	Catalog Number
2' (60.9 cm), 5-15 single tap, automatic set.	GFPI15125A
2' (60.9 cm), 5-15 single tap, manual set.	GFPI15125M
2' (60.9 cm), 5-15 triple tap, automatic set.	GFPI15125TRIA
2' (60.9 cm), 5-15 triple tap, manual set.	GFPI15125TRIM



GFPI15125TRIM

##### 20A GFCI In Line GFCI – Locking

20A 120V AC

Description	Catalog Number
2' (60.9 cm), L5-20 locking, automatic set.	GFPI20125LKA
2' (60.9 cm), L5-20 locking, manual set.	GFPI20125LKM

##### 20A GFCI In Line GFCI – Locking

20A 250V AC

Description	Catalog Number
2' (60.9 cm), L6-20 locking, automatic set.	GFPI20250LKA
2' (60.9 cm), L6-20 locking, manual set.	GFPI20250LKM



GFPI20125LKA



GFPI20125LKM

## Specifications

### Portable GFCI Line Cords

Trip Level	4 to 6 mA.
Trip Time	.025 sec. nominal.
Frequency	60 Hz.
Voltage	120/250V AC +10% - 15%. Incorporates no voltage release feature.
Current	15A/20A.
Maximum Interrupting Capacity	2000A.
Operating Temperature	-35°C to 66°C or -30°F to 150°F.
Maximum Humidity	95%.
Housing	High-impact, UV stabilized PVC. UL 94V-0 flammability classification. Meets UL and CSA watertight requirements. Adhesive bonded.
Cord Type	#14 AWG SJTW-A (UL), SJTW (CSA).
Visual Fault Indication Light On	Indicates fault.
Listing and Standards	Meets UL943 Class A, UL File E41978. CSA Certified.
Code	Meets all NEC® and CEC requirements.

NEC® is a registered trademark of the National Fire Protection Association (NFPA).



## Ground Fault Products

**Portable GFCI Products****Multiple Outlet Portable GFCI and GFCI Module****IP21**  
SUITABILITY

GFP15M

**Multiple Outlet Portable GFCI**

Description	Rating	Receptacles	Plug	Catalog Number
4 outlet, manual set, yellow.	15A, 120V AC	2-Duplex 5-15R	NEMA 5-15P	<b>GFP15M</b>
4 outlet, manual set, yellow.	20A, 120V AC	2-Duplex 5-20R	NEMA 5-20P	<b>GFP20M</b>



GFM20

**GFCI Module - UL Type 3R Rated**

Description	Rating	Catalog Number
GFCI module, manual set, yellow.	20A, 120V AC, 60 Hz	<b>GFM20</b>
GFCI module, auto set, yellow.	20A, 120V AC, 60 Hz	<b>GFM20A</b>

**Specifications**

	<b>GFP15M / GFP20M</b>	<b>GFM20 / GFM20A</b>
Trip Level	4 to 6 mA.	4 to 6 mA.
Trip Time	.025 sec. nominal.	.025 sec. nominal.
Frequency	60 Hz.	60 Hz.
Voltage	120V AC +10% - 15%. No voltage release feature.	120V AC +10% - 15%. No voltage release feature.
Maximum Interrupting Capacity	5000A.	5000A.
Current	15A / 20A.	20A / 20A Feed-through.
Operating Temperature	-35°C to 66°C or -30°F to 150°F.	-35°C to 66°C or -30°F to 150°F.
Housing Rating	High-impact, yellow Valox® with protective lift covers.	High-impact, UV stabilized, rigid PVC. UL 94V-0 flammability classification. UL Type 3R Rated.
Input	5-15P, 15A / 5-20P, 20A. IP21 Suitability.	#12 AWG stranded conductors (black/white/green).
Output	5-15R(4), 15A / 5-20R(4), 20A.	#12 AWG stranded conductors (red/gray).
Power Supply Cord	6' (182.9 cm) STOW-A (STW FT2 CSA).	N/A.
Mounting Screws	N/A.	Self-tapping, combination, #6-32.
Power "ON" Indication	LED indicator light.	LED indicator light.
Agency Approvals	UL Listed, UL948 for receptacles. Meets UL943 Class A for GFCI's.	UL Listed, CSA Certified. Meets UL943 Class A for GFCI's.
Codes	Meets all NEC® and CEC requirements.	Meets all NEC® and CEC requirements.

Valox® is a trademark of SABIC Innovative Plastics, acquired from General Electric Company.  
NEC® is a registered trademark of the National Fire Protection Association (NFPA).

# Ground Fault Products

## Hard Wired 30 Ampere GFCI - NEMA 4X



### Applications

Power Generators  
Submersible Pumps  
Textile

Agricultural Equipment  
Cement Cutting Equipment  
Food Processing

Production Assembly Equipment  
Spa and Hot Tubs  
Vending Equipment



Automatic Reset GFCI



Manual Reset GFCI

### Circuit Guard® Hard Wired 30A GFCI - UL Type 4X Rated

Description	Voltage	Alarm	Manual Set	Automatic Set
Hard wired, manual set and automatic set GFCIs.	120V AC	None	<b>GFHW13005</b>	<b>GFHW13105</b>
	120V AC	Audible	<b>GFHW13015</b>	<b>GFHW13115</b>
	240V AC	None	<b>GFHW23005</b>	<b>GFHW23105</b>
	240V AC	Audible	<b>GFHW23015</b>	<b>GFHW23115</b>
	120/240V AC	Audible	<b>GFHW33015</b>	<b>GFHW33115</b>
	3Ø 250V AC	None	<b>GFHW530</b>	<b>GFHW531</b>
	3Ø 120/208V AC	None	<b>GFHW430</b>	<b>GFHW431</b>

Note: All units above are stock items.

### Specifications

#### Electrical Ratings

Rated Voltage	120V AC, 240V AC and 120/240V, 3Ø 250V AC, 3Ø 120/208V AC.
Operating Voltage Range	85% to 110%.
Current	Up to 30A or device rating.
Frequency	60 Hz.
Trip Level	4-6 mA.
Phase	Single.
Response Time	.025 sec. Max.
Dielectric Withstand	1500 VRMS across contact, 4000 VRMS between conductors and enclosure.
Surge Withstand	6000V impulse, 0.5 microseconds rise time 100kHz ringing frequency with 40% decay per cycle.
Let Go Line Voltage	60% of rated.
Grounded Neutral Detection	6 Ohms or less.
Power Up	Manual or automatic reset.

#### Environmental Ratings

Housing Rating	UL Type 4X.
Construction	Industrial grade design.
Type	Class A GFCI.
Operating Temperature	-35°C to 66°C, -30°F to 150°F.
Leakage Current @ 93% Humidity	Zero.

#### Features

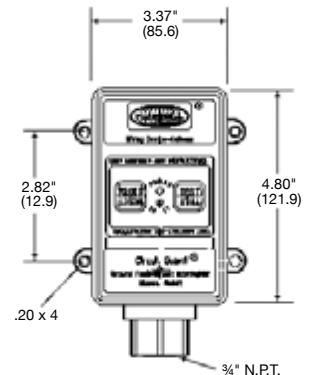
Life (Endurance)	10,000 cycles (6000 with load and 4000 without load). Open neutral protection Trips upon loss of neutral.
Grounded Neutral Protection	Trips if ground and neutral touch at load side.
Power On Indicator	Green light on.
Power Off Indicator	Red blinking light plus optional audible alarm.
Wiring Application	3 Wire Single Phase (Hot, Neutral and Ground), 4 Wire Single Phase (Line 1, Line 2, Neutral and Ground).
Switch Interface	Double Insulated.
Latching Mechanism	Electromagnetic.

#### Physical Specifications

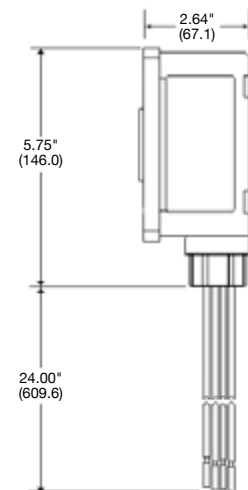
Wire Leads	#10 AWG, 24" long.
Unit Color	Gray with black cover.
Label Color on Portable and Hard Wired Units	Automatic reset: yellow background with black lettering. Manual reset: black background with yellow lettering.
Weight	1.40 lbs.

### Related Code

Confined Space	OSHA 29 CFR 1926.404 (b) (1) (ii) OSHA 29 CFR 1926.405 (a) (2) (ii) (G)
Construction Sites	NEC 590.6
Commercial Garages	NEC 511.12
Fountains	NEC 680.5B
Spas and Hot Tubs	NEC 680.40
Marinas	NEC 555.3



Dimensional Drawing



Side View





# Ground Fault Products

## Portable 30 Ampere GFCI - NEMA 4X

### Applications

Pressure Washers  
De-icing Equipment  
Pipeline Heaters

Portable Electric Heaters  
Material Dryers  
Automotive Garages

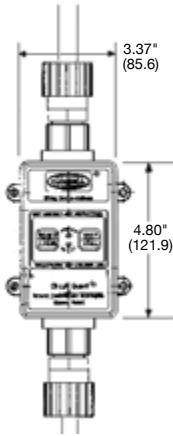
Portable Power Tools  
Submersible Pumps  
Outdoor Signage



GFP1311



GFPIL30250LKM



Dimensional Drawing

### Circuit Guard® Portable 30A GFCI - UL Type 4X Rated

Description	Cord Length	Voltage	Manual Set	Automatic Set
Portable, manual set and automatic set GFCIs.	2' (60.9 cm)	120V AC	<b>GFP1301</b>	<b>GFP1311</b>
	6' (182.9 cm)	120V AC	<b>GFP1305</b>	<b>GFP1315</b>
	25' (762.0 cm)	120V AC	<b>GFP1302</b>	<b>GFP1312</b>
	50' (1524.0 cm)	120V AC	<b>GFP1303</b>	<b>GFP1313</b>
	2' (60.9 cm)	240V AC	<b>GFP2301</b>	<b>GFP2311</b>
	25' (762.0 cm)	240V AC	<b>GFP2302</b>	<b>GFP2312</b>
	6' (182.9 cm)	120/240V AC	<b>GFP3305</b>	<b>GFP3315</b>
	6' (182.9 cm)	3Ø 250V AC	<b>GFP5305</b>	<b>GFP5315</b>
	6' (182.9 cm)	3Ø 120/208V AC	<b>GFP4305</b>	<b>GFP4315</b>

Note: All units above are stock items.

### Circuit Guard® 30A GFCI In Line GFCI - Locking

Description	Cord Length	Voltage	Manual Set	Automatic Set
L5-30 locking.	2' (60.9 cm)	120V AC	<b>GFPIL30125LKM</b>	<b>GFPIL30125LKA</b>
L6-30 locking.	2' (60.9 cm)	250V AC	<b>GFPIL30250LKM</b>	<b>GFPIL30250LKA</b>

### Plug and Connector Selector Chart (partial listing)

The chart below is a list of possible Hubbell plug and connector body products that can be used with the Hubbell Portable GFCIs.

Family	Style	Amps	Voltage	Hubbell Catalog Number
Insulgrip®	Straight Blade	15	120V AC	<b>HBL5266C &amp; HBL5269C</b>
Insulgrip®	Twist-Lock®	30	240V AC	<b>HBL2621 &amp; HBL2623</b>
Watertight Safety-Shroud®	Twist-Lock®	30	240V AC	<b>HBL2621SW &amp; HBL2623SW</b>
IEC Pin & Sleeve	Watertight Pin & Sleeve	30	240V AC	<b>HBL330P6W &amp; HBL330C6W</b>
Insulgrip® Pin & Sleeve	Insulgrip® Pin & Sleeve	30	240V AC	<b>HBL330PS2W &amp; HBL330CS2W</b>
Hubbellock®	Hubbellock®	20	120V AC	<b>HBL23035B &amp; HBL23032B</b>

### Specifications

Electrical Ratings	
Rated Voltage	120V AC, 240V AC, 120/240V AC, 3Ø 250V AC, 3Ø 120/208V AC.
Operating Voltage Range	85% to 110%.
Current	Up to 30A or device rating.
Frequency	60 Hz.
Trip Level	4-6 mA.
Phase	Single.
Response Time	25 mS Max.
Dielectric Withstand	1500 VRMS across contact, 4000 VRMS between conductors and enclosure.
Surge Withstand	6000V impulse, 0.5 microseconds rise time 100kHz ringing frequency with 40% decay per cycle.
Let Go Line Voltage	60% of rated.
Power Up	Manual or Automatic reset.

Environmental Ratings	
Housing Rating	UL Type 4X.
Construction	Industrial grade design.
Type	Meets UL943 Class A GFCI.
Operating Temperature	-35°C to 66°C, -30°F to 150°F.
Leakage Current @ 93% Humidity	Zero.

### Related Code

Confined Space	OSHA 29 CFR 1926.404 (b) (1) (ii) OSHA 29 CFR 1926.405 (a) (2) (ii) (G)
Construction Sites	NEC 590.6
Commercial Garages	NEC 511.12
Outdoor Signs	NEC 600.10
Spas and Hot Tubs	NEC 680.40
Boat Yards	NEC 555.3

Features	
Life (Endurance)	10,000 cycles (6000 with load and 4000 without load).
Open Neutral Protection	Trips upon loss of neutral.
Grounded Neutral Protection	Trips if ground and neutral touch at load side.
Power On Indicator	Green light on.
Power Off Indicator	Red blinking light plus optional audible alarm.
Wiring Application	3 Wire Single Phase (Hot, Neutral and Ground). 4 Wire Single Phase (Line 1, Line 2, Neutral and Ground).
Switch interface	Double Insulated.
Latching Mechanism	Electromagnetic.

Physical Specifications	
Cord Type	2-50', 10/3 SJG00W. 100', 8/3 SEOW.
Unit Color	Gray with black cover.
Label Color on Portable and Hard Wired Units	Automatic reset: Yellow background with black lettering. Manual reset: Black background with yellow lettering.
Weight	2 ft. 1.8 lbs., 6 ft. 2.7 lbs., 25 ft. 6.8 lbs., 50 ft. 12.4 lbs., 100 ft. 23.3 lbs.

