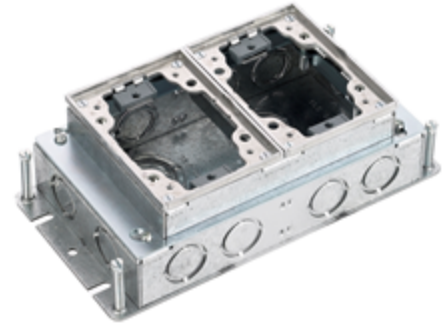


Floor Boxes
Flush Rectangular Stamped Steel
Concrete Floor Boxes



Features

- Stamped steel construction
- Concentric knockouts permit various conduit sizes
- Economical and light weight for above-grade applications



Ordering Information

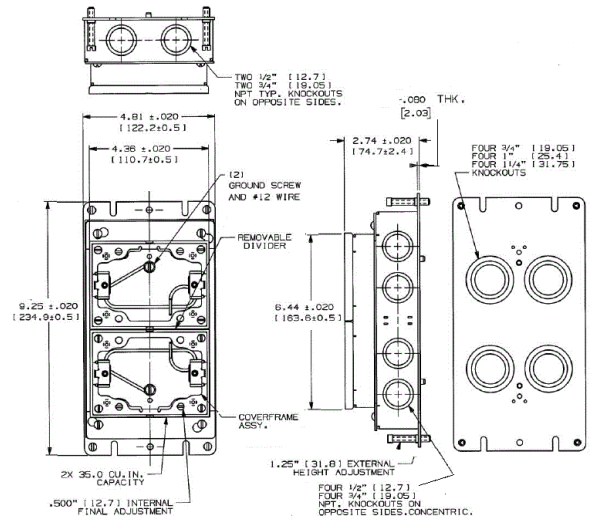
Description	Style	UPC	Catalog Number
2-Gang Shallow,	Stamped Steel	783585104256	BA2422

Listings

UL File Number E92074
 CSA File Number LR18416

Specifications

Collar Material	Aluminum
Size	2-Gang
Min. Depth of Pour	2.75" (69.9)
Cubic Capacity	35.0 cu. in. (573.5 cm ³)



Online Resources

- Customer Use Drawing
- eCatalog
- Installation Instructions

Dimensions in Inches (mm)

Hubbell Wiring Device-Kellems • Hubbell Incorporated (Delaware) • 40 Waterview Drive • Shelton, CT 06484

Phone (800) 288-6000 • Fax (800) 255-1031 • Specifications subject to change without notice.

