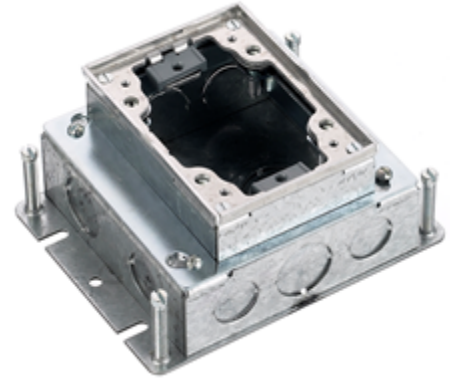


**Floor Boxes**  
**Flush Rectangular Stamped Steel**  
**Concrete Floor Boxes**



**Features**

- Stamped steel construction
- Concentric knockouts permit various conduit sizes
- Economical and light weight for above-grade applications



**Ordering Information**

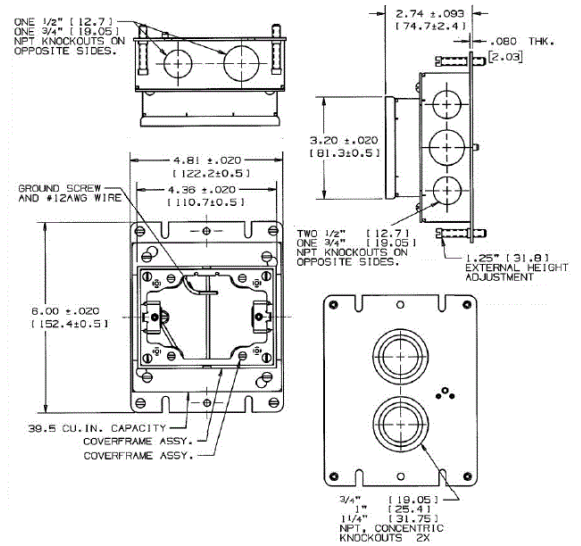
Description	Style	UPC	Catalog Number
1-Gang Shallow,	Stamped Steel	783585104249	BA2421

**Listings**

UL File Number E92074  
 CSA File Number LR18416

**Specifications**

Collar Material	Aluminum
Size	1-Gang
Min. Depth of Pour	2.75" (69.9)
Cubic Capacity	39.5 cu. in. (647.3 cm <sup>3</sup> )



**Online Resources**

- Customer Use Drawing
- eCatalog
- Installation Instructions

Dimensions in Inches (mm)

Hubbell Wiring Device-Kellems • Hubbell Incorporated (Delaware) • 40 Waterview Drive • Shelton, CT 06484

Phone (800) 288-6000 • Fax (800) 255-1031 • Specifications subject to change without notice.

