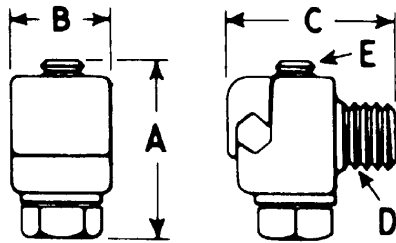


**GENERAL USE — BRONZE
VISE TYPE GROUND CLAMP
LIGHTNING ARRESTER GROUND**

BRONZE
GC-200 SERIES

- For grounding applications conductor to conductor or plate to conductor.
- Provided with standard 1/2-13 threaded studs and flat surfaces for easy one wrench installation.



GC-207-209

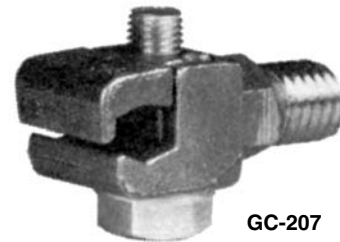
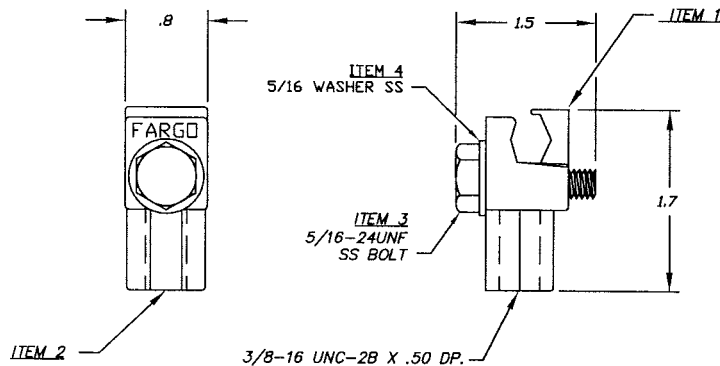


FIGURE 1 TYPE

- NOTE: Lightning Arrester type installations, see page DC-9.

Lightning Arrester Stud Mounting: Female threaded GC207LA.
See page DD-10 for details.



GC-207LA

BRONZE GROUNDING CONNECTOR							
CATALOG NUMBER	CONDUCTOR RANGE	APPROX. DIMENSIONS INCHES (MM)					WT LB (KG)
		A	B	C	D	E	
GC-207+** (Fig. 1)	6 Sol. To 1/0 Str.	1 1/4 (31.81)	3/4 (19.09)	1 7/8 (47.72)	1/2 (12.73)	5/16 (7.95)	.21 (.10)
GC-208+ (Fig. 1)	4 Str. To 2/0 Str.	1 5/16 (33.40)	13/16 (20.68)	1 7/8 (47.72)	1/2 (12.73)	5/16 (7.95)	.29 (.13)
GC-209+ (Fig. 1)	3 Sol. To 4/0 Str.	1 1/2 (38.18)	1 1/8 (28.63)	1 3/4 (44.54)	1/2 (12.73)	5/16 (7.95)	.40 (.18)

*GC-209 is furnished with bronze jam nut on stud.
+Add Suffix "P" for Tin Plated Version (Minimum purchase quantities may apply)
**RUS Listed

Provides a permanent vibration proof connection. The large flat surface of the male casting provides secure mounting, while the "V" shaped conductor groove assures alignment of grounding connector.

**DD
7**