

LED Vaportite Surface/Ceiling Wall Mount Luminaire

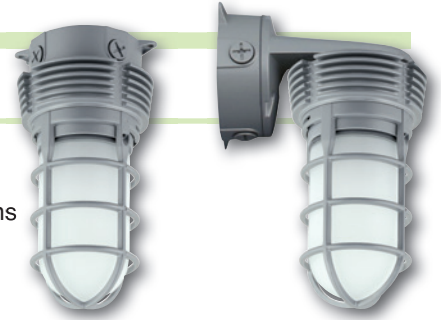


NEW Vaportite LED Luminaires!

Hubbell Outdoor Lighting's all new wet location LED vaportite luminaires are available in versatile mounting options, a rugged design with high energy-efficiency.

Key Features & Benefits

- 757 lumens, 70 lumens per watt
- Compact size with 1/2" pendant threaded hub for ceiling and wall mount versions
- Frosted glass globe distributes light evenly without any LED brightness or glare
- Rugged die-cast aluminum housing with textured gray powder paint provides corrosion resistance and clean finish
- Versatile mounting options include:
 - Direct wall (surface J-box included standard)
 - 1/2" threaded hub – surface/ceiling/pendant
- 120V-277V operation, 50/60 Hz
- IP66, listed to UL1598 for use in wet locations
- Colored globes available: Red, Green, Yellow and Blue



Catalog Number / UPC EXPRESSLINE	Equivalency		Delivered Lumens	System Watts	Lumens Per Watt	Beam Pattern	CCT	Voltage	Drivers/ Current
	INC	CFL							
VBGL-1 / 785988030651	150w	32w	757	11	70	Symmetric	4000K	120-277V	250mA
Catalog Number / UPC EXPRESSLINE	Equivalency		Delivered Lumens	System Watts	Lumens Per Watt	Beam Pattern	CCT	Voltage	Drivers/ Current
INC	CFL								
VWGL-1 / 785988030668	150w	32w	757	11	70	Symmetric	4000K	120-277V	250mA

Ceiling/surface mount, 1/2" 14 NPS threaded conduit – one top hub, four side hubs

Removable cast aluminum guard with vandal-resistant set screw

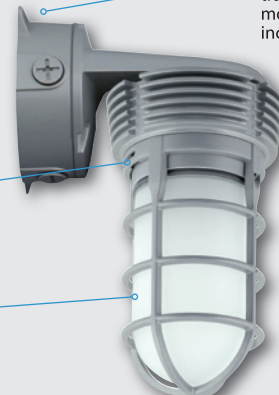


Rugged die-cast aluminum housing with removable cast aluminum guard included, gray finish

Frosted glass lens distributes light evenly without glare

Wall mount accommodates traditional junction box mounting (surface and j-box included standard)

Finned housing provides maximum heat dissipation



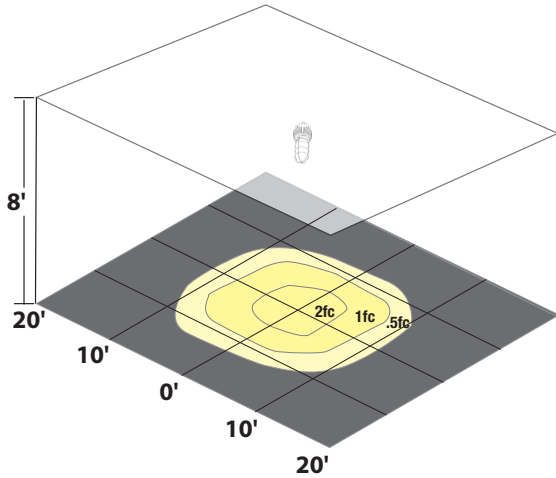
HUBBELL
Outdoor Lighting

Hubbell Outdoor Lighting • 701 Millennium Boulevard Greenville, SC 29607
www.hubbelloutdoor.com • 864-678-1000 – Rev 4.15

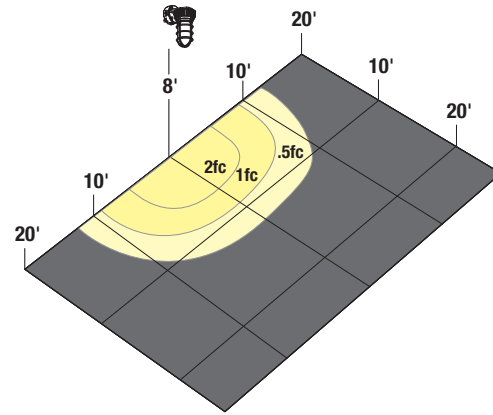


HUBBELL
Lighting

PERFORMANCE



Ceiling Mount 8'

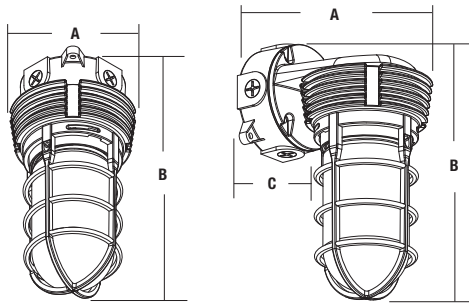


Wall Mount 8'

ORDERING INFORMATION

Catalog Number	Construction	Mount	Wattage	Drive Current	Voltage	Color Temperature	Lumens	LPW	Weight lbs. (kg)
VBGL-1	Globe refractor	Ceiling/Pendant	11	250mA	120-277V	4000K	757	70	3.4 (1.54)
VWGL-1	Globe refractor	Wall	11	250mA	120-277V	4000K	757	70	3.6 (1.63)

DIMENSIONS



	A	B	C
VBGL-1	5.2"	10.37"	-
	132 mm	263 mm	-
VWGL-1	7.34"	11"	5.2"
	186 mm	280 mm	132 mm

REPLACEMENT GLOBES

Catalog Number	Description
VGL-FG	Frosted globe
VGL-GUARD	Guard with set screws
Colored Globes	
VGL-GN	Green globe
VGL-YW	Yellow globe
VGL-BU	Blue globe
VGL-RD	Red globe



HUBBELL
Outdoor Lighting

Hubbell Outdoor Lighting • 701 Millennium Boulevard Greenville, SC 29607
www.hubbelloutdoor.com • 864-678-1000 – Rev 4.15



HUBBELL
Lighting