

INSTALLATION INSTRUCTION

Wall Pack and Ceiling Mount Series

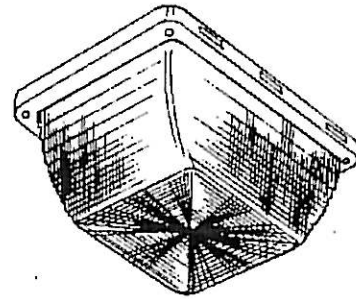
S9/S12 Series Compact Fluorescent

WARNING

DISCONNECT POWER DURING INSTALLATION AND BEFORE SERVICING.
READ ALL INSTRUCTIONS COMPLETELY BEFORE STARTING INSTALLATION.

ASSEMBLY

1. Remove diffuser from backplate.
2. Attach crossbar to junction box with two screws.
3. Thread mounting nipple provided through center hole of backplate and into the crossbar. Secured with locknut.
4. Connect fixture leads to supply leads with wire nuts.
5. Place backplate over junction box and secured with locking cap.
6. Apply RTV between luminaire and mounting surface along top and sides of luminaire
7. Install lamp and replace diffuser by engaging tabs on one side and using two screws.
8. Supply wire for S9/S12 Fluorescent types :
Min 90°C when connecting wire leads in junction box
Min 105°C when connecting wire leads inside the fixture

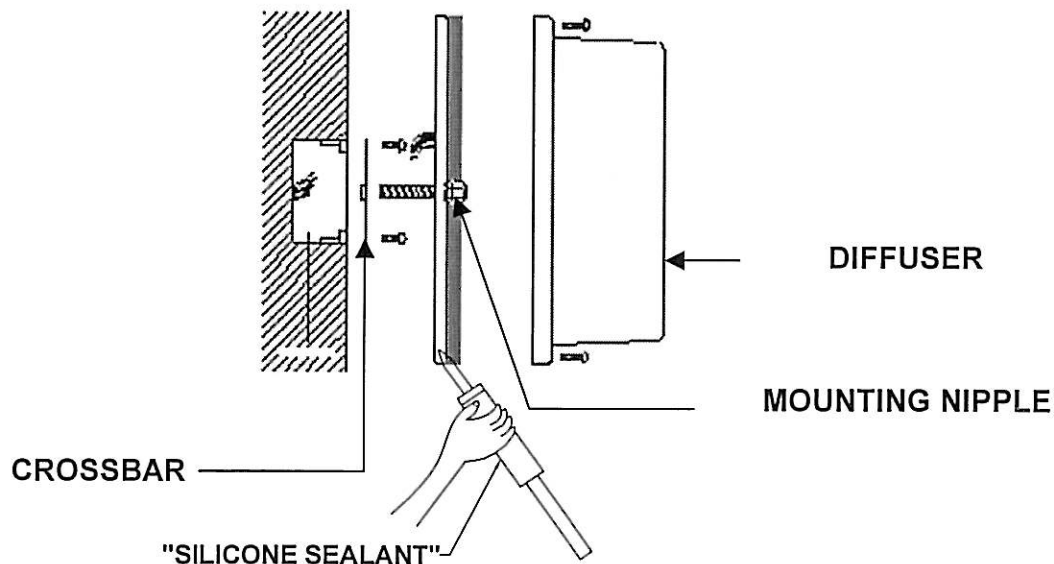


8.5" x 8.5" or 12" x 12"

MOUNTING METHOD

Before starting the installation, disconnect the power by turning off the circuit breaker. Turning the power off by using the light switch is not sufficient to prevent electrical shock. Vandal fixture is for indoor or outdoor use and should not be used in areas of limited ventilation or high-ambient temperature. All work should be done by a qualified electrician.

Fixture should be ceiling or wall mounted. Fixture should be located at least 12" away from any structural detail and from adjoining. Fixture should not be recessed.



REPLACING LAMP

CAUTION - DISCONNECT ELECTRICAL CIRCUIT BEFORE RELAMPING.

1. Loosen the diffuser screws to release the diffuser.
2. Replace the correct lamp.
3. Close diffuser and re-install screws.



Hubbell Lighting
701 Millennium Blvd.
Greenville, SC 29607

www.hubbell-ltg.com