

NRG300BMS SERIES

Motion Controlled Wallpack

WARNING

DISCONNECT POWER DURING INSTALLATION AND BEFORE SERVICING. READ ALL INSTRUCTIONS COMPLETELY BEFORE STARTING INSTALLATION.

WARNING: THIS PRODUCT CONTAINS CHEMICALS KNOWN TO THE STATE OF CALIFORNIA TO CAUSE CANCER, BIRTH DEFECTS, AND/ OR OTHER REPRODUCTIVE HARM. THOROUGHLY WASH HANDS AFTER INSTALLING, HANDLING, CLEANING OR OTHERWISE TOUCHING THIS PRODUCT.

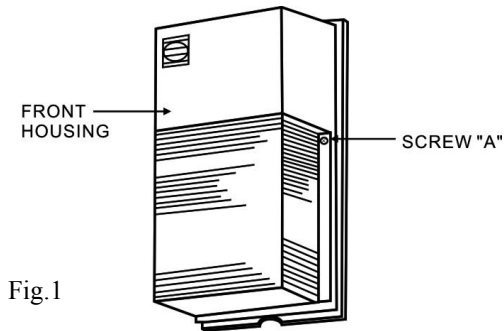


Fig.1

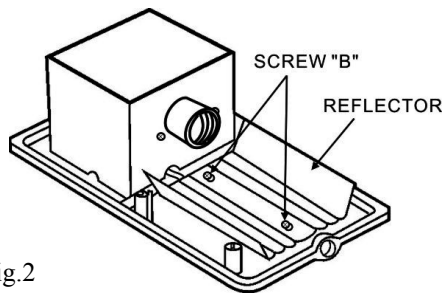


Fig.2

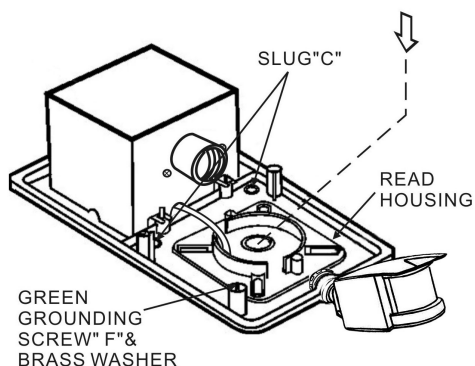


Fig.3

INSTALLATION:

- 1. REMOVE FRONT HOUSING (Fig. 1)**
Loosen two (2) screws "A". Remove front housing.
- 2. REMOVE REFLECTOR (Fig. 2)**
Loosen two screws "B" enough to allow reflector to slide upward until keyhole in reflector releases two screws "B". Remove reflector.
- 3. MOUNTING WITH TWO (2) BOLTS (Fig. 3)**
Knock out two (2) slugs © in rear housing. Mount with two (2) lag screws as required with wire access hub positioned over the recessed splice box.
- 4. MOUNTING ON OUTLET BOX**
Knock out appropriate holes around outlet hole in rear housing. Fasten the rear housing to the outlet box using the screws supplied with the outlet box.
NOTE: Attach the "self-adhesive" gasket to the rear housing to seal the fixture between the wall, after the holes been knocked out.
- 5. ELECTRICAL CONNECTIONS.**
Make wiring connections by connecting white fixture wire to white service wire, 120 volt fixture wire (which may be black) to black service wire. Make sure that there are no loose wire strands sticking out of wire nuts. Connect the ground lead from the service by hooking it around the green grounding screw "F" between the screw head and the brass terminal washer. Tighten the screw securely.
- 6. INSTALL LAMP**
Replace reflector and place lamp into lamp socket, and install lamp securely into lamp socket until it seats firmly.
- 7. REPLACE FRONT HOUSING**
Replace front housing by centering over cast housing and gasket.
Tamper Proof – Center pin Torx screws are provided for front housing if needed to limit access into fixture.

SEE REVERSE SIDE OF SHEET FOR MOTION SENSOR FIXTURE OPERATION.

Important: To weather-proof your outdoor installation, be sure to seal all holes in fixture housing. (Mounting and rear wiring) with silicone sealant. A bead of silicone at top and side of fixture should be added to eliminate water running behind the fixture.

TROUBLE SHOOTING CHECKLIST : If the light does not work

Check Your Power Source.

Check Electrical Connections.

Check To Insure Proper Seating Of Lamp.

Check If Lamp Burned Out.

Hubbell Outdoor Lighting • 701 Millennium Boulevard • Greenville, SC 29607 • PHONE: 864-678-1000

For more information visit our website: www.hubbelloutdoor.com

