

# MICROLITER<sup>®</sup> SERIES

Cat.#

Job

Type



**HUBBELL**  
Outdoor Lighting

Approvals

### APPLICATIONS

- Signs, facades, small area illumination, flag poles and landscape accent

### SPECIFICATIONS

- Die cast aluminum housing is rugged, yet lightweight and compact in size
- The die cast aluminum door hinges and is removable for service. Two Hubbell Gard<sup>®</sup> screw fasteners secure the lens door to a silicone gasket for positive seal
- 1/2" cast aluminum knuckle provides universal aiming (1/2 x 14 NPS)
- Rotatable optics. Medium base lamp included
- HPS offered in 120V NPF or Multitap HPF, PSMH is HPF Multitap
- Bronze Lektrocote<sup>®</sup> powder paint finish

### LISTINGS

- Listed to UL1598 for use in wet locations

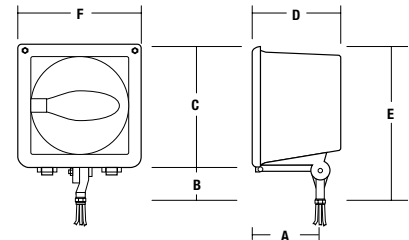
### LISTINGS



### PRODUCT IMAGE(S)



### DIMENSIONS



A	B	C	D	E	F
4 <sup>7</sup> / <sub>8</sub> "	2 <sup>1</sup> / <sub>2</sub> "	9 <sup>1</sup> / <sub>4</sub> "	7 <sup>3</sup> / <sub>8</sub> "	12 <sup>1</sup> / <sub>8</sub> "	9 <sup>1</sup> / <sub>4</sub> "
124 mm	64 mm	235 mm	187 mm	308 mm	235 mm

## ORDERING INFORMATION

Catalog Number <sup>1</sup>	Wattage	Photometry NEMA/IES H° x V°	Lamp Type	Voltage	Weight lbs. (kg)	EPA ft <sup>2</sup> (m <sup>2</sup> )	Ballast Type <sup>2</sup>
<b>Normal Power Factor, High Pressure Sodium</b>							
MIC-0070S-651	70	5 (90°) x 6 (102°)	Coated	120 NPF	9 (4.1)	0.71 (0.1)	RX
<b>High Power Factor, High Pressure Sodium</b>							
MIC-0150S-258 <sup>3</sup>	150	5 (71°) x 3 (34°)	Clear	120/208/240/277	14 (6.4)	0.71 (0.1)	AL
<b>High Power Factor, Pulse Start Metal Halide</b>							
MIC-0070H-358 <sup>3</sup>	70	5 (81°) x 4 (60°)	Clear	120/208/240/277	11 (5)	0.71 (0.1)	AL
MIC-0100H-358 <sup>3</sup>	100	5 (86°) x 4 (62°)	Clear	120/208/240/277	13 (5.9)	0.71 (0.1)	AL
MIC-0150P-338 <sup>3</sup>	150	3 (32°) x 3 (36°)	Clear	120/208/240/277	14 (6.4)	0.71 (0.1)	PLA
MIC-0150P-358 <sup>3</sup>	150	6 (103°) x 5 (81°)	Clear	120/208/240/277	14 (6.4)	0.71 (0.1)	PLA
<b>Less Ballast - Medium Base Socket</b>							
MIC-XXXX-XXX	Less Ballast	Varies	150 max	None	6 (2.7)	0.71 (0.1)	None

- 1 Lamp included
- 2 Ballasts are Class H, -40°F starting (HPS), -20°F starting (PSMH)
- 3 Quad-Tap<sup>®</sup> luminaires are shipped wired for 277V, easily changed to other voltages in the field

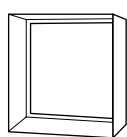
### ACCESSORIES - Order Separately

Catalog Number	Description
MIC-GS-2	Glare shield (360°) bronze
MIC-SPC-2	Polycarbonate shield assembly
S-302-M51	Pole-top slipfitter for 1/2" knuckle, slipfits 2 3/8" OD pipe, bronze finish
PBT-1	Photocontrol, button type, 120V
TRN-XX <sup>1</sup>	Trunnion adaptor for 1/2" threaded knuckle mount

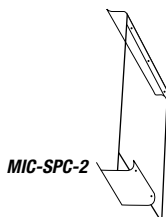
<sup>1</sup> Specify color, eg. DB - Dark Bronze

### REPLACEMENT PARTS

Catalog Number	Description
264-0292-9903	Lens
800-2827-0100	Bronze lens/door assembly
207-5011-0264	Bronze knuckle



MIC-GS-2



MIC-SPC-2



S-302-M51



PBT-1



TRN-XX



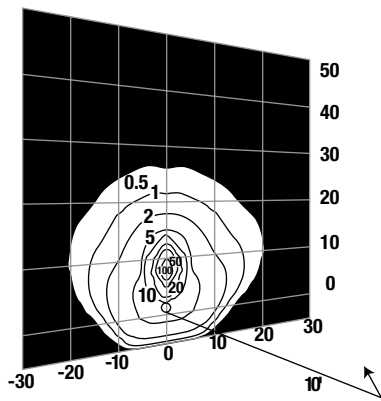
Hubbell Outdoor Lighting • 701 Millennium Boulevard • Greenville, SC 29607 • Phone: 864-678-1000

Due to our continued efforts to improve our products, product specifications are subject to change without notice.

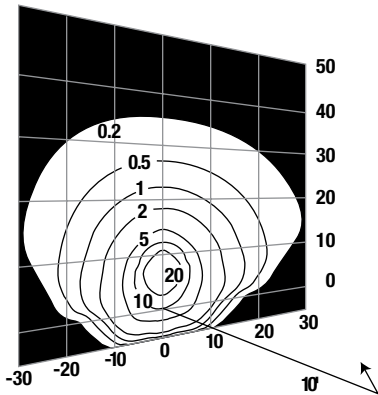
© 2015 HUBBELL OUTDOOR LIGHTING, All Rights Reserved • For more information visit our website: [www.hubbelloutdoor.com](http://www.hubbelloutdoor.com) • Printed in USA

MIC-SPEC 6/15

**PHOTOMETRICS** For additional photometric information and IES downloads, visit our web site at [www.hubbell-ltg.com](http://www.hubbell-ltg.com)



**MICROLITER  
MIC-0100H-32X  
NARROW BEAM**



**MICROLITER  
MIC-0100H-35X  
MEDIUM BEAM**

## PHOTOMETRIC REPORTS

Catalog Number	Report #
MIC-0175H-35X	HP04770S.IES
MIC-0175H-33X	HP04771S.IES
MIC-0070H-35X	HP04774S.IES
MIC-0070H-32X	HP04775S.IES
MIC-0150S-25X	HP04910S.IES



**HUBBELL**  
Outdoor Lighting

Hubbell Outdoor Lighting • 701 Millennium Boulevard • Greenville, SC 29607 • Phone: 864-678-1000

Due to our continued efforts to improve our products, product specifications are subject to change without notice.

© 2015 HUBBELL OUTDOOR LIGHTING, All Rights Reserved • For more information visit our website: [www.hubbelloutdoor.com](http://www.hubbelloutdoor.com) • Printed in USA

MIC-SPEC 6/15