


<b>DUSK-TO-DAWN KITS</b> DD SERIES	Cat.#		 <b>HUBBELL</b> Outdoor Lighting
	Job	Type	

**APPLICATIONS**

- High pressure sodium dusk-to-dawn security kits provide long life, low energy consumption and low maintenance
- Pulse start and CFL kits provide 'white' light

**SPECIFICATIONS**

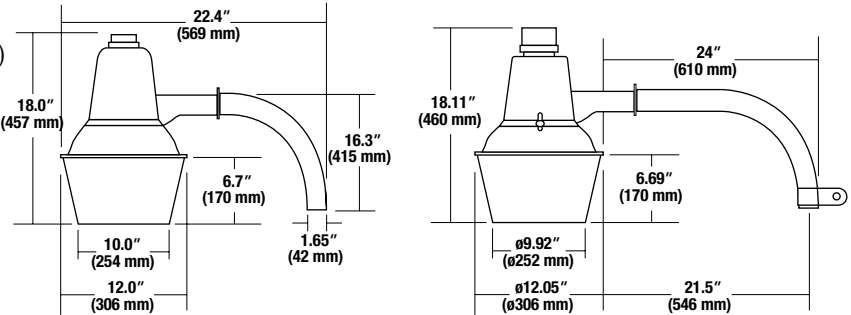
- Cast aluminum heads protect electrical components
- Twistlock photocontrols save energy with automatic on/off, adjusts with the seasons
- Long life HPS lamp provides uniform lighting (rated 24,000 hrs) Pulse start for cold environments – white light (rated 10,000 hrs) CFL for instant-on warmer climates – white light (rated 8-10,000hrs)
- All units are 120 volt
- Arms are 1 1/4" pipe except on DD-70S wallmount

**LISTINGS**

- Listed to UL1598 for use in wet locations



**DDR100S**



**ORDERING INFORMATION**

Catalog Number	Wattage	Source	Optic Dia.	Lamp	Weight lbs. (kg)
<b>Distributor kits - 24" curved aluminum arm, UL listed. Screw-on optics</b>					
<b>High Pressure Sodium</b>					
DDS-150S	150	HPS	12"	Med. Clear	5.0 (2.3)
<b>Pulse Start Metal Halide</b>					
DDS-100P	100	PSMH	12"	Med. Clear	6.0 (2.7)
DDS-100PL	100	PSMH	12" with latches	Med. Clear	6.0 (2.7)
<b>Compact Fluorescent</b>					
DDS-65F	65	CFL	12"	Med. Screw Base	4.0 (1.8)
<b>Utility kits - 24" curved aluminum arm, terminal block, 60" leads, latch-on optics</b>					
DDR100S	100	HPS	12"	Mogul Clear	6.5 (2.9)
DDR150S	150	HPS	12"	Mogul Clear	6.5 (2.9)

**REPLACEMENT PARTS**

Catalog Number	Description	Weight lbs. (kg)
DDR-5AP	Replacement optics, latch-on, Type V acrylic for DDR fixtures	1.5 (0.7)
PTL-1	Replacement 120V twist lock photocontrol	0.1 (0.05)
93023491	Replacement 65w CF lamp	5 (2.25)

