

8" Horizontal Compact Fluorescent Open Downlights



LF8CFH

13W, 18W or 26W Quad Tube
4-pin Lamps
120V, 208V, 240V, 277V, or 347V

DATE: _____ TYPE: _____

FIRM NAME: _____

PROJECT: _____



Ceiling Cutout: 8-1/4"
Maximum Ceiling Thickness: 1-1/4"
For conversion to millimeters,
multiply inches by 25.4
Not to Scale

APPLICATIONS:

The LF8CFH series offers horizontally lamped compact fluorescent open downlight fixtures. This luminaire is ideal for a wide variety of low to medium height ceiling applications including commercial, retail, hospitality, and design-build.

HOUSING:

One-piece 22-gauge galvanized steel platform. Prewired J-box with snap-on cover for easy access. Vented at lamp tip and socket for maximum light output. Same housing accommodates downlight, wall wash downlight, and lensed downlight reflectors.

REFLECTOR:

High purity aluminum, Alzak, iridescence suppressed, semi-diffuse reflector. Self-trim standard. Painted white self-trim (WT) available as option. Baffled units standard with painted white self-trim.

LAMPS:

Use two (2), 13W (G24Q-1 base), 18W (G24Q-2 base), or 26W (G24Q-3 base) quad tube 4-pin compact fluorescent lamps. Lamps furnished by others or as option below.

BALLAST:

One (1) Class 'P' 120V-277V HPF compact fluorescent electronic ballast for long life and quiet operation. All ballast options are equipped with end of life protection. Contact technical support for 347V. Accessible from below ceiling.

SOCKET:

Two (2) injection molded sockets (vented).

INSTALLATION:

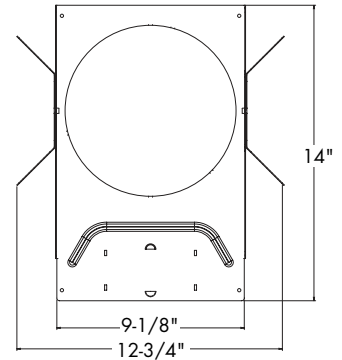
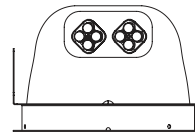
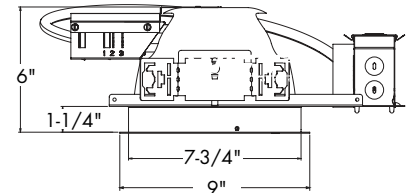
Universal adjustable mounting brackets accept 1/2" EMT conduit or 1 1/2" or 3/4" lathing channel (by others) or Prescolite 24" bar hangers (B24 or B6). Light commercial bar hangers included.

LABELS:

UL listed or UL/CSA listed with CDN option for damp locations. Approved for through wiring (4 in, 4 out). Non-IC type.

LAMP INCLUDED OPTION:

Specify lamp type Q4 (Quad 4-pin) and temperature as shown below.



Order housing, reflector, and accessories separately.

CATALOG NUMBER:

EXAMPLE: LF8CFH226EB 8CFH LP26Q430K

HOUSING	WATTAGE	VOLTAGE	HOUSING OPTIONS	HOUSING OPTIONS	REFLECTOR	REFLECTOR COLOR	TRIM OPTIONS	ACCESSORIES
<input type="checkbox"/> LF8CFH	<input type="checkbox"/> 213 (2) 13W Quad	<input type="checkbox"/> Blank 120V-277V	<input type="checkbox"/> CP ³ Chicago Plenum	<input type="checkbox"/> ECDM Lutron EcoSystem or 3-wire line voltage dimming ballast (120V-277V). Dims to 5%.	<input type="checkbox"/> 8CFH 8" Alzak Semi-Diffuse	<input type="checkbox"/> Blank Clear Alzak	<input type="checkbox"/> WT White flange (Alzak only)	<input type="checkbox"/> B24 Set of (2) 24" bar hangers for T-bar ceilings
	<input type="checkbox"/> 218 (2) 18W Quad	<input type="checkbox"/> CDN Canadian Electrical code	<input type="checkbox"/> FSDFA Fuse kit installed at factory	<input type="checkbox"/> 2DM Lutron Tu-Wire® Dimming Ballast to 5%, 2-wire line voltage (120V only)	<input type="checkbox"/> CG Champagne Gold Alzak	<input type="checkbox"/> CG Champagne Gold Alzak	<input type="checkbox"/> B6 Set of (2) bar hangers for ceiling joists up to 24" centers	<input type="checkbox"/> B6 Set of (2) bar hangers for ceiling joists up to 24" centers
	<input type="checkbox"/> 226 (2) 26W Quad	<input type="checkbox"/> compliant ballast disconnect	<input type="checkbox"/> RIF1 ^{2,3} Radio interference filter (single circuit)	<input type="checkbox"/> 7DM Advance Mark 7™ Dimming Ballast to 5%, 4-wire, 0-10V, analog (120V thru 277V) (specify wattage)	<input type="checkbox"/> PW Pewter Alzak	<input type="checkbox"/> PW Pewter Alzak	<input type="checkbox"/> TRG Trim Ring	<input type="checkbox"/> FSDFI Fuse kit for field installation
		<input type="checkbox"/> CDN 347V ⁶ Canadian Electrical code compliant ballast disconnect	<input type="checkbox"/> EMR ^{2,3} Emergency battery pack with remote test switch and indicator light	<input type="checkbox"/> XDM ¹ Advance Mark 10™ Dimming Ballast to 5%, 2-wire line voltage (specify supply voltage/ wattage)	<input type="checkbox"/> WE Wheat Alzak	<input type="checkbox"/> WE Wheat Alzak	<input type="checkbox"/> Gasket (Factory installed)	<input type="checkbox"/> SCA8D Sloped ceiling adapter (see note on back page)
			<input type="checkbox"/> DM Electronic Analog Dimming Ballast to 3%, 4-wire, 0-10V (120-270V)	<input type="checkbox"/> SMT Philips Advance SmartMate® ballast	<input type="checkbox"/> LW Light Wheat Alzak	<input type="checkbox"/> LW Light Wheat Alzak		LAMP ACCESSORIES
			<input type="checkbox"/> EM ^{2,3} Emergency Battery Pack with Integral test switch and indicator light.		<input type="checkbox"/> BB Black baffle (with clear Alzak upper reflector)	<input type="checkbox"/> BB Black baffle (with clear Alzak upper reflector)		<input type="checkbox"/> LP -wattage= 13, 18, 26 -type= Q4 (Quad 4-pin) -temp= 27K, 30K, 35K, 41K (Kelvin) *Example: LP26Q430K Requires two lamps.
			<input type="checkbox"/> SYL ⁴ Osram Sylvania Ballast (available only for standard EB option)		<input type="checkbox"/> WB White baffle (with clear Alzak upper reflector)	<input type="checkbox"/> WB White baffle (with clear Alzak upper reflector)		

BALLAST

- EB**
Multi-volt
(120V-277V)
Electronic
Ballast

¹Not available for 13W Quad lamp
²RIF1, EMR and EM options not offered in combination
³CP not offered in combination with RIF1, EMR, or EM
⁴Available for Osram Sylvania Quick 60+® Limited Warranty when
used with Osram lamp(s). See www.prescolite.com for details.
⁵Not available for 13W and 18W
⁶Dimming option not available for 347V



In a continuing effort to offer the best product possible we reserve the right to change, without notice, specifications or materials that in our opinion will not alter the function of the product.
Web: www.prescolite.com • Tech Support: (888) 777-4832

LF8-CFL-013

PHOTOMETRIC DATA

LiteFrame® - 8" Horizontal Quad Tube Open Downlights - LF8CFH Series

BALLAST DATA

	13W Quad			18W Quad			26W Quad		
	120V	277V	347V	120V	277V	347V	120V	277V	347V
Total System Watts	29	29	33	35	35	38	51	51	57
Input Current (Amps)	0.25	0.11	0.10	0.30	0.13	0.06	0.43	0.19	0.17
Input Frequency in Hz	50/60	50/60	50/60	50/60	50/60	50/60	50/60	50/60	50/60
Power Factor	<.99	<.95	<.95	<.99	<.95	<.95	<.99	<.95	<.95
Ballast Factor	<1.0	<.98	<.95	<.95	<.98	<1.0	<1.0	<1.0	<.98
Total Harmonic Distortion	<10%	<10%	<10%	<10%	<10%	<10%	<10%	<10%	<10%

LAMP DATA

Rated Watts	13W Quad	18W Quad	26W Quad
Rated Lumens	900	1150	1710
Efficacy (LPW)	69	64	66
Rated Life	12,000	12,000	12,000
CRI	82	82	82
Min. Starting Temp.	32°F	32°F	32°F

LUMINANCE DATA IN CANDELA/SQ. METER

Angle in Vertical	Average 0°	Average 45°	Average 90°
45°	33783	30623	18076
55°	20566	26066	19478
65°	778	778	1166
75°	254	254	254
85°	0	0	0

Test No. ITL60469

LF8CFH226EB/8CFH Clear Alzak Reflector

Lamp: 2-CF26DD/E/827-SYLVANIA

Spacing Criteria:

0°=1.4

90°=1.4

Efficiency: 61.2%

AVERAGE INITIAL FOOTCANDLES ON WORKPLANE

Assumptions:

1. Ceiling 80% Wall 50% Floor 20%
2. 4 Luminaires evenly spaced in the center of the room.
3. The room is square and has a width and length equal to twice the lamp spacing (LS).
4. RCR is Room Cavity Ratio.
5. Dirt and Lumen Depreciation Factors are 1.0.
6. Ballast Factor is 1.0 for ballasted fixtures.

LS (Feet)	(Footcandles)		
	RCR1	RCR3	RCR7
7.0	46	37	25
8.0	35	28	19
9.0	28	22	15
10.0	23	18	12
11.0	19	15	10
12.0	16	13	9
13.0	13	11	7
14.0	12	9	6
15.0	10	8	5

Test No. ITL60469

COEFFICIENTS OF UTILIZATION Zonal Cavity Method

Room Cavity Ratio	% Effective Ceiling Cavity Reflectance													
	80%		70%		50%		30%		10%					
	0	10	0	10	0	10	0	10	0	10	0	10		
% Effective Floor Cavity Reflectance														
% Wall Reflectance														
	70	50	30	10	70	50	30	10	50	30	10	50	30	10
1	.68	.66	.64	.62	.67	.65	.63	.61	.62	.61	.60	.60	.59	.58
2	.63	.59	.56	.53	.62	.58	.55	.53	.56	.54	.52	.54	.52	.50
3	.59	.53	.49	.46	.57	.53	.49	.46	.51	.48	.45	.49	.46	.44
4	.54	.48	.44	.40	.53	.47	.43	.40	.46	.42	.39	.45	.41	.39
5	.50	.43	.39	.35	.49	.43	.38	.35	.42	.38	.35	.40	.37	.34
6	.47	.39	.35	.31	.46	.39	.34	.31	.38	.34	.31	.37	.33	.30
7	.43	.36	.31	.28	.42	.35	.31	.28	.35	.30	.27	.34	.30	.27
8	.40	.33	.28	.25	.40	.32	.28	.25	.32	.28	.25	.31	.27	.25
9	.38	.30	.26	.22	.37	.30	.25	.22	.29	.25	.22	.29	.25	.22
10	.36	.28	.23	.20	.35	.28	.23	.20	.27	.23	.20	.27	.23	.20

Test No. ITL60469

LF8CFH226EB/8CFH

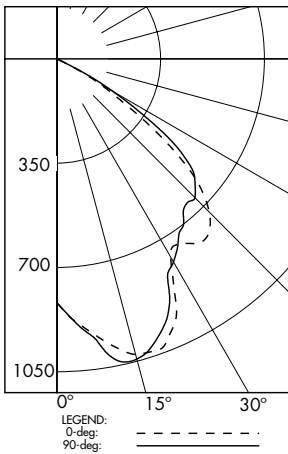
NOTES

Refer to www.prescolite.com for additional photometric tests (IES Files).

When ordering a sloped ceiling adapter, specify the degree of slope in 5° increments, max. of 35°. For a more precise degree or wet ceiling applications, please contact factory. Sloped ceiling adapter and housing must be installed at the same time prior to finish ceiling installation.

Note: Use of horizontally-lamped open downlights with amalgam-based CFL lamps in air-handling plenums is not recommended because cool air flow over the lamps will result in reduced light output. Prescolite recommends vertical lamp downlights or use of the regressed lensed trim option for horizontal downlights in these applications to reduce this effect. Refer to Prescolite White Paper WP0003 at www.prescolite.com for more information.

CANDLEPOWER DISTRIBUTION



Test No. ITL60469

CANDLEPOWER SUMMARY

Angle	0°	90°	180°
0	817	817	817
5	895	903	794
10	966	1009	784
15	1027	1043	800
20	1034	995	777
25	954	901	630
30	767	787	466
35	756	718	382
40	784	664	393
45	727	659	389
50	592	605	378
55	359	455	340
60	164	220	225
65	10	10	15
70	4	4	4
75	2	2	2
80	0	0	0
85	0	0	0
90	0	0	0

