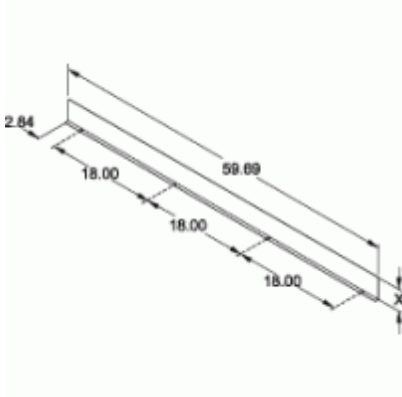




*Quality Products. Service Excellence.*

## Barrier Kit 1487 B Series



Divides wireway into two or more compartments. Barriers are fastened to wireway sections with screws.

Part No.	Size	X
1487CB60	4 x 4	3.72
1487DB60	6 x 6	5.72
1487EB60	8 x 8	7.72

Does not meet CSA or UL requirements

*Data subject to change without notice*



© 2017. Hammond Manufacturing Ltd. All rights reserved.