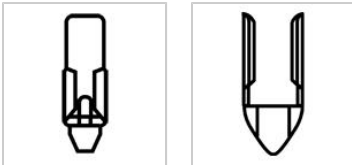
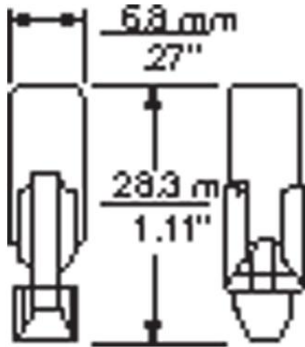




GE  
Lighting

### 12071 - TEL/24PSB UNIT

GE T2 - Low Voltage; Telephone



### GENERAL CHARACTERISTICS

|                     |                          |
|---------------------|--------------------------|
| Lamp Type           | Miniature - T & TL Shape |
| Bulb                | T2                       |
| Base                | Tel. Slide No. 5         |
| Filament            | C-2F                     |
| Rated Life          | 10000.0 hrs              |
| Atmosphere          | Vacuum                   |
| Primary Application | Low Voltage;Telephone    |

### ELECTRICAL CHARACTERISTICS

|         |      |
|---------|------|
| Wattage | 2.0  |
| Voltage | 24.0 |

### DIMENSIONS

|                              |                    |
|------------------------------|--------------------|
| Maximum Overall Length (MOL) | 1.1100 in(28.2 mm) |
| Bulb Diameter (DIA)          | 0.250 in(6.4 mm)   |

### PRODUCT INFORMATION

|                                  |                |
|----------------------------------|----------------|
| Product Code                     | 12071          |
| Description                      | TEL/24PSB UNIT |
| Standard Package                 | Case           |
| Standard Package GTIN            | 20043168120719 |
| Standard Package Quantity        | 50             |
| Sales Unit                       | Unit           |
| No Of Items Per Sales Unit       | 1              |
| No Of Items Per Standard Package | 50             |
| UPC                              | 043168120715   |