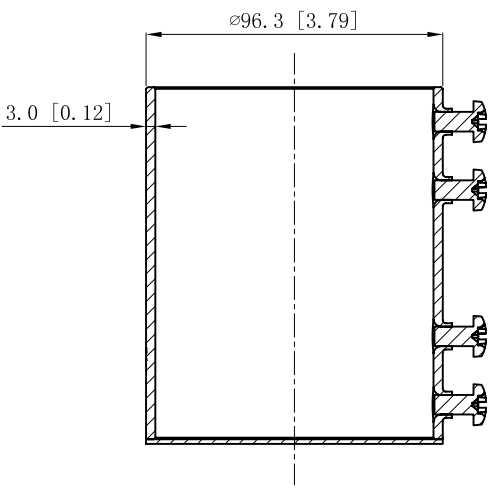
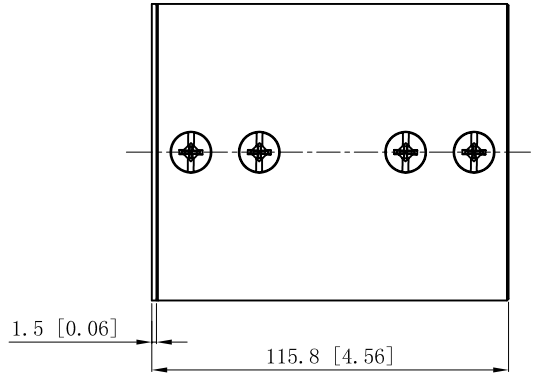
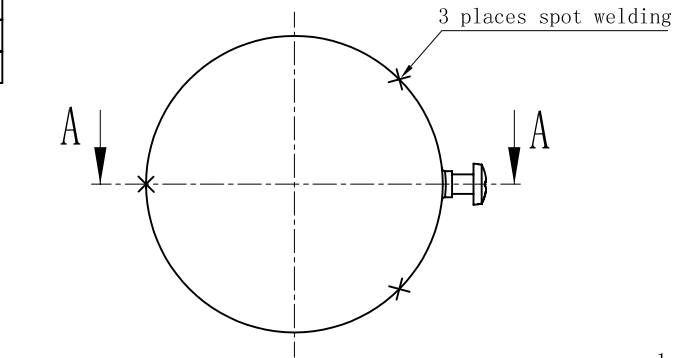
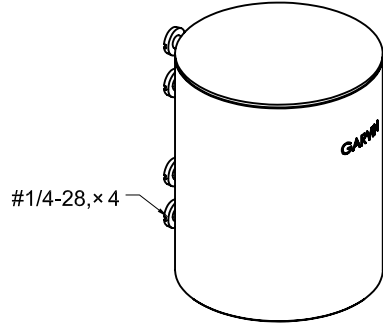


SIDES	BOTTOM
4 PCS #1/4-28×1/2 Screws Installed	
Material:Steel-WELDING TUBE Galvanized	



CUTAWAY VIEW A-A



This data sheet is for reference only .GARVIN INDUSTRIES reserves the right to make changes to the design without prior notice.

DESCRIPTION
TRADE REFERENCE TERMS

STANDARD PACKING
5 Pcs

<h1>GARVIN INDUSTRIES</h1>		
TITLE STEEL EMT SETREW COUPLINGS END CAPS TAMPERPROOF		
SIZE A4	DWG NO. CAPR300	REV
DATA SHEET		