

► Model AV1ST

# Strobe Combination Audible/Visual Signal



Model AV1ST is a combination audible/visual signal. The AV1ST features a 100% polycarbonate housing that is rated for Type 3R rain-tight applications.

The AV1ST design provides three mounting configurations: 1/2-inch NPT pipe, a 4-inch octagonal electrical box or any flat surface. All AV1ST units feature a unique twist and lock dome design to allow for tool free access to the strobe tube. The fresnel lensing provides superior visibility in all directions.

The integrated buzzer provides 85 dBa output @ 10 feet (95 dBa @ 1 meter).

The AV1ST comes in two voltage variations: 24VDC and 120VAC. Each unit is factory assembled with two color-coded leads. If desired, the user can remove the leads and connect directly to the terminal block located in the base of the unit.

## FEATURES

- Available in 24VDC and 120VAC
- Surface mount, integrated 1/2-inch NPT pipe mount, and 4-inch electrical box mount
- Five dome colors: Amber, Blue, Clear, Green and Red
- Twist-off lens for easy access
- Internal buzzer produces 85 dBa @ 10' (95 dBa @ 1m)
- Type 3R enclosure
- UL and cUL Listed and CSA Certified

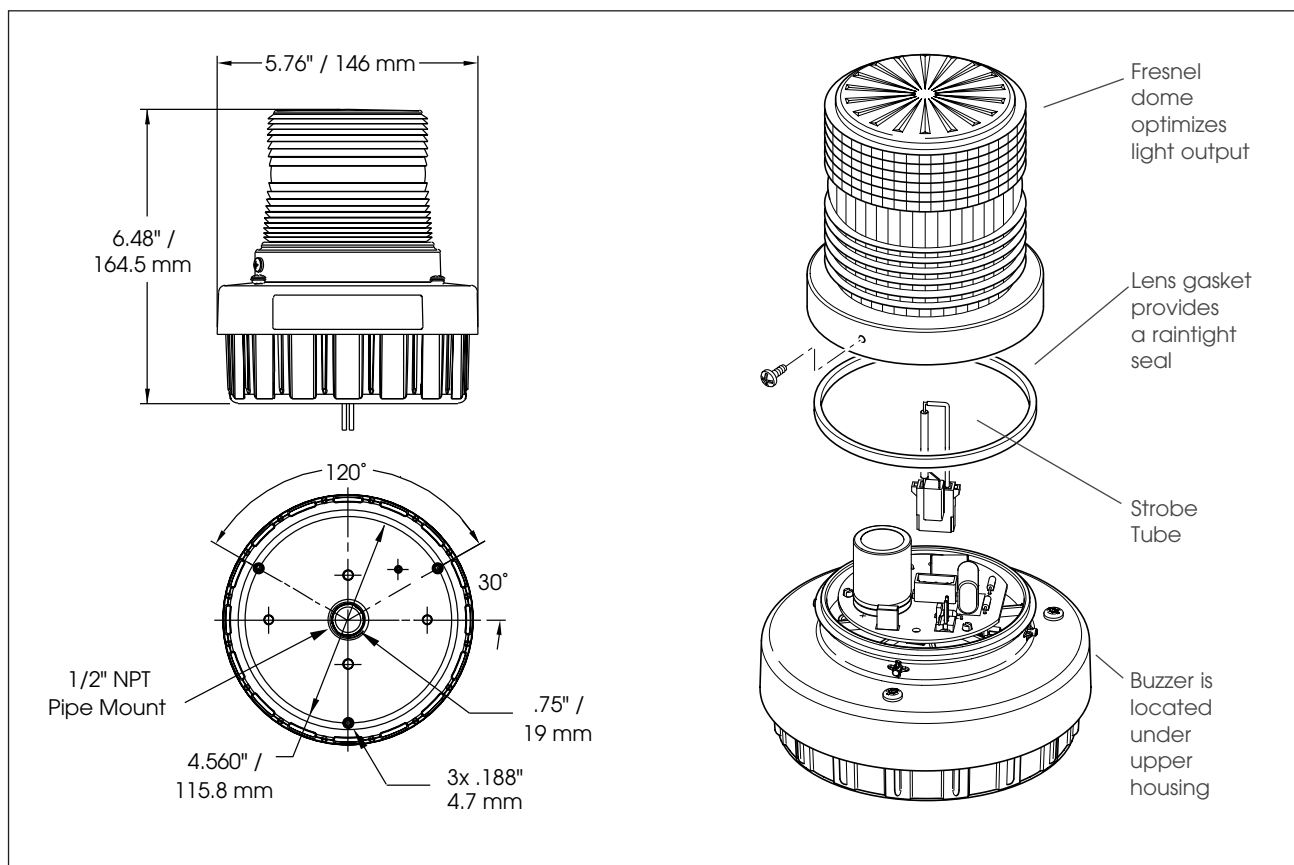
MODEL	VOLTAGE	OPERATING CURRENT	FLASH RATE/ MINUTE	CANDELA		DECIBELS		MOUNT
				PEAK <sup>1</sup>	ECP <sup>2</sup>	10'	1M	
<b>AV1ST-024 *</b>	24VDC	0.39 amps	65-95	175,000	51.5	85	95	1/2" NPT Pipe/Surface
<b>AV1ST-120 *</b>	120VAC	0.15 amps	65-95	175,000	51.5	85	95	1/2" NPT Pipe/Surface

\* Indicates color: (A) Amber, (B) Blue, (C) Clear, (G) Green or (R) Red

<sup>1</sup> Peak candela is the maximum light intensity generated by a flashing light during its light pulse

<sup>2</sup> ECP (Effective Candela) is the intensity that would appear to an observer if the light were burning steadily

## Audible/Visual Signaling Device (AV1ST)



### SPECIFICATIONS

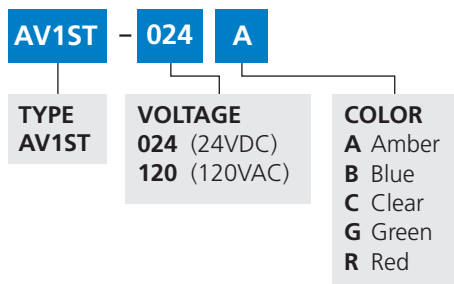
Lamp Life	7,000 Hours	
Light Source:	Strobe tube	
Operating Temperature:	-31°F to 150°F	-35°C to 66°C
Net Weight:	1.25 lbs	0.57 kg
Shipping Weight:	1.75 lbs	0.8 kg
Height:	6.48"	164.5 mm
Diameter:	5.76"	146 mm

### REPLACEMENT PARTS

Description	Part Number
Dome Kit, Amber <sup>1</sup>	K8550292A-02
Dome Kit, Blue <sup>1</sup>	K8550292A-01
Dome Kit, Clear <sup>1</sup>	K8550292A
Dome Kit, Green <sup>1</sup>	K8550292A-04
Dome Kit, Red <sup>1</sup>	K8550292A-03
Strobe Tube	K149130A
Buzzer, 24VDC	K8591002A-01
Buzzer, 120VAC	K8591002A

<sup>1</sup> Includes 1 lens gasket

### HOW TO ORDER



### OPTIONAL ACCESSORIES

Description	Part Number
Corner Bracket	LCMB2*
Wall Bracket	LWMB2*
Hazardous Location Mounting Bracket	LHWB

\*Rated for NEMA 3R installations

Mounting Brackets shown on pages 128-131