

LED HID Replacement: Medium



27-54
watts

3,645-
7,290
lumens

140
lpw

E26/
EX39
base

features

- LED replacement for high wattage HID fixtures from 125W to 200W
- Consumes up to 80% less energy than conventional HID systems
- State-of-the-art LED light sources deliver over 140 lumens per watt
- Lasts 3x longer than metal halide or HPS HID lamps
- Choice of 4000K or 5000K CCT
- Eliminates maintenance costs for over 10 years; no expensive HID lamps or ballasts to replace
- Shatter resistant for reduced risk of injury & breakage
- Integral driver, eliminates the need for external driver or ballast
- Environmentally friendly: contains no glass, mercury, or lead
- E26/EX39: Suitable for use in open or totally enclosed fixtures



performance

- 4000K, 5000K
- 140 lpw
- 80+ CRI
- 50,000 hour life @ L70
- Ballast bypass; direct line only, 120-277V
- No ballast required, disconnect or remove
- Power Factor > 0.9
- Non-dimmable
- Universal mounting position: vertical base-up/base-down or horizontal
- UL1598C – Existing fixtures retain UL certification
- cULus - damp location rated
- Operating temperature: -40°F to 140°F (-40°C to 60°C)
- Built-in 4kV surge protection included

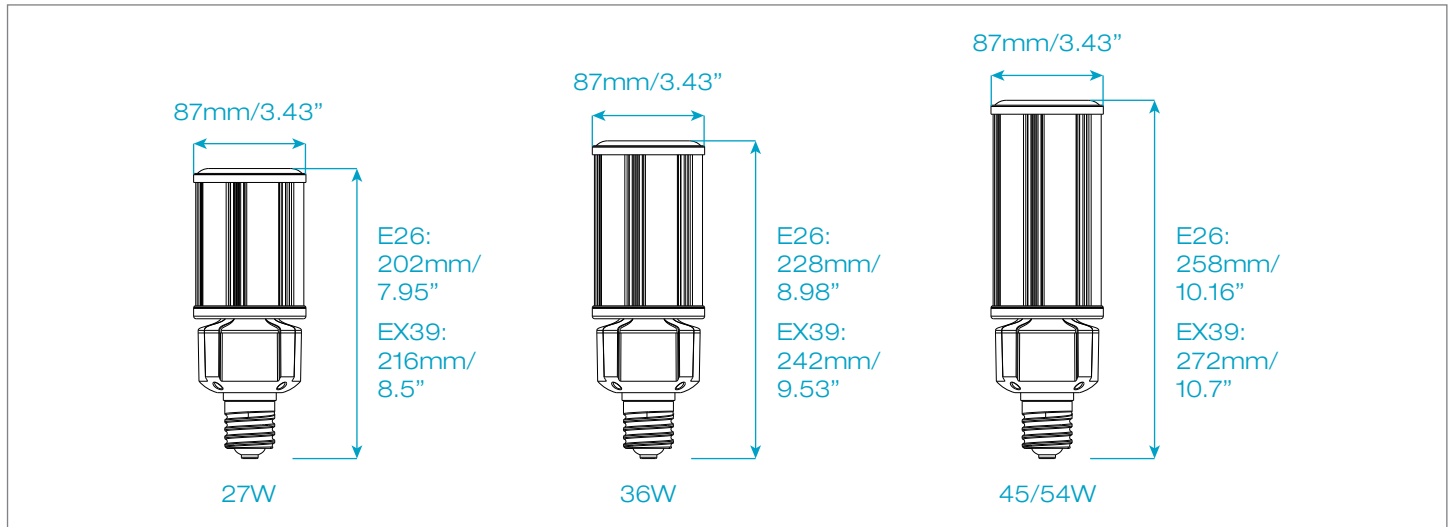
applications

- Industrial
- Commercial



LED HID Replacement: Medium

dimensions



ordering information

	Order Code	Item #	Lm	W	CCT	CRI	V	Life/Hrs L70	Base	Replaces HID	DLC	
Medium (E26) Base	09374	LED27WPT40KMED-G7	3,510	27W	4000K	80+	100-277V	50K	E26	125W		✗
	09376	LED27WPT50KMED-G7	3,645	27W	5000K	80+	100-277V	50K	E26	125W		
	09378	LED36WPT40KMED-G7	4,680	36W	4000K	80+	100-277V	50K	E26	150W		✗
	09380	LED36WPT50KMED-G7	4,860	36W	5000K	80+	100-277V	50K	E26	150W		
	09382	LED45WPT40KMED-G7	5,850	45W	4000K	80+	100-277V	50K	E26	175W		✗
	09384	LED45WPT50KMED-G7	6,075	45W	5000K	80+	100-277V	50K	E26	175W		✗
	09386	LED54WPT40KMED-G7	7,020	54W	4000K	80+	100-277V	50K	E26	200W		✗
	09388	LED54WPT50KMED-G7	7,290	54W	5000K	80+	100-277V	50K	E26	200W		
Mogul (EX39) Base	09375	LED27WPT40KMOG-G7	3,510	27W	4000K	80+	100-277V	50K	EX39	125W	✓	
	09377	LED27WPT50KMOG-G7	3,645	27W	5000K	80+	100-277V	50K	EX39	125W	✓	
	09379	LED36WPT40KMOG-G7	4,680	36W	4000K	80+	100-277V	50K	EX39	150W	✓	
	09381	LED36WPT50KMOG-G7	4,860	36W	5000K	80+	100-277V	50K	EX39	150W	✓	
	09383	LED45WPT40KMOG-G7	5,850	45W	4000K	80+	100-277V	50K	EX39	175W	✓	
	09385	LED45WPT50KMOG-G7	6,075	45W	5000K	80+	100-277V	50K	EX39	175W	✓	
	09387	LED54WPT40KMOG-G7	7,020	54W	4000K	80+	100-277V	50K	EX39	200W	✓	
	09389	LED54WPT50KMOG-G7	7,290	54W	5000K	80+	100-277V	50K	EX39	200W	✓	
	09428	LED54WPT40KMOG-347V-G7*	6,480	54W	4000K	80+	120-347V	50K	EX39	175-250W	✓	
	09450	LED54WPT50KMOG-347V-G7*	6,750	54W	5000K	80+	120-347V	50K	EX39	175-250W	✓	

NOTE: use order code when ordering.

*Canada only.

✓ DesignLights Consortium® Qualified

✗ Lighting Design Lab Qualified

watch > like > follow



23220 W. 84th St, Shawnee, KS 66227 · (P) 1.800.852.2217 (F) 1.800.492.8975
 Canada: 81 King St, Barrie, ON L4N 6B5 · (P) 1.888.410.8151 (F) 1.888.705.1335