

PAR30 Series

LED Lamps

Product Description

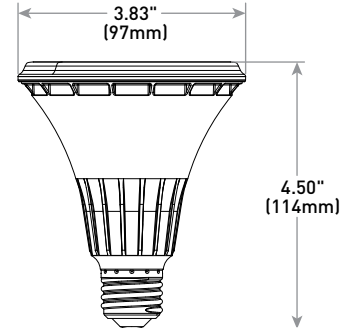
Cree® PAR30 Short and Long Neck LED Spot and Flood Lights for Bright, Focused Light. With a choice of dimmable 25° spot or 40° flood lights to personalize your lighting experience, the Cree PAR30 LED bulb is an ideal choice in areas where focused or dramatic pools of light are desired — such as in a recessed can over a kitchen prep area or a track lighting fixture highlighting artwork on a wall. In addition, this LED bulb delivers a beautiful, bright white light with a high color fidelity that makes colors look the way they were intended.

Performance Summary

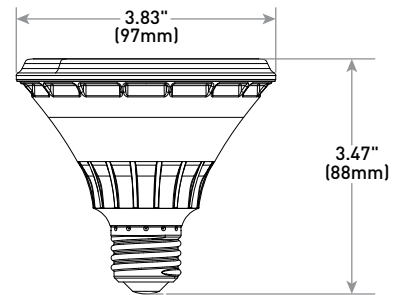
Utilizes Cree TrueWhite® Technology
Beam Spreads: 25° Spot, 40° Flood
Lamp Delivered Light Output: 850 lumens
Input Power: 10.5 watts (75W equivalent)
CRI: >90
CCT: 3000K
100% Satisfaction Guarantee*: 5 years
Lifetime: Designed to last at least 35,000 hours
Dimming: Dimmable to 5% with select dimmers
ENERGY STAR® Certified
Must order in multiples of master carton (MC) quantities; MC = (12) Single-Lamp Cartons
Center Beam Candlepower (CBCP): 1600 cd (flood), 3050 cd (spot)

* See <http://lighting.cree.com/warranty> for warranty terms

Long Neck



Short Neck



Ordering Information

Example: PAR30L-75W-30K-25D-U1

	75W	30K					U1
Product	Watt Equivalent	CCT	Beam Spread	Voltage	Base	CRI	Packaging Options
PAR30L Long Neck PAR30S Short Neck	75W 75 Watt (850 lumens)	30K 3000K	25D 25° Spot - Available only with PAR30L 40D 40° Flood	Blank 120 Volt	Blank E26 (screw base)	Blank >90 CRI	U1 Single-Lamp Carton Master Carton = (12) Single-Lamp Cartons



Rev. Date: V2 05/01/2017



PAR30 Series LED Lamps

Product Specifications

CREE TRUEWHITE® TECHNOLOGY

A revolutionary way to generate high-quality white light, Cree TrueWhite® Technology is a patented approach that delivers an exclusive combination of 90+ CRI, beautiful light characteristics and lifelong color consistency, all while maintaining high luminous efficacy – a true no compromise solution.

CONSTRUCTION & MATERIALS

- PAR30L-type bulb design weighs 10.2 ounces [290g]
- PAR30S-type bulb design weighs 10.4 ounces [295g]
- E26 Medium standard screw type base
- Bulb meets ANSI standards for PAR30 dimensions
- Mercury free
- **Dimensions:** 5.0" H x 3.75" W x 3.75" D (Single-Lamp Carton); 6.0" H x 12.0" W x 15.75" D (Master Carton)

OPTICAL SYSTEM

- Proprietary Cree LED technology delivers consistent and optimal light distribution

ELECTRICAL SYSTEM

- **Power Factor:** > 0.9 nominal
- **Input Voltage:** 120V, 60Hz
- **Dimming:** Dimmable to 5% with select dimmers. Refer to <https://www.creelink.com/viewcontent.asp?qv=1&docid=5344> for additional details
- **Operating Temperature Range:** -25°C - +45°C [-13°F - +113°F]

REGULATORY & VOLUNTARY QUALIFICATIONS

- cULus Listed
- Suitable for damp locations; not for use where exposed directly to weather or water
- Suitable for use in enclosed light fixtures. Lifetime may be reduced if used in air tight enclosures or in insulated ceiling air tight (ICAT) recessed downlight enclosures
- Meets FCC Part 15, Subpart B, Class B standards for conducted and radiated emissions
- **ENERGY STAR® Certified:**
Please refer to www.energystar.gov/productfinder/product/certified-light-bulbs/ results for most current information
PAR30L-75W-30K-25D-U1
PAR30L-75W-30K-40D-U1
PAR30S-75W-30K-40D-U1
- RoHS compliant. Consult factory for additional details

Packaging

(12) Single-Lamp Cartons in Master Carton (12 Total Lamps)



Ordering Number	Single-Lamp Carton UPC	Description	Bulb Type	Watts	CTT	Single-Lamp Cartons per Master Carton	Master Carton ITF-14	Total Lamps per Master Carton	Master Cartons per Pallet Qty	CRI	Lumens	Rated Life (Hrs)
PAR30L-75W-30K-25D-U1	849665017660	75W Bright White PAR Long Neck Equivalent	PAR30	10.5	3000K	12	10849665017667	12	63	>90	850	35,000
PAR30L-75W-30K-40D-U1	849665017677	75W Bright White PAR Long Neck Equivalent	PAR30	10.5	3000K	12	10849665017674	12	63	>90	850	35,000
PAR30S-75W-30K-40D-U1	849665017684	75W Bright White PAR Short Neck Equivalent	PAR30	10.5	3000K	12	10849665017681	12	63	>90	850	35,000