



# LED Lighting Catalog

Fall 2013



## XSP Series Street Lights



XSP1™ (single-module)



XSP2™ / XSP2L™ (double-module)



XSPR™



XSP IP66



## The shape you know with the performance you need.

Designed to resemble traditional cobra heads but with the performance only a Cree® LED solution can provide, the XSP Series is the result of a from-the-ground-up design that provides unmatched illumination performance and value at the street level. Beyond substantial energy and maintenance savings, Cree achieves better optical control with our NanoOptic® Precision Delivery Grid optic than other street lighting solutions. The Cree XSP Series street light is an affordable LED solution that doesn't sacrifice performance.

### BENEFITS

- Improved illumination performance
- Significant energy and maintenance savings
- Eliminate the relamping cycle
- Field Adjustable Output option for increased flexibility
- 10-year limited warranty

### FEATURES

- Minimum 70 CRI
- CCT: 4000K (+/-300K), 5700K (+/-500K)
- Utilizes BetaLED® Technology
- NanoOptic® Precision Delivery Grid optic
- Exclusive DeltaGuard® Finish
- Traditional cobra head appearance
- UL wet listed
- Remote monitoring compatibility

### APPLICATIONS

- Government & municipal, roadway

# XSP Series Street Lights

## Ordering Information

Example: **BXSPA03GA-USR**



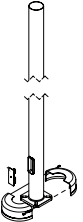


PRODUCT	VERSION	MOUNTING	OPTIC	MODULES	INPUT POWER DESIGNATOR	VOLTAGE	COLOR OPTIONS	OPTIONS	
BXSP	A	0	2	G	A	U	S	F	
			Horizontal Tenon	Type II	4000K (single-module)	52W (single-module)	Universal 120-277V	Silver (Standard)	Fuse
		2	Horizontal/Vertical Tenon	Type II Short	N	or 102W (double-module)	V	T	K
				Type II w/ Backlight Shield	G	5700K (single-module)	Universal 347-480V	Black	Occupancy Control
		3	H	H	L	B	N		
		Type III	4000K (double-module)	168W (double-module)	Platinum Bronze	Utility Label and NEMA Photocell Receptacle			
		H	Type III w/ Backlight Shield	P	5700K (double-module)	White	Field Adjustable Output		
		P	Type IV				NEMA Photocell Receptacle		
							U	Utility	

PRODUCT	VERSION	MOUNTING	OPTIC	MODULES	INPUT POWER DESIGNATOR	VOLTAGE	COLOR OPTIONS	OPTIONS	
BXSPR	A	0	1	F	C	-	U	Y	
				Horizontal Tenon	4000K	42W	US	Universal 120-277V	0-10V Dimming
			2	Type II	M	G	•		N
				Type II	5700K	25W	Canada		Utility Label and NEMA Photocell Receptacle
		3	Type III				R		
			Type III				U	Utility	

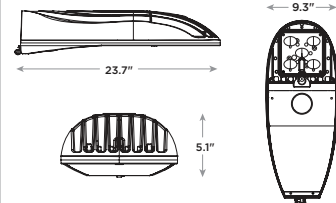
\*Ordering information is for reference only. Some product configurations are not available. Please consult spec sheets for specific product availability and for further details.

## Poles & Tenon Options

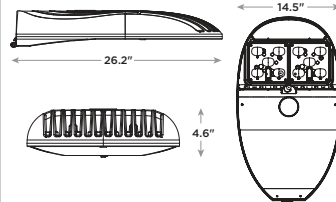
POLE SPECIFICATION	HORIZONTAL TENON OPTIONS
Consult factory for more information.	Consult factory for more information.
 <p><b>PS</b> Crown-Weld® Square Straight Steel Poles</p>	 <p><b>PD-H4</b> Square Internal Mount</p>
 <p><b>PSSR</b> Round Steel Poles</p>	 <p><b>PT-H</b> Round External Mount</p>
 <p><b>PSRV</b> Round Tapered Steel Poles</p>	* Specify mounting configuration.

## Dimensions

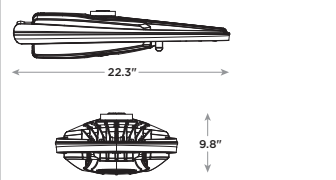
**XSP1™ (SINGLE-MODULE)**



**XSP2™ / XSP2L™ (DOUBLE-MODULE)**



**XSPR™**



## You May Also Be Interested In:



**TRADITIONAL POST-TOP UPGRADE KIT** p.112  
Decorative, Upgrade Solutions

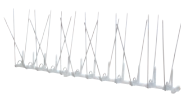


**LEDWAY® SERIES STREET LIGHTS** p.104  
Versatile Street Light Solutions



**CREE EDGE™ AREA** p.94  
Sleek, Modular Area Lighting Solutions

## Accessory Information

BIRD SPIKE OPTIONS*	BACKLIGHT CONTROL SHIELD OPTIONS	FOUR POINT MOUNTING KIT
 <p><b>XA-SP1BRDSPK</b> (single-module)</p> <p><b>XA-SP2BRDSPK</b> (double-module)</p> <p>* Bird Spikes does not apply to XSPR.</p>	<p>Provides 1/2 Mounting Height Cutoff</p> <p><b>XA-SP1BLS</b> (for use with single-module)</p> <p><b>XA-SP2BLS</b> (for use with double-module)</p>	<p><b>XA-XSP4PTMNT</b></p> <p>Includes large bracket for mounting to 2" (51mm) IP, 2.375" (60mm) O.D. tenon, small bracket for mounting to 1.25" (32mm) IP, 1.66" (42mm) O.D. tenon and mounting bolts</p>