

A19

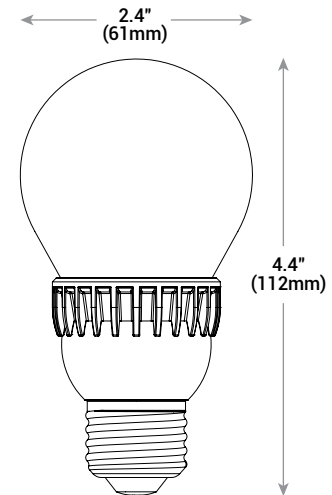
LED Bulbs

Product Description

The Cree® LED A19 bulbs deliver up to 1100 lumens of warm 2700K light or cool 5000K light, while consuming at least 84% less energy than the incandescent bulbs they replace. These lamps feature a consistent and balanced omnidirectional light source within a real glass bulb, turn on instantly, and are compatible with most standard incandescent dimmers. Powered by Cree® LED Filament Tower™ Technology, the Cree® LED A19 bulbs are ENERGY STAR® qualified and are designed to last 25,000 hours.

Performance Summary

Utilizes Cree LED Filament Tower™ Technology
Made in the U.S.A. of U.S. and imported parts
Lamp Delivered Light Output: 450 lumens (40W eq); 800 lumens (60W eq); 1,100 lumens (75W eq)
Input Power : 6 watts (40W eq) 9.5 watts (60W 2700K eq) 9 watts (60W 5000K eq) 13.5 watts (75W eq)
CRI: 80
CCT: 2700K, 5000K*
Limited Warranty†: 3 years
Lifetime: Designed to last at least 25,000 hours
Dimming: Dimmable to 5% with select dimmers**
Must order in multiples of master carton (MC) quantities



Ordering Information

Example: A19-60W-27K-T24



For full list of Cree Quick Ship products visit www.cree.com/lighting/quickship

Product	Watt Equivalent	CCT	Voltage	Base	CRI	Packaging Options
A19	40W 40 Watt (450 lumens) 60W 60 Watt (800 lumens) 75W 75 Watt (1100 lumens)	27K 2700 Kelvin 50K* 5000 Kelvin	Blank 120 Volt	Blank E26 (screw base)	Blank 80 CRI	B1 (6) Blister Pack bulbs in master carton (MC=6) T24 - 40W & 60W Equivalent (24) Tray Pack bulbs in master carton (Bulk Pack) T12 - 75W Equivalent (12) Tray Pack bulbs in master carton (Bulk Pack)

* See www.cree.com/lighting/products/warranty for warranty terms

* Not available for A19 40W equivalent

**Reference www.cree.com/lighting for recommended dimming controls



Rev. Date: V5 10/28/2014



US: www.cree.com/lighting

T (800) 236-6800 F (262) 504-5415

Canada: www.cree.com/canada

T (800) 473-1234 F (800) 890-7507

Product Specifications

CONSTRUCTION & MATERIALS

- A-type bulb design weighs less than 4 ounces (113g) and uses a standard E26 screw base
- Silicon coated globe for increased safety
- Bulb meets ANSI standards for A19 dimensions
- Mercury free

OPTICAL SYSTEM

- Proprietary Cree LED Filament Tower™ creates perfect omnidirectional light distribution
- Glass globe offers increased optical spread

ELECTRICAL SYSTEM

- **Power Factor:** > 0.9 nominal
- **Input Voltage:** 120V
- Dimming: Dimmable to 5% with select dimmers
- Suitable for use in operating environments between -25°C and +45°C (-13°F and +113°F)

REGULATORY & VOLUNTARY QUALIFICATIONS

- cULus Listed
- Suitable for damp locations; not for use where exposed directly to weather or water
- Suitable for use in enclosed light fixtures
- **ENERGY STAR® qualified:**
Please refer to <http://www.energystar.gov/productfinder/product/certified-light-bulbs/results> for most current information
A19 40W (27K): BA19-04527OMF-12DE26-2U100
A19 60W (27K): BA19-08027OMF-12DE26-2U100
A19 60W (50K): BA19-08050OMF-12DE26-2U100
A19 75W (27K): BA19-11027OMF-12DE26-1U100
A19 75W (50K): BA19-11050OMF-12DE26-1U100

A19 B1
(6) Blister Pack bulbs in master carton (MC = 6)



A19 T24 -
40W & 60W Equivalents
(24) Tray Pack bulbs in
master carton (Bulk Pack)



A19 T12 -
75W Equivalents
(12) Tray Pack bulbs in
master carton (Bulk Pack)



Product Number	UPC	Description	Bulb Type	Watts	CCT	Lamps per Master Carton	Pallet Qty	CRI	Lumens	Rated Life (Hrs)
A19-40W-27K-B1*	810048028092	40W Warm White A19 Equivalent	A19	6W	2700K	6	480	80	450	25,000
A19-60W-27K-B1*	810048028108	60W Warm White A19 Equivalent	A19	9.5W	2700K	6	480	80	800	25,000
A19-60W-50K-B1*	810048028115	60W Daylight A19 Equivalent	A19	9W	5000K	6	480	80	800	25,000
A19-75W-27K-B1*	849665001133	75W Warm White A19 Equivalent	A19	13.5W	2700K	6	480	80	1,100	25,000
A19-75W-50K-B1*	849665001140	75W Daylight A19 Equivalent	A19	13.5W	5000K	6	480	80	1,100	25,000
A19-40W-27K-T24	810048028283	40W Warm White A19 Equivalent	A19	6W	2700K	24	1,296	80	450	25,000
A19-60W-27K-T24	810048028290	60W Warm White A19 Equivalent	A19	9.5W	2700K	24	1,296	80	800	25,000
A19-60W-50K-T24	810048028306	60W Daylight A19 Equivalent	A19	9W	5000K	24	1,296	80	800	25,000
A19-75W-27K-T12	849665001171	75W Warm White A19 Equivalent	A19	13.5W	2700K	12	130	80	1,100	25,000
A19-75W-50K-T12	849665001188	75W Daylight A19 Equivalent	A19	13.5W	5000K	12	130	80	1,100	25,000

* Must be ordered in quantities of 6