



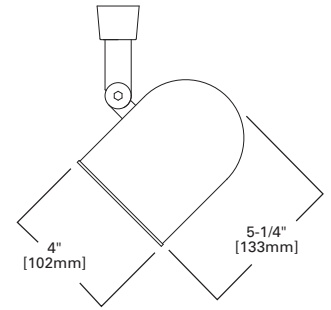
LZR301  
ROUNDBACK  
WITH BAFFLE

**FEATURES**

- Streamlined roundback fixture family
- Quick-lock adapter attaches anywhere along the track channel
- 338° horizontal rotation and 0° to 90° vertical pivot
- Matching arm allows lamp holder to rotate and adjust
- Finishes: White (P), Matte Black (MB), White with White Baffle (P/W)

Compliances may not apply to all product configurations. Please consult the product spec sheet for compliance details.

**COMPLIANCES:** UL Listed, CSA Listed



Max Extension  
8-3/16" [208mm]

Lamp*	Track System	Track Information
50W R20	Halo Single and 2-Circuit	L650, L651, L652, L653, L641, L642, L643, L611, L612, L613, L1631, L1632
50W PAR20	Halo 4-Circuit	L963 Converter required for use with Halo 4-Circuit: L621, L622, L623
60W A19	Halo "LA" Architectural	LA1L Converter required for use with Halo "LA" Linear Architectural Track: LA631, LA632, LA633
	Lazer Track	LZR102, LZR104, LZR106, LZR108

NOTES: \*Lamp not included.



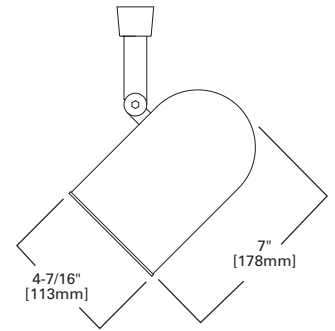
LZR302  
ROUNDBACK  
WITH BAFFLE

**FEATURES**

- Halo Roundback Cylinder lampholders utilize a variety of lamps
- Ideal for accent and display lighting applications
- 338° horizontal rotation and 0° to 90° vertical pivot
- Quick-lock adapter attaches anywhere along the track channel
- Finishes: White (P) and Black (MB)

Compliances may not apply to all product configurations. Please consult the product spec sheet for compliance details.

**COMPLIANCES:** UL Listed, CSA Listed



Max. Extension:  
10" [254mm]

Lamp*	Track System	Track Information
65W BR30	Halo Single and 2-Circuit	L650, L651, L652, L653, L641, L642, L643, L611, L612, L613, L1631, L1632
75W R30	Halo 4-Circuit	L963 Converter required for use with Halo 4-Circuit: L621, L622, L623
75W PAR30	Halo "LA" Architectural	LA1L Converter required for use with Halo "LA" Linear Architectural Track: LA631, LA632, LA633
100W BR25	Lazer Track	LZR102, LZR104, LZR106, LZR108

NOTES: \*Lamp not included.



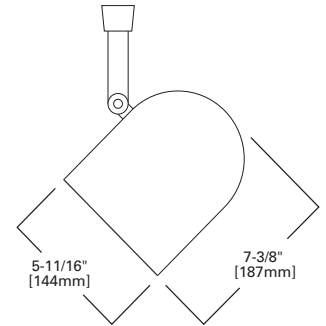
LZR303  
ROUNDBACK  
WITH BAFFLE

**FEATURES**

- Streamlined roundback fixture family
- 338° horizontal rotation and 0° to 90° vertical pivot
- Quick-lock adapter attaches anywhere along the track channel
- Matching arm allows lamp holder to rotate and adjust
- Finishes: White (P) and Matte Black (MB)

Compliances may not apply to all product configurations. Please consult the product spec sheet for compliance details.

**COMPLIANCES:** UL Listed, CSA Listed



Max. Extension:  
11-3/16" [284mm]

Lamp*	Track System	Track Information
150W R40	Halo Single and 2-Circuit	L650, L651, L652, L653, L641, L642, L643, L611, L612, L613, L1631, L1632
150W PAR38	Halo 4-Circuit	L963 Converter required for use with Halo 4-Circuit: L621, L622, L623
	Halo "LA" Architectural	LA1L Converter required for use with Halo "LA" Linear Architectural Track: LA631, LA632, LA633
	Lazer Track	LZR102, LZR104, LZR106, LZR108

NOTES: \*Lamp not included.

Specifications and dimensions subject to change without notice. Consult your Cooper Lighting Representative or visit [www.cooperlighting.com](http://www.cooperlighting.com) for available options, accessories and ordering information.