

SURE-LITES



LEM PathLinx Series

LED Emergency Lighting

Innovation you can rely on™

COOPER Lighting



LED Emergency Lighting

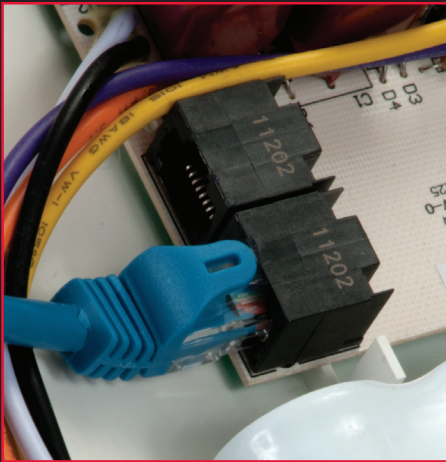
- Advanced technology provides for up to four remote LED heads
- Aesthetic, compact, thin profile design blends into commercial spaces
- Ethernet/CAT-5 cabling option reduces labor and material installation costs
- Patented AccuLED optics provide maximum spacing with elliptical light pattern
- Patent-pending, rotating optic provides maximum flexibility for egress light direction

AccuLED Optics™



AccuLED Precision Engineered Optics

- Sharp cutoffs allow increased spacing and more even egress light distribution.
- Lens swivel feature provides precise control of light pattern on the floor and forward-throw of egress lighting.
- Even light distribution provides nearly identical spacings for both 1 foot candle average and 1 foot candle minimum requirements.



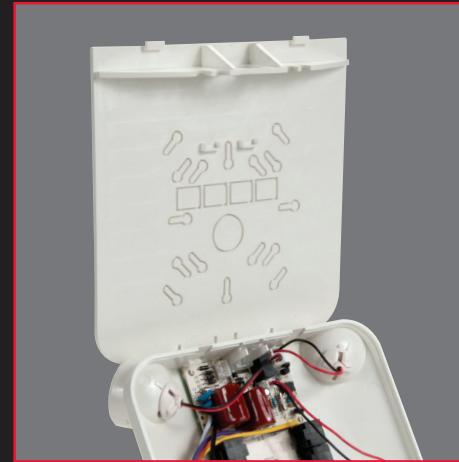
EZ Click Ethernet Connections

The EZ Click ethernet connection provides an opportunity to reduce the cost of labor and materials through an internal power connection. Runs low voltage DC to remotes and avoids the labor and expense associated with conduit and junction box infrastructure. PathLinx remotes can be connected in series via low voltage DC.



EZ Key Power Disconnect

The EZ Key is an external power disconnect. The patent-pending EZ Key technology allows installers to externally control the battery connection, which is better than line-latching. This feature also allows installers to choose when the battery is connected to avoid battery damage during a construction cycle.

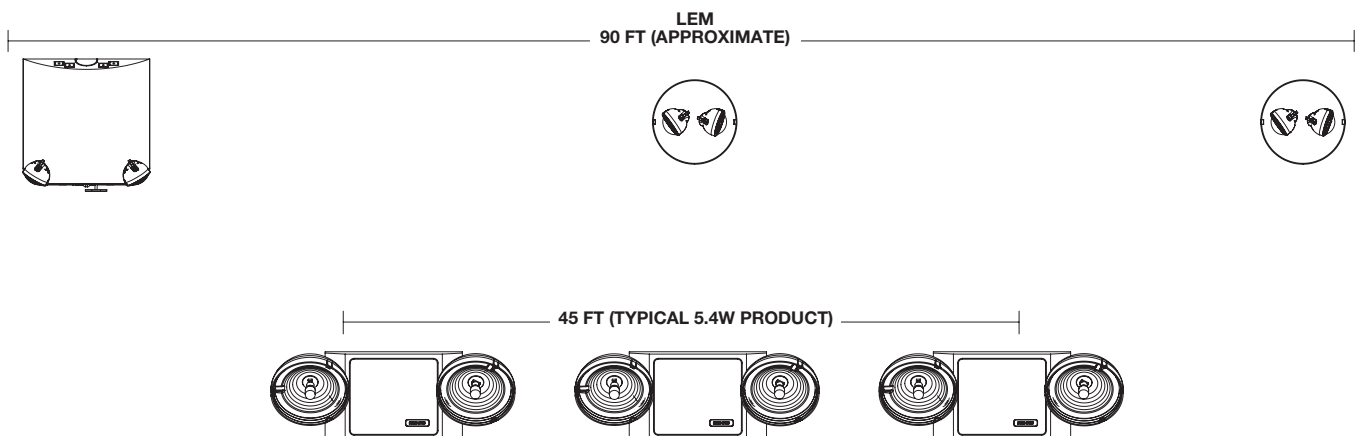


EZ Hang Installation Feature

The hands-free EZ Hang feature allows the installer to hang the emergency light face from the back plate in order to easily and efficiently make the power connections.

Expanded Remote Capability – The PathLinx line has expanded remote capability with up to four additional LED Emergency Light heads, reducing the overall cost of installation. A dual-head remote emergency light can cost up to 60% less than a corresponding dual-head emergency light with battery pack. The PathLinx line utilizes efficient long-life LED emergency light heads, which exceed the lumen output of the traditional 5.4 watt incandescent heads, while meeting the UL924 standards for egress lighting. Low power consumption means expanded remote capability.

Expanded Fixture Spacing – The utilization of LED technology has allowed Sure-Lites to increase the distance between PathLinx fixtures, while meeting UL924 standards for egress lighting. The PathLinx line products have spacing capabilities that are up to 50% greater than traditional incandescent emergency lighting, reducing the overall cost of egress lighting.



Emergency Lighting

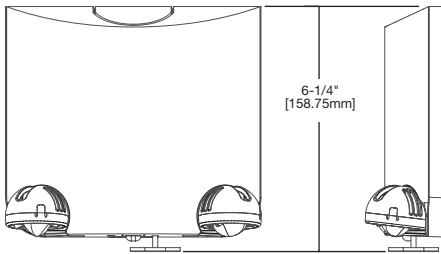
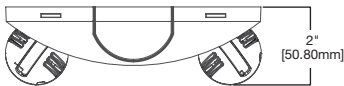


LEM
LED Emergency Light

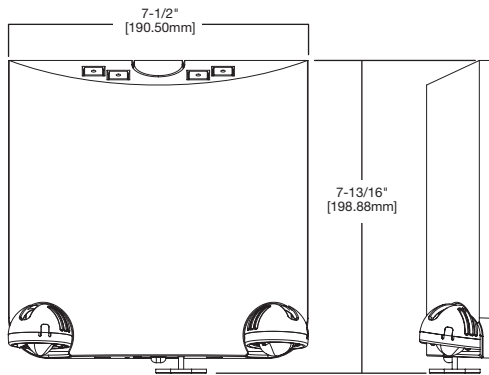
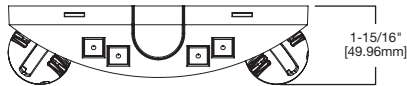


LEM2 / LEM4
LED Emergency Light with Remote Capability

LEM



LEM2 / LEM4



ORDERING INFORMATION

SAMPLE NUMBER: LEM4SD

Emergency Light	Color	Option
LEM =Two head unit; No remote capability LEM2 =Two head unit; Two head remote capability LEM4 =Two head unit; Four head remote capability	[Blank] =White BK =Black	SD =Eagle Eye Self Diagnostic*

* Self Diagnostic option unit comes with Time Delay capability by following installation instructions.

Remotes

Available in 4.8V or 6V



LEM R1
Single Head LED Remote



LEM R2
Double Head LED Remote

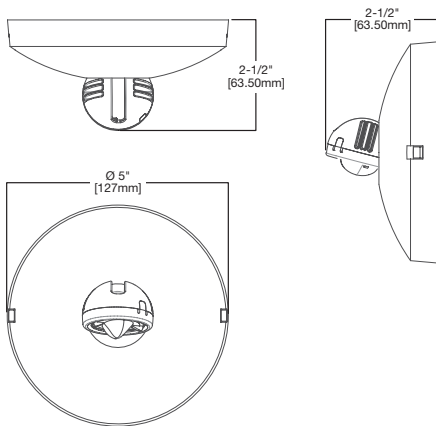


LEMWR1
Single Head Weatherproof
LED Remote

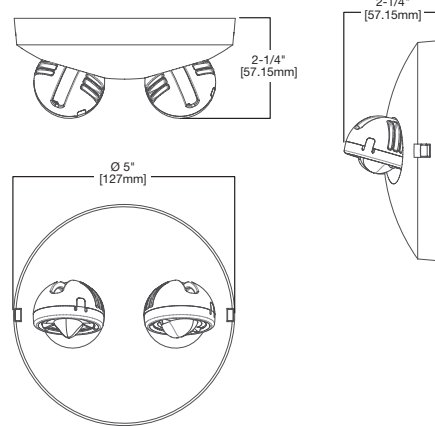


LEMWR2
Double Head Weatherproof
LED Remote

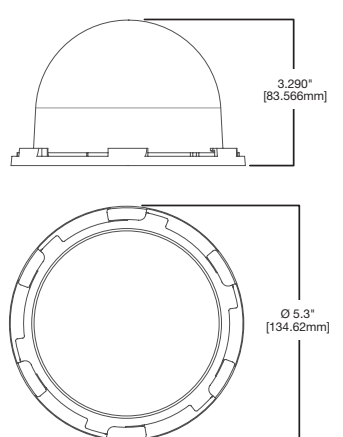
Single Head Remote



Double Head Remote



Wet Location Remote



ORDERING INFORMATION

SAMPLE NUMBER: LEMR2

Emergency Light	Color
LEM R1=Single Head; Damp Location	[Blank]=White
LEM R2=Double Head; Damp Location	BK=Black
LEMWR1=Single Head; Wet Location	
LEMWR2=Double Head; Wet Location	
6LEM85=6V; Single Head; Damp Location; No Ethernet	
6LEM85D=6V; Double Head; Damp Location; No Ethernet	
6LEM85W=6V; Single Head; Wet Location; No Ethernet	
6LEM85DW=6V; Double Head; Wet Location; No Ethernet	

Cooper Lighting

Headquarters
1121 Highway 74 South
Peachtree City, GA 30269
P: 770-486-4800
www.cooperlighting.com

International Sales

Cooper Lighting
1121 Highway 74 South
Peachtree City, GA 30269
P: 770-486-4800
F: 770-486-4801

Canada Sales

Cooper Lighting
5925 McLaughlin Road
Mississauga, Ontario L5R 1B8
P: 905-501-3000
F: 905-501-3172

The Cooper Lighting Family

Halo
Halo Commercial
Portfolio
IRiS
RSA
Metalux
Corelite
Neo-Ray
Fail-Safe
MWS
Ametrix
Shaper
io
Lumark
McGraw-Edison
Invue
Lumière
Streetworks
AtLite
Sure-Lites

Domestic Distribution Facilities

Cranbury, New Jersey
Elk Grove Village, Illinois
Irving, Texas
Bloomington, California
Peachtree City, Georgia

Canadian Distribution Facilities

Calgary, Alberta T2E 7V9
Mississauga, Ontario L5R 1B8

The Cooper Controls Family

Greengate
iLumin
Zero 88
Fifth Light Technology
iLight (International Only)



25% PCRf

Cooper Lighting, Innovation you can rely on, and Sure-Lites are valuable trademarks of Cooper Industries in the United States and other countries. You are not permitted to use the Cooper Trademarks without the prior written consent of Cooper Industries.

Cooper Industries plc
600 Travis, Ste. 5600
Houston, TX 77002-1001
P: 713-209-8400
www.cooperindustries.com