

DESCRIPTION

A low brightness 6" aperture lensed downlight for use in wet locations which accepts PAR30, A19, and A21 lamps. The deeply regressed lens provides superb shielding to eliminate brightness at higher angles. Choice of lenses for various aesthetics. The modular housing will also accept various downlight and wall wash reflectors.

Catalog #		Type
Project		
Comments		Date
Prepared by		

SPECIFICATION FEATURES

A ... Reflector

Clear upper Alzak® reflector for maximum output. Positive reflector mounting pulls trim tight to ceiling. .050" spun aluminum lower reflector available in a variety of Alzak® finishes. Painted white finish as well as white or black baffles.

B ... Lens

Choice of tempered fresnel, prismatic, diffuse, or clear glass lenses. Lens is fixed to lower reflector.

C ... Trim Ring

Self flanged or molded white trim ring. Metal trim ring and rimless trim ring accessories available (See Options and Accessories).

D ... Socket Cap

One piece heat dissipating die-cast aluminum.

E ... Universal Mounting Bracket

Accepts 1/2" EMT, C channel, T bar fasteners, and bar hangers (See Accessories). Provides 5" total vertical adjustment.

F ... Housing

Precision die-cast aluminum 1-1/2" (38mm) deep collar. Optical assembly adjusts within the housing to accommodate ceilings up to 4 1/2" (108mm) thick.

G ... Conduit Fittings

Die-Cast screw tight connectors.

H ... Junction Box

Galvanized with (6) 1/2" and (2) 3/4" KO's. Listed for twelve #12AWG (six in, six out) 90C conductors and feed through branch wiring.

I ... Socket

Medium base porcelain base socket with nickel plated screw shell to prevent lamp freeze.

Insulation Detector

Self resetting insulation detector opens a circuit if insulation is improperly installed.

Labels

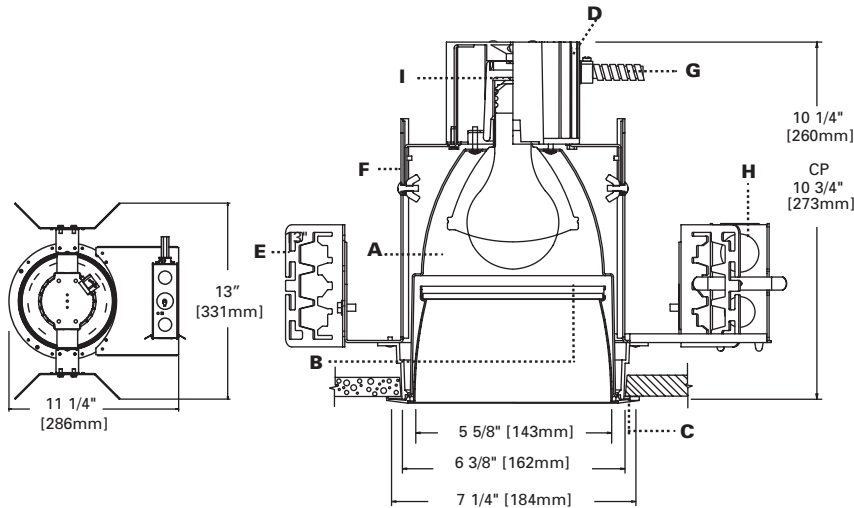
cULus, wet location listed.



HD6 6781/6780

**75W PAR30
100W A19
150W A21**

**6" LENSED
DOWNLIGHT**



ORDERING INFORMATION

Sample Number: Complete unit consists of housing, ballast and trim.

--	--	--	--	--	--	--	--	--	--

Housing

HD6- 6" Incandescent

Options

CP- Chicago Plenum

Trims

6781- Self Flanged
6780- Molded Trim Ring

Finish

B- Specular Black
G- Specular Gold
GP- Graphite
GPH- Graphite Haze
H- Semi-Specular Clear
LI- Specular Clear
W- Gloss White
WH- Wheat
WHH- Wheat Haze
WMH- Warm Haze
BB- Black Baffle (6780 only)
WB- White Baffle (6780 only)

Lens

1G- Prismatic Glass
2G- Diffuse Glass
3G- Clear Glass
4G- Fresnel Glass

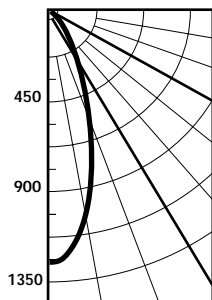
Option

WF- White Painted Flanged (Self Flanged only)

Accessories

H277- Step Down Transformer, 300VA Max
HB26- C Channel Bar Hangers, 26" Long, Pair
HB50- C Channel Bar Hangers, 50" Long, Pair
FK5- 5 Amp Field Installable Fuse Kit 300V Max
RMB-22- Wood Joist Bar Hanger, 22" Long, Pair
HSAB- Slope Adapter for 6" Aperture Housings, Specify Slope

Candlepower Distribution



Test No. H22463
HD6 6780LI1G
 Lamp = 75PAR30L/H
 AL/FL40
 75W
 Lumens = 940
 Spacing Criteria = 0.6
 Efficiency = 74.7%

Candlepower

Deg.	CD
0	1217
5	1163
15	807
25	411
35	156
45	56
55	27
65	5
75	1
85	1
90	0

Average Luminance

Deg.	CD/SQ M
45	4726
55	2809
65	706
75	231
85	685

Cone of Light

Distance to Illuminated Plane	Initial Nadir Footcandles	Beam Diameter
6' 0"	34	4' 0"
7' 0"	25	4' 5"
8' 0"	19	5' 0"
10' 0"	12	6' 5"
12' 5"	8	8' 0"
15' 0"	5	9' 5"

Beam diameter is to 50% of maximum footcandles, rounded to the nearest half-foot.

Footcandle values are initial, apply appropriate light loss factors where necessary.

Zonal Lumen Summary

Zone	Lumens	%Lamp	%Luminaire
0-30	520	55.3	74.1
0-40	621	66.0	88.4
0-60	690	73.4	98.3
0-90	702	74.7	100.0
90-180	0	0.0	0.0
0-180	702	74.7	100.0

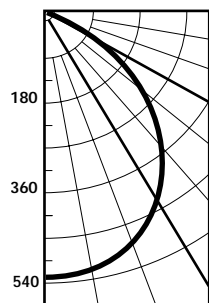
Coefficient of Utilization

rc	80%			70%			50%		30%		10%		0%	
	rw	70	50	30	10	50	30	10	50	10	50	10	0	
RCR														
0	89	89	89	89	87	87	87	83	83	80	80	76	76	75
1	85	83	81	79	81	80	78	78	76	75	73	73	71	70
2	81	77	74	72	76	73	71	73	69	71	68	69	66	65
3	77	72	68	65	71	68	65	69	64	67	63	66	62	61
4	73	68	63	60	67	63	60	65	59	64	59	62	58	57
5	70	64	59	56	63	59	56	61	55	60	55	59	54	53
6	66	60	56	52	59	55	52	58	52	57	51	56	51	50
7	63	57	52	49	56	52	49	55	49	54	49	53	48	47
8	61	54	49	46	53	49	46	52	46	52	46	51	46	45
9	58	51	47	44	51	47	44	50	44	49	43	49	43	42
10	56	49	44	42	48	44	42	48	41	47	41	47	41	40

rc = Ceiling reflectance, rw = Wall reflectance, RCR = Room cavity ratio

CU Data Based on 20% Effective Floor Cavity Reflectance.

Candlepower Distribution



Test No. H22465
HD6 6780LI2G
 Lamp = 150W A21
 SW
 Lumens = 2310
 Spacing Criteria = 1.2
 Efficiency = 43.7%

Candlepower

Deg.	CD
0	534
5	534
15	520
25	462
35	372
45	260
55	139
65	19
75	4
85	2
90	0

Average Luminance

Deg.	CD/SQ M
45	21974
55	14491
65	2725
75	1014
85	1027

Cone of Light

Distance to Illuminated Plane	Initial Nadir Footcandles	Beam Diameter
6' 0"	15	7' 0"
7' 0"	11	8' 0"
8' 0"	8	9' 5"
10' 0"	5	11' 5"
12' 5"	3	14' 5"
15' 0"	2	17' 5"

Beam diameter is to 50% of maximum footcandles, rounded to the nearest half-foot.

Footcandle values are initial, apply appropriate light loss factors where necessary.

Zonal Lumen Summary

Zone	Lumens	%Lamp	%Luminaire
0-30	410	17.7	40.6
0-40	642	27.8	63.7
0-60	968	41.9	95.9
0-90	1009	43.7	100.0
90-180	0	0.0	0.0
0-180	1009	43.7	100.0

Coefficient of Utilization

rc	80%			70%			50%		30%		10%		0%	
	rw	70	50	30	10	50	30	10	50	10	50	10	0	
RCR														
0	52	52	52	52	51	51	51	49	49	47	47	45	45	44
1	49	47	46	45	46	45	44	45	43	43	41	41	40	39
2	45	43	40	38	42	40	38	40	37	39	36	38	36	35
3	42	39	36	33	38	35	33	37	33	36	32	34	32	31
4	39	35	32	29	34	31	29	33	29	32	28	31	28	27
5	36	32	28	26	31	28	26	30	26	30	25	29	25	24
6	34	29	26	23	29	25	23	28	23	27	23	26	23	22
7	32	26	23	21	26	23	21	26	21	25	20	24	20	20
8	30	24	21	19	24	21	19	24	19	23	19	23	18	18
9	28	23	19	17	22	19	17	22	17	21	17	21	17	16
10	26	21	18	16	21	18	16	20	16	20	16	20	15	15

rc = Ceiling reflectance, rw = Wall reflectance, RCR = Room cavity ratio

CU Data Based on 20% Effective Floor Cavity Reflectance.