

DESCRIPTION

H36ICAT is a shallow IC AIR-TITE™ fixture for use with H3 3" series trims. Housing is AIR-TITE rated to prevent airflow between heated or air conditioned spaces and unconditioned attic areas. For use with 120V GU10 lamps.

H36ICAT is IC rated and may be used in insulated 2x6 ceilings and be covered with insulation material.

Catalog #		Type
Project		
Comments		Date
Prepared by		

SPECIFICATION FEATURES

Housing

IC and AIR-TITE™ rated double wall aluminum construction. Shallow height for 2x6 joist spaces.

Plaster Frame

Housing adjusts in plaster frame to accommodate up to 1-1/2" ceiling thickness. Galvanized steel construction.

Plaster frame features include:

- Regressed locking screw for securing hanger bars.
- Cutouts for easily crimping hanger bars in position.
- Halo name embossed on plaster frame.
- The inner can housing may be removed from the plaster frame to provide access to the junction box.
- Pre-installed AIR-TITE gasket.

Got NAIL!™ Bar Hangers

- Pre-installed nail easily installs in regular lumber, engineered lumber and laminated beams.
- Safety and guidance system prevents snagging, ensures smooth straight nail penetration and allows bar hangers to be easily removed if necessary.
- Automatic levelling flange aligns the housing and lets you hold the housing in place with one hand while driving nails.

- Housing can be positioned at any point within 24" joist span
- Pass-N-Thru™ feature allows bar hangers to be shortened without removing from plaster frame.
- Score lines allow "toolless" shortening.
- Bar hangers may be repositioned 90°.
- Integral T-bar clip snaps onto T-bars - no additional clips required.

Junction Box

- UL Listed for through branch circuit wiring (maximum 8 No.12 ga., 90°C conductors).
- Four 1/2" trade size conduit knockouts with true pry-out slots are positioned to accommodate straight conduit runs.
- Three Slide-N-Side™ wire traps allow non-metallic sheathed cable to be installed without tools and without removing knockouts. Accepts a wide range of non-metallic sheathed cable.
- Allows wiring connections to be made outside the junction box
- Simply insert the cable directly into the trap after connections are made.

- Three push-in wire connectors are included and eliminate the need for separate wire nuts.

- Accommodates the following standard non-metallic sheathed cable sizes:
(US) #14/2, #14/3, #12/2, #12/3
(Canada) #14/2, #14/3, #12/2

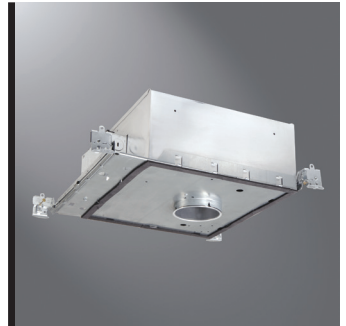
Socket

GU10 socket for 120V GU10 lamps.

Labels

- UL/cUL Listed 1598 Luminaire
 - UL/cUL Damp Location Listed
 - UL/cUL Listed for Feed Through
 - UL/cUL listed for Direct Contact with Insulation and combustible material*
- Meets following IC - AIR-TITE™ requirements:
- State of California Title 24
 - Washington State Energy Code
 - International Energy Conservation Code (IECC)
 - New York State Energy Conservation Construction Code
 - Certified Under ASTM-E283 for air tight construction.

*Not for use in direct contact with spray foam insulation (Refer to NEMA LSD57-2013)



H36ICAT

**3" Insulated Ceiling
AIR-TITE™ Recessed Shallow
Housing
120V GU10**

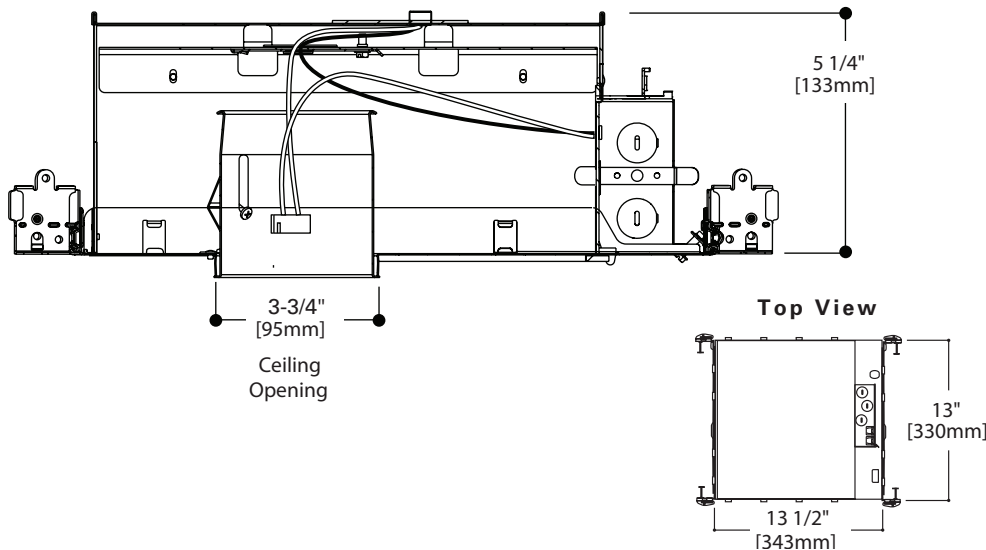
FOR USE IN INSULATED
CEILINGS

CAN BE COVERED WITH
INSULATION



120V GU10

Transformer Data:



air-tite™



- Slide-N-Side™ Junction Box
- GOT NAIL!™ Bar Hangers
- Pass-N-Thru™ Bar Hangers
- Regressed Locking Screw
- Quick-Connect Wiring Connectors
- HALO ID on Plaster Frame

ORDERING INFORMATION

SAMPLE NUMBER: H36ICAT-3001WHBB

Order housing and trims separately.

Housing

Trims

H36ICAT

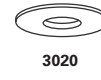
H36ICAT= 3" IC, AIR-TITE™
Small Aperture
Line Voltage GU10
Shallow Housing



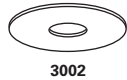
Adjustable Pinhole Baffle - 15° Tilt
50W 120V GU10
3001WHBB=White with Black Baffle
3001BKBB=Black with Black Baffle
3001SNBB=Satin Nickel with Black Baffle
3001TBZBB=Tuscan Bronze with Black Baffle
OD: 4-1/4" [108mm]



Adjustable Gimbal- 35° Tilt
50W 120V GU10
3009WHBB=White with Black Baffle
3009WHWB=White with White Baffle
3009BKBB=Black with Black Baffle
3009SNBB=Satin Nickel with Black Baffle
3009TBZBB=Tuscan Bronze with Black Baffle
OD: 4-1/4" [108mm]



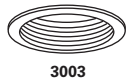
Wall Wash
50W 120V GU10
3020WW=White Downlight & Wall Wash
with Integral Kick Reflector
OD: 4-1/4" [108mm]



Adjustable Pinhole Reflector- 15° Tilt
50W 120V GU10
3002WHC=White with Clear Reflector
OD: 4-1/4" [108mm]



Super Adjustable- 0 - 80° Adjustment
50W 120V GU10
3010WH=White
3010SN=Satin Nickel
3010TBZ=Tuscan Bronze
OD: 4-1/4" [108mm]



Adjustable Baffle- 35° Tilt
50W 120V GU10
3003WHBB=White with Black Baffle
3003WHWB=White with White Baffle
3003BKBB=Black with Black Baffle
3003SNB=Satin Nickel with Satin Nickel Baffle
3003TBZB=Tuscan Bronze with Tuscan Bronze Baffle
OD: 4-1/4" [108mm]



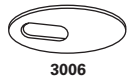
Square Adjustable - 15° Tilt
50W 120V GU10
3011WHBB=White with Black Baffle
3011WHWB=White with White Baffle
3011BKBB=Black with Black Baffle
3011SNBB=Satin Nickel with Black Baffle
3011TBZBB=Tuscan Bronze with Black Baffle
OD: 4-1/4" [108mm]



Adjustable Reflector- 35° Tilt
50W 120V GU10
3004WHC=White with Clear Reflector
3004SN=Satin Nickel with Satin Nickel Reflector
3004TBZ=Tuscan Bronze with Tuscan Bronze Reflector
3004WHH=White with Haze Reflector
3004WHW=White with White Reflector
OD: 4-1/4" [108mm]



Square Regressed Lens Adjustable Showerlight - 15° Tilt
50W 120V GU10
3012WHBB=White with Black Baffle
3012WHWB=White with White Baffle
3012BKBB=Black with Black Baffle
3012SNBB=Satin Nickel with Black Baffle
3012TBZBB=Tuscan Bronze with Black Baffle
OD: 4-1/4" [108mm]



Adjustable Slot Aperture- 35° Tilt
50W 120V GU10
3006WHBB=White with Black Baffle
3006BKBB=Black with Black Baffle
3006SNBB=Satin Nickel with Black Baffle
3006TBZBB=Tuscan Bronze with Black Baffle
OD: 4-1/4" [108mm]



Square Adjustable Gimbal - 35° Tilt
50W 120V GU10
3013WH=White
3013BK=Black
3013SN=Satin Nickel
3013TBZ=Tuscan Bronze
OD: 4-1/4" [108mm]



Regressed Lens Showerlight- 15° Tilt - Wet Location Listed
50W 120V GU10
3007WHC=White with Clear Reflector
3007PCC=Polished Chrome with Clear Reflector
3007SN=Satin Nickel with Satin Nickel Reflector
3007TBZ=Tuscan Bronze with Tuscan Bronze Reflector
OD: 4-1/4" [108mm]



All-Glass Frost Curve Showerlight - Wet Location Listed
50W 120V GU10
3017FGS=All-Glass Frost Curve with Clear Glass Center - Showerlight
OD: 4-1/4" [108mm]



Showerlight - Wet Location Listed
50W 120V GU10
3008FG=White Polymer and Glass Lens with Frosted Perimeter
OD: 4-1/4" [108mm]

Accessories

Lamp
Z28= GU10, 50W, 120V lamp