

DESCRIPTION

High efficiency, low brightness 6-inch aperture wide beam reflector for use with compact fluorescent lamps. The precisely formed non-imaging optical reflector ensures 60° cutoff to lens and lens image and the one piece design eliminates light leaks at the ceiling. Adjustable socket locks lamp into optimal position and cannot be disturbed by normal maintenance. Standard features include low iridescent finish on all reflector colors and venting to ensure maximum lamp life and lumen output. Optics offer unparalleled performance in glare free lighting with a smooth beam devoid of hot spots. Medium beam, wide beam, lensed, and open wall wash reflectors are interchangeable within the same housing.

SPECIFICATION FEATURES

Optical Reflector

Clear upper Alzak® reflector for maximum light output. Positive reflector mounting, without tools, pulls trim tight to ceiling. Lower spun parabolic reflector, .050 thick aluminum available in a variety of Alzak® finishes.

Lens

Choice of tempered fresnel, prismatic, diffuse, or clear glass lenses or molded prismatic acrylic, opal diffuser, or clear UV stabilized acrylic.

Mechanical Housing Mounting Frame

One piece precision die cast aluminum 1-1/2" deep collar accommodates varying dimensions of ceiling materials.

Universal Mounting Bracket

Accepts 1/2" EMT, C Channel, T bar fasteners, and bar hangers. Adjusts 5" vertically from above or below ceiling.

Conduit Fittings

Die cast screw tight connectors.

Junction Box

Listed for eight #12AWG (four in, four out) 90°C conductors feed through branch wiring. 1/2" and two 3/4" pry outs. Positioned to allow straight conduit runs. Access to junction box by removing reflector.

Trim Ring Options

Self flanged or molded white trim ring. Rimless trim ring accessory available.

Catalog #		Type
Project		
Comments		Date
Prepared by		

Socket Cap

One piece vented and finned die cast aluminum cap for maximum thermal performance.

Socket

4-pin GX24q3/4 fatigue free stainless steel lamp spring ensures positive lamp retention.

Electronic Ballast with Quick Disconnect

Electronic ballast provides full light output and rated lamp life. Provides flicker free and noise free operation and starting. End of lamp life protection is standard.

Labels

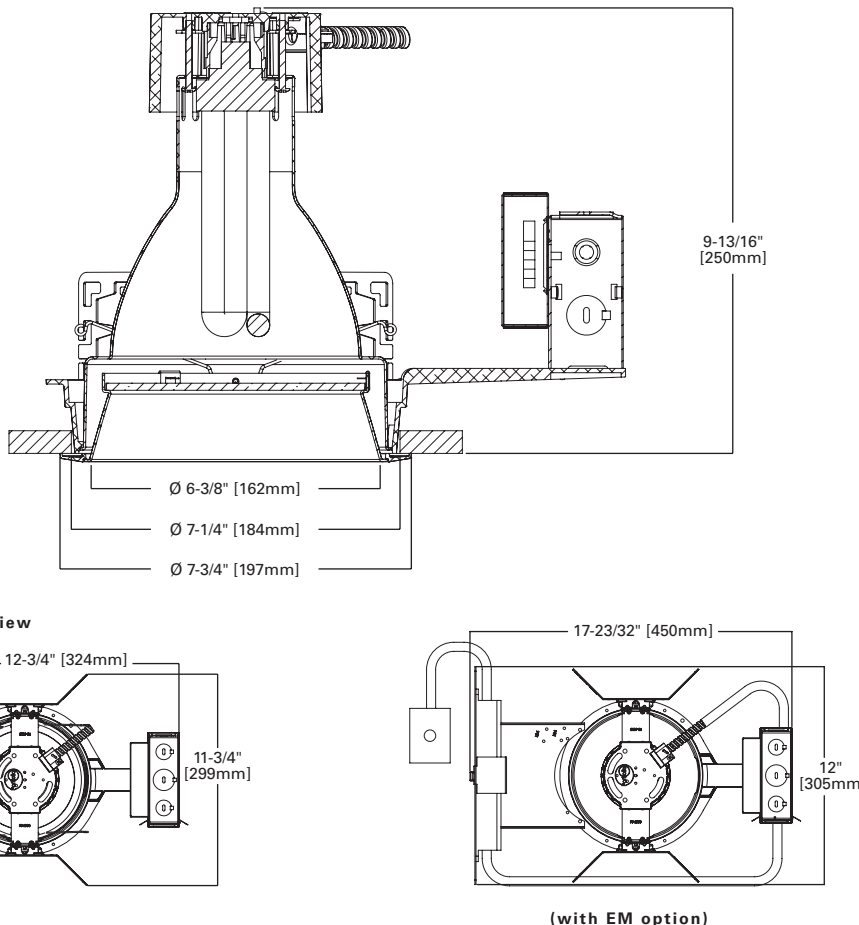
cULus listed, standard wet label. Electronic ballast housings include peel down wattage label from 42W down to 26W allowing de-rating to meet max wattage requirements. Meets IECC, ASHRAE, and Title 24 commercial standards.



**CD6013
CD6018
CD6042
6CLV142W**

**13W or 18W TTT
26/32/42W TTT or PLT
Compact Fluorescent**

**6-Inch Vertical
Wide Beam Lens Downlight**



ENERGY DATA	
13W DTT	
Ballast: Electronic	
120V Input Watts: 16	Line Amps: 0.13
277V Input Watts: 16	Line Amps: 0.05
18W DTT	
Ballast: Electronic	
120V Input Watts: 19	Line Amps: 0.15
277V Input Watts: 19	Line Amps: 0.07
26W TTT	
Ballast: Electronic	
120V Input Watts: 27	Line Amps: 0.23
277V Input Watts: 29	Line Amps: 0.11
32W TTT	
Ballast: Electronic	
120V Input Watts: 36	Line Amps: 0.31
277V Input Watts: 36	Line Amps: 0.13
42W TTT	
Ballast: Electronic	
120V Input Watts: 46	Line Amps: 0.38
277V Input Watts: 46	Line Amps: 0.17
Power Factor: >0.99	THD: <10%
Min. Starting Temperature: -18°C (0°F)	
Sound Rating: Class A Standards	

NOTES: Accessories should be ordered separately. For additional options, please consult your Cooper Lighting Representative. Alzak is a registered trademark of Aluminum Company of America.



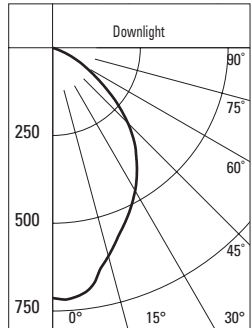
EXAMPLE: CD6042E 6CLV042W1L11

Housing	Ballast	Options	Trims	Finish	Lens	Option	Accessories
<p>CD6042=6" vertical 26/32/42W TTT lamp</p> <p>CD6013=6" vertical 13W TTT lamp</p> <p>CD6018=6" vertical 18W TTT lamp</p>	<p>E=120/277V 50/60 Hz Electronic</p> <p>3E=347V 50/60 Hz Electronic</p> <p>EDR26=26W Derated label Electronic</p> <p>EDR32=32W Derated label Electronic</p> <p>D5LT=18W 120-277V Fifth Light (DALI Dimming) (CD6018 only)</p> <p>D5LT42=42W 120-277V Fifth Light (DALI) Dimming</p> <p>D5LT32=32W 120-277V Fifth Light (DALI) Dimming</p> <p>D5LT26=26W 120-277V Fifth Light (DALI) Dimming</p> <p>3D5LT32=32W 347V Fifth Light (DALI) Dimming</p> <p>3D5LT26=26W 347V Fifth Light (DALI) Dimming</p> <p>D42=42W 120-277V Dimming, Lutron EcoSystem/ 3-Wire Control (Factory Wired for 3-Wire)</p> <p>D26/32=26 or 32W 120-277V Dimming, Lutron EcoSystem/ 3-Wire Control (Factory Wired for 3-Wire)</p> <p>D=120-277V Dimming Lutron EcoSystem/ 3-Wire Control (Factory Wired for 3-Wire)</p> <p>D26MARKVII=26W 120-277V Advance MARK7</p> <p>D32MARKVII=32W 120-277V Advance MARK7</p> <p>D42MARKVII=42W 120-277V Advance MARK7</p> <p>DMARKVII=18W 120-277V Advance MARK 7 (CD6018 only)</p> <p>1D26MARKX=26W 120V Advance MARK 10</p> <p>1D32MARKX=32W 120V Advance MARK 10</p> <p>1D42MARKX=42W 120V Advance MARK 10</p> <p>2D26MARKX=26W 277V Advance MARK 10</p> <p>2D32MARKX=32W 277V Advance MARK 10</p> <p>2D42MARKX=42W 277V Advance MARK 10</p> <p>1DMARKX=18W 120V Advance MARK 10 (CD6018 only)</p> <p>2DMARKX=18W 277V Advance MARK 10 (CD6018 only)</p>	<p>CP=Chicago Plenum</p> <p>EM=Emergency Module with remote test switch ²</p>	<p>6CLV142W1=6" self flanged wide beam reflector</p> <p>6CLV142W0=6" wide beam reflector with polymer trim ring</p>	<p>Alzak® Finishes</p> <p>L=Specular Clear</p> <p>H=Semi-Specular Clear</p> <p>WMH=Warm Haze</p> <p>G=Gold</p> <p>WH=Wheat</p> <p>WHH=Wheat Haze</p> <p>GP=Graphite</p> <p>GPH=Graphite Haze</p> <p>B=Black</p> <p>Painted Finishes</p> <p>W=Gloss White</p> <p>WB=White Baffle (polymer trim ring only)</p> <p>BB=Black Baffle (polymer trim ring only)</p>	<p>1=Prismatic Acrylic Lens</p> <p>2=Diffuse Acrylic Lens</p> <p>3=Clear Acrylic Lens</p> <p>1G=Prismatic Glass Lens</p> <p>2G=Diffuse Glass Lens</p> <p>3G=Clear Glass Lens</p> <p>4G=Fresnel Glass Lens</p> <p>5=Crossblade</p>	<p>WF=White Painted Flange</p>	<p>HB26=C Channel Bar Hangers, 26" Long, Pair</p> <p>HB50=C Channel Bar Hangers, 50" Long, Pair</p> <p>TRRC6=Rimless Trim Ring, White ¹</p> <p>FK5=5 Amp Field Installable Fuse Kit 300V Max</p> <p>RMB22=Wood Joist Bar Hanger, 22" Long, Pair</p> <p>HSAC6=Slope Adapter for 6" Aperture Housings, Specify Slope</p> <p>TRMC6=CFL Metal Trim Ring ¹</p>

Notes: ¹ Order trim with polymer trim ring. ² Not available with Chicago Plenum. (Consult specification sheet for ordering information and options).

PHOTOMETRICS

Candlepower Distribution Curve



Test No. P13321
CD6042E 6CLV142W1L11
Lumens = 2400
Efficiency = 49.60%
Lamp = 32W TTT
SC = 1.01

Cone of Light

Distance Fixture to Lighted Plane	Initial Footcandles at Nadir	Beam Diameter
5.5'	24	5.4'
7.5'	13	7.4'
8'	11	8'
10'	7	10'
12'	5	12'

Candela Distribution

Degrees Vertical	Candela
0	708
5	709
15	611
25	514
35	417
45	303
55	163
65	64
75	8
85	0
90	0

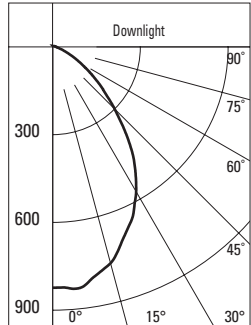
Zonal Lumen Summary

Zone	Lumens	%Fixture
0-30	476	40.0
0-40	736	62.0
0-60	1115	93.9
0-90	1188	100.0
90-180	0	0.0
0-180	1188	100.0

Luminance

Average Candela/M ²	Avg. 0° Luminance
45	20801
55	13795
65	7351
75	1500
85	0

Candlepower Distribution Curve



Test No. P13322
CD6042E 6CLV142W1L13
Lumens = 2400
Efficiency = 54.20%
Lamp = 32TTT
SC = 1.06 - 1.06

Cone of Light

Distance Fixture to Lighted Plane	Initial Footcandles at Nadir	L/W
5.5'	27	5.8' 5.8'
7.5'	15	7.8' 7.8'
8'	13	8.4' 8.4'
10'	8	10.6' 10.6'
12'	6	12.6' 12.6'

Candela Distribution

Degrees Vertical	Candela
0	822
5	829
15	764
25	643
35	484
45	292
55	148
65	50
75	7
85	1
90	0

Zonal Lumen Summary

Zone	Lumens	%Fixture
0-30	586	45.0
0-40	886	68.1
0-60	1243	95.5
0-90	1302	100.0
90-180	0	0.0
0-180	1302	100.0

Luminance

Average Candela/M ²	Avg. 0° Luminance
45	20046
55	12526
65	5743
75	1313
85	557