

# COMMERCIAL RECESSED COMPACT FLUORESCENT INSTALLATION INSTRUCTIONS - INTERNAL EMERGENCY

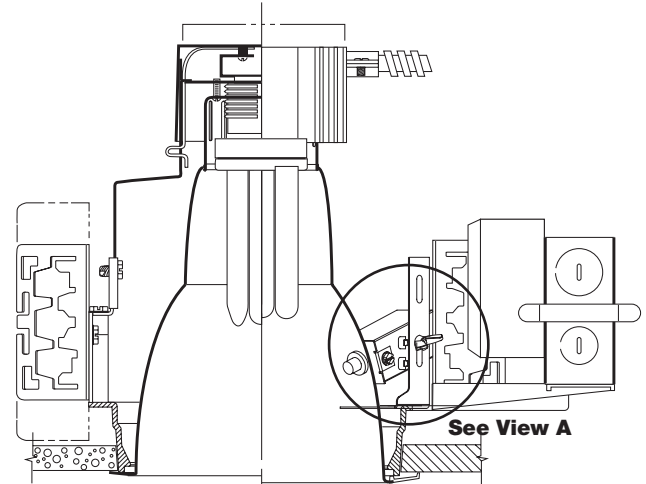
## IMPORTANT SAFEGUARDS

When using electrical equipment, basic safety precautions should always be followed, including the following:

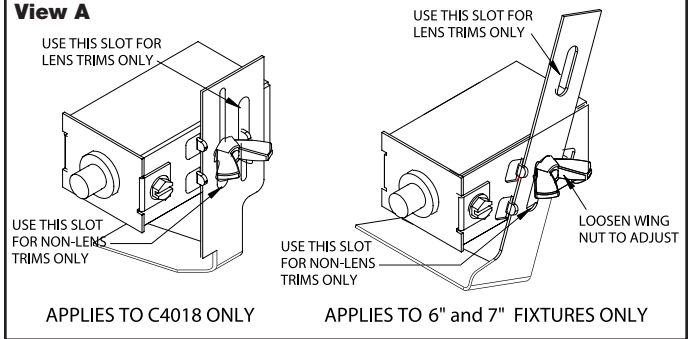
### Read and follow All Safety Instructions

- 1 This is a recessed ceiling mounted compact fluorescent unit, with standby battery operation. In the normal mode, lamp will be illuminated. In the emergency mode, one lamp will provide emergency illumination for a minimum of 90 minutes in accordance with UL standard #924.
- 2 Installing - To prevent electrical shock and unintentional battery discharge, do not join the unit connector until the installation is complete. Immediately prior to permanently turning the AC power on, engage the connector within the single gang switch box.
- 3 The emergency source requires an unswitched AC power source of either 120 or 277 volts. Properly cap the unused AC lead. refer to wiring diagram.
- 4 This unit is for recessed mounting only. Do not use outdoors, in hazardous locations, nor near gas or electric heaters. When used in insulated ceilings, insulation must be kept off the unit and no closer than 3" from the unit on all sides.
- 5 Do not use this equipment for other than the intended use.
- 6 Install only in accordance with National Electrical Code and local regulatory agencies' requirements
- 7 Installation and servicing to be performed only by qualified personnel
- 8 Servicing - This fixture provides more than one power supply output source. To reduce the risk of electrical shock, disconnect both normal and emergency sources by turning off the AC branch circuit and by disconnecting the connector on the charge indicator/test switch assembly.
- 9 To remove the trim push the test switch in, turn anti-clockwise and pull trim out of the housing.

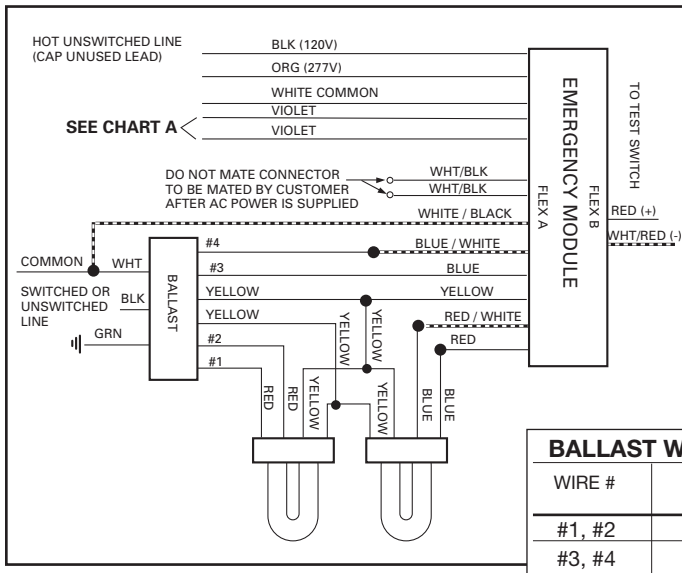
### Vertical Lamp Fixture Test Switch / Indicator Light



### View A



## Save These Instructions



BALLAST WIRE COLOR TABLE		
WIRE #	ESI BALLAST	NON-ESI BALLAST
#1, #2	BLUE	RED
#3, #4	RED	BLUE

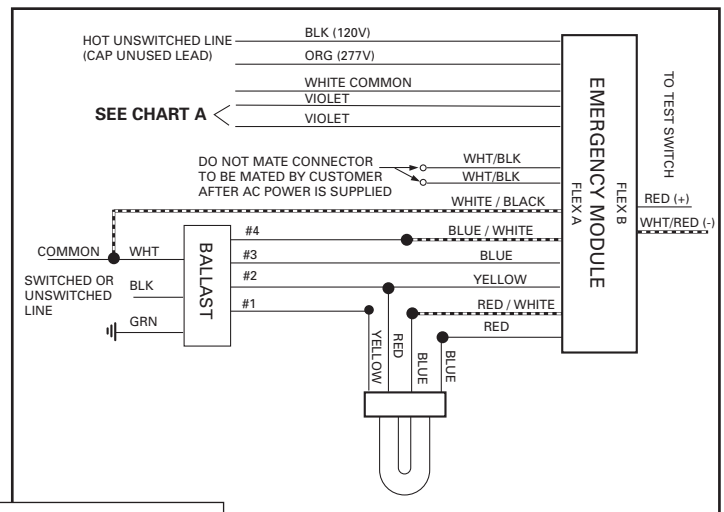


CHART A	
LAMP	VIOLET LEADS
10-32W	CONNECTED
42W	DISCONNECTED