



**CADET®**

**SAFETY & QUALITY**



The Com-Pak Plus



The Cadet Electric Baseboard



The Com-Pak Bath



The Register Plus



The Com-Pak Twin Plus

# Cadet Manufacturing Electric Heating Products *Product Catalog*

**NEW FEATURE!**

Learn more about the Cadet products on each page - just **SCAN** with your digital device!



[www.cadetco.com](http://www.cadetco.com)



## Dear Friends:

IT WAS 1953 WHEN MY WIFE AND I LEFT NORTH DAKOTA TO PURSUE THE OPPORTUNITIES OF A LIFE IN THE WEST. WE FIRST SETTLED IN OLYMPIA WASHINGTON. OLYMPIA IS WHERE WE HAD OUR FIRST EXPOSURE TO ELECTRIC HEATING, AND **we were excited about the comfort and affordability provided by zonal heating.**

We opened a small sales operation in August of 1955. Although the store was very successful, we sold it in February of 1956. We saw the potential of the larger market for electric heat in Portland Oregon, and moved there that same year. It was there that Cadet Manufacturing Company was born in October of 1957. In 1972, Highway 205 acquired the Portland plant, so we purchased Swan Manufacturing Co. and their facilities in nearby Vancouver Washington, where Cadet remains located today.

During the years 1930 through 1945 the U.S. market only included five electric heat manufacturers. By 1970, this number had grown to over 30 manufacturers. Today, the industry has consolidated to only four leading manufacturers in the U.S.

As I mentioned previously, my wife and I left North Dakota looking for new challenges and opportunities. We certainly found them! Cadet has experienced many highs and lows over the past half century. However, we feel very fortunate to be a part of the electrical and building trade. We are grateful for the support we have experienced from the very beginning. We have enjoyed a successful and satisfying partnership with the electrical contractors and distributors from day one. Many builders have used our product since the early 60's, and continue to use them today. To those builders, as well as the customers new to Cadet, we extend a big "Thank you!"

We are also appreciative of our employees of today and all of the yesterdays for their exceptional service and commitment to excellence. Some of these employees came to Cadet in their early 20's, ultimately retiring from Cadet in their 60's. It is the Cadet employee, along with the Cadet customer base, that has kept this company moving forward all these years.

Our management team is young and visionary and enthusiastic about Cadet's opportunities for the future. Our goals are to continue to bring you innovative zonal comfort products. We continually look for ways to enhance our current products to deliver better comfort, value, and the highest quality solutions that save our industry partners time and money.

All of us at Cadet are committed to dependable and safe products. We are proud to be the industry leader in customer service and field support. We've had great enjoyment over the past 50 years, and look forward to a bright future for decades to come.

Sincerely,

Richard Anderson, Owner  
Cadet Manufacturing Co.

Cadet Team, 1972





<b>ZONAL HEATING BENEFITS</b> .....	<b>5-7</b>
<b>HEAT SELECTION TIPS</b> .....	<b>8</b>
<b>FAN FORCED HEATERS</b> .....	<b>9-25</b>
The Register Plus.....	<b>9-10</b>
The Com-Pak Max .....	<b>11-12</b>
The Com-Pak Plus .....	<b>13-14</b>
The Com-Pak Twin Plus .....	<b>15-16</b>
The Com-Pak Bath .....	<b>17-18</b>
The Perfectoe.....	<b>19-20</b>
The SL Series.....	<b>21-22</b>
The NLW Series.....	<b>23-24</b>
The RBF Series.....	<b>25</b>
<b>BASEBOARD HEATERS</b> .....	<b>26-28</b>
Softheat® Hydronic Baseboard <i>Now Improved!</i> .....	<b>26</b>
The Cadet Electric Baseboard .....	<b>27-28</b>
<b>UNIT HEATERS</b> .....	<b>29-33</b>
<b>THERMOSTATS</b> .....	<b>34-44</b>
Electronic Thermostats.....	<b>34-40</b>
Bi-Metal Thermostats.....	<b>41-43</b>
Specialty Thermostats.....	<b>44</b>
<b>ADAPTERS</b> .....	<b>45</b>
<b>WARRANTY INFORMATION</b> .....	<b>46</b>
<b>CONDITIONS OF SALE</b> .....	<b>47</b>



## From our President



### Dear Valued Customers:

The term “Valued Customer” has never meant as much as it means today to business. In a dynamic and challenging market place, every customer is indeed very valued. Even though Cadet has been in business for over fifty years, each customer we serve is important to our future. That is why we challenge ourselves to provide proactive service that answers each customer’s specific needs, and do it with a smile.

We are proud of Cadet’s tradition of manufacturing safe, high quality products that continue to be assembled in the U.S.A. by a terrific workforce of long-term dedicated employees. We are also proud to be the leading brand of residential electric heat for the Western U.S. and a top supplier nationally.

Besides our dedication to each customer, a primary key to our success is our long-term relationships with our channel partners, developers, builders, contractors, and distributors. They know we care about them and their performance with their customers.

Looking forward to the future, we are excited for the opportunity to continue as the industry leader with our focus on what Cadet does best:

- Meet our customer needs in new and innovative ways
- Manufacture the safest, highest quality products
- Provide flawless customer service and support
- Deliver high quality product solutions with genuine benefits
- Be globally competitive by continuing our lean enterprise processes

We have a dedicated workforce who love what they do, and who are here because they embrace the values and vision of Cadet’s future. All of us at Cadet thank you for your business, and look forward to serving you for decades to come.

Sincerely,

A handwritten signature in black ink, which reads "Hutch Johnson". The signature is fluid and cursive, written over a light blue background that features a faint image of a large group of people standing in front of a building.

Hutch Johnson, President  
Cadet Manufacturing Co.



**CADET**<sup>®</sup>  
SAFETY & QUALITY



**Whether it's for**

New Construction,  
a Remodel or Addition,  
or Hybrid Heating

## **ZONAL HEATING CONTINUES TO IMPROVE COMFORT & SAVE ENERGY**

Central systems are like having one light switch for the whole house, "on or off". **Why heat rooms you're not using?** With Cadet heaters, no heat is lost through ductwork or exhaust: 100% of the electricity consumed is converted to heat.

Zonal Heating creates flexibility and control by only heating rooms in use, reducing the amount of energy needed to maintain a comfortable living space.





# New Construction

Zonal Electric Heat saves costs during construction, and saves energy for the life of the home.

## Heating System Comparisons

### Comparison Assumptions

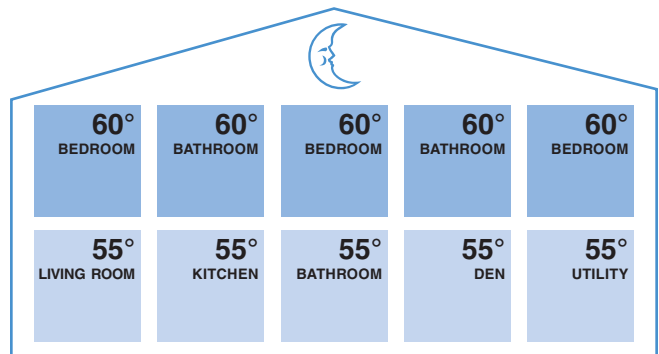
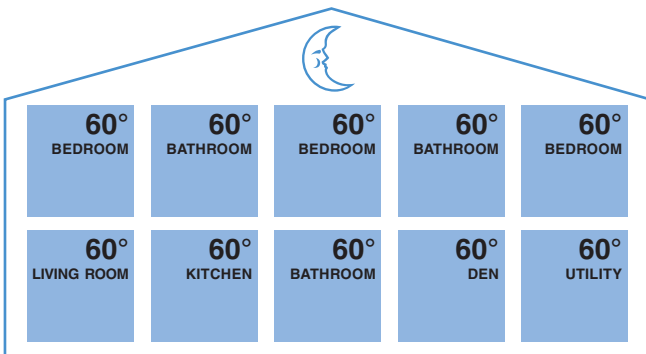
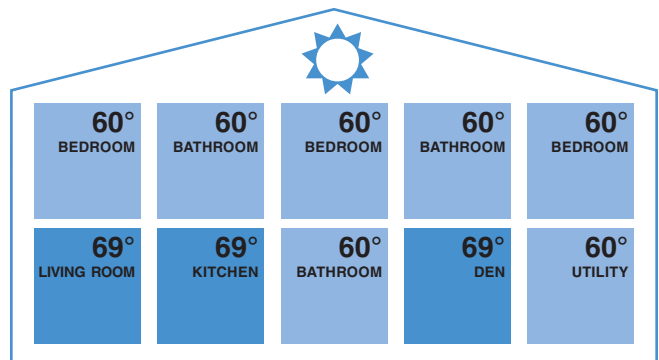
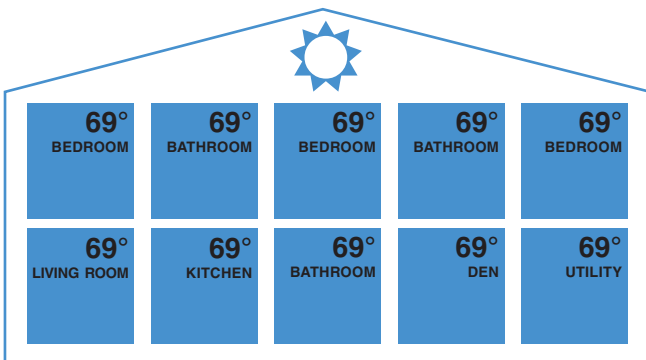
- 1800 Square Foot Home
- 3 Bedrooms, 2.5 baths
- Heating Zones: 10
- Electronic Thermostats
- Location: Portland, OR
- Winter: Oct 1 - Mar 1
- Comfort temp: Day=69° (16 hours) Sleep=60° (8 hours)

	CENTRAL GAS FURNACE		ELECTRIC ZONAL HEAT
	80% Efficient	90% Efficient	100% Efficient
Installation cost	<b>\$4800 - \$5200</b>		<b>\$900 - \$1200</b>
No. of rooms typically heated at one time	 DAY <b>10 rooms heated to 69°</b>   NIGHT <b>10 rooms heated to 60°</b>		 DAY <b>3 rooms heated to 69°</b> <b>7 rooms heated to 60°</b>   NIGHT <b>5 rooms heated to 60°</b> <b>5 rooms heated to 55°</b>
Average heat required	<b>12,000</b> BTU/HR	<b>12,000</b> BTU/HR	<b>10,000</b> BTU/HR
Add furnace duct* loss	<b>+3,000</b> BTU/HR	<b>+3,000</b> BTU/HR	<b>0</b>
Add furnace stack* loss	<b>+3,750</b> BTU/HR	<b>+1,667</b> BTU/HR	<b>0</b>
Add* furnace electricity usage <i>(converted from KW/HR to BTU/HR)</i>	<b>+637</b> BTU/HR	<b>+567</b> BTU/HR	<b>0</b>
Total average energy required	19,387 BTU/HR	17,234 BTU/HR	10,000 BTU/HR
<b>TOTAL WINTER BTU USAGE</b>	<b>70.3 Million</b>	<b>62.5 Million</b>	<b>36.2 Million</b>



Central Gas Furnace

Electric Zonal Heat



Notes:  
 • 1 Therm = 100,000 BTUs  
 • 1 KWH = 3,412 BTUs

\*Duct Loss = 20%  
 \*Stack Loss = 20% for 80% Efficient furnace, 10% for 90% Efficient furnace  
 \*Furnace Electricity Usage = Blower and Inducer

# Remodel or Addition

Electric Zonal Heat is a perfect solution for remodels or room additions. Installation is **fast, easy, and economical** with no ductwork required.

**1** CHALLENGE: New room addition requires new ductwork for heating, balancing of the new air flow, and possible resizing of the existing furnace.

**SOLUTION:** Electric heat installation is low cost, easy installation.

**2** CHALLENGE: Cold rooms such as a covered porch, basement remodel, or bonus room over the garage always feel chilled: whole house needs to be overheated to compensate.

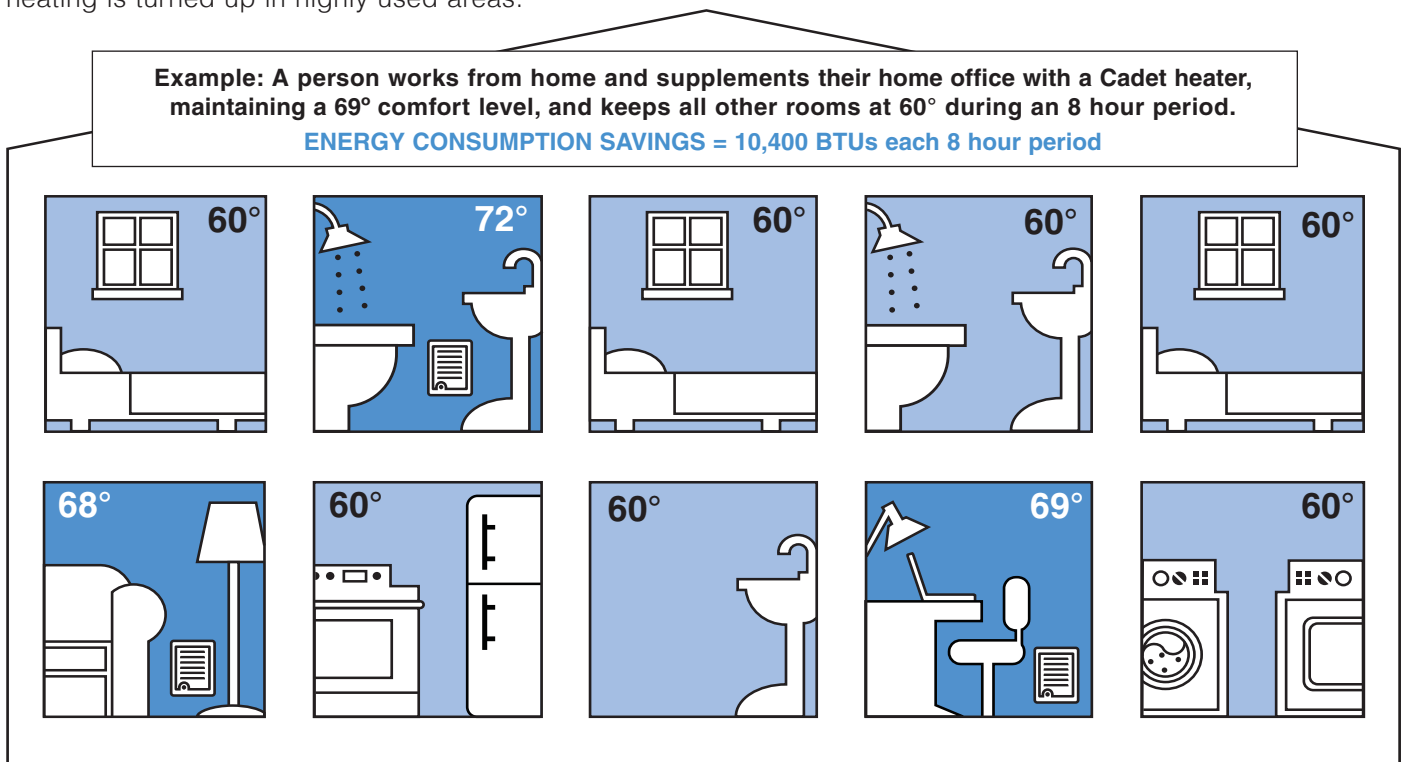
**SOLUTION:** Supplement the current heat source with a safe permanent electric heater to keep the room comfortable.

**3** CHALLENGE: Remodel of existing room such as a master bath calls for upgraded features.

**SOLUTION:** Add a premium bath heater to bring quality and comfort into the new space.

# Hybrid Heating

Hybrid home heating is similar to hybrid fuel cars that use both electricity and gas. Selective room placement of Cadet heaters to **supplement a central heating system** can conserve energy and keep the home more comfortable. The main thermostat of the central system is turned to a much lower setting, and the “spot” zonal heating is turned up in highly used areas.



**Central Heat Home** Electric Zonal Heat added to bathroom, office, and living room.

# Heater and Thermostat Selection Tips

## Heater Selection Tips

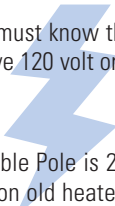
### KNOW YOUR VOLTAGE

Before buying the heater of your choice, you must know the voltage at connection. You must know whether you have 120 volt or 240 volt power supply.

#### Ways to check your voltage:

- Check Breaker - Single Pole is 120 volt; Double Pole is 240 volt.
- If replacing an old heater - Identify voltage on old heater label.
- The most accurate way to check the voltage supply is with a voltmeter.

**WARNING!** This test will have to be performed with the circuit breaker 'on'. If you are uncomfortable working with live electrical circuits, please consult an electrician.



#### Important Circuit Information!

##### CHECK AND ABIDE BY ALL ELECTRICAL SAFETY CODES

**Circuits must be derated by 20% > A SAFETY CODE REQUIREMENT. Maximum wattage allowed on a circuit is calculated by multiplying the derated amps by the voltage.**

**Example:  
20 amp circuit with 240 volt application**

1. 20 amps x 20% = 4 amps
2. 20 amps - 4 amps = 16 amps (max allowed)
3. 16 amps x 240 volts = 3,840 watts (max allowed)

#### Heating Circuit Hints

- When connecting a heater to 120-volt dedicated circuits:**
  - Use a 20-amp single pole circuit breaker
  - Use 12/2 with ground wire
  - Reference National Electric Code 210.24
- When connecting a heater to 120-volt existing circuits:**
  - Reference National Electric Code 210.24
- When connecting a heater to 240-volt circuits using:**
  - a) 20 amp double pole circuit breaker,
    - 3,840 watts is max load allowed on a circuit
    - Use 12/2 with ground wire
  - b) A 30 amp double pole circuit breaker,
    - 5,760 watts is max load allowed on a circuit
    - Use 10/2 with ground wire
  - c) Reference National Electric Code 210.24

### KNOW YOUR WATTAGE

#### Step 1: Age of Home

Select column with age of your home - A heat loss calculation should be performed if your home falls outside of these standards.

2008+	1980-2007	Prior to 1980
R21 walls, R30 floors, R38 ceilings, standard thermal pane windows	R19 walls, R30 floors and ceilings, standard thermal windows thermal pane, 8 ft ceilings	R11 walls, R19 ceiling, single pane windows, 9 ft ceilings

#### Step 2: Size of Room

Select row with closest square footage for room you want to heat.

- Rooms with greater than average window space, increase wattage by 50%
- If wattage recommendation falls between two heaters, select the heater with higher wattage
- If you live in a higher altitude / colder climate, we recommend adding 2 watts per square foot.

Sq. Footage of Room	2008+	1980-2007	Prior to 1980
50	200	300	500
75	300	450	750
100	400	600	1000
125	500	750	1250
150	600	900	1500
175	700	1050	1750
200	800	1200	2000
225	900	1350	2250
250	1000	1500	2500
275	1100	1650	2750
300	1200	1800	3000
325	1300	1950	3250
350	1400	2100	3500
375	1500	2250	3750
400	1600	2400	4000

**(BTU = Watts x 3.412)**

#### Step 3: General Rule of Thumb

This Selection Guide recommends approximately 4 watts per square foot for homes built in 2008 or later, 6 watts per square foot for homes built between 1980 – 2007, and 10 watts per square foot for homes built prior to 1980. See exceptions in Step 2. A heat loss calculation should be performed for more complete information.

Please visit [www.cadetco.com](http://www.cadetco.com) for a complete heat loss calculation tool

## Choosing The Right Thermostat

### THE BASICS

#### Low Voltage or Line Voltage?

A LINE voltage thermostat should be used for zonal electric heat systems such as:

- Electric fan heaters
- Baseboard heaters

LOW voltage thermostats are typically used to control central heating and cooling systems. A LOW voltage thermostat should only be used with Cadet heaters if the amperage load exceeds the rating of the line voltage thermostat and only when combined with a relay.

#### Single Pole or Double Pole?

SINGLE POLE thermostats break only one side of the power line, therefore, power is continuous to the heater. The control knob will only have a low temperature setting with no "Off" position. Check with local codes for building requirements.

DOUBLE POLE thermostats break both sides of the power line, therefore, all power to the heater is interrupted. The control knob will have an "Off" position. Check with local codes for building requirements.



### THE CHOICES: GOOD, BETTER, OR BEST?

**GOOD** Our bimetal thermostats use two dissimilar pieces of metal bonded together that bend as the temperature changes. As a result, the heater is turned on and off within a 3-5 degree comfort range of your set point.

**BETTER** Our heat anticipated thermostats meet comfort needs, while optimizing economy and energy efficiency. The increased bimetal thickness prevents damage and gives improved thermal differential performance. As a result, the heater is turned on and off within a 2-3 degree comfort range of your set point.

**BEST** Our electronic thermostats use digital temperature sensing for precise temperature control. They monitor room temperature within a 1 degree or less comfort range of your set point. Select models can be programmed to time and day.

#### Things to Consider

If energy efficiency is important, keep in mind that wide temperature fluctuations in some thermostats can waste energy, increasing the cost of running your heaters. Research of electronic thermostats has shown that significant savings of up to 20% can be attributed to their use. Cadet programmable electronic thermostats can save up to 28% on your electric heating bill.



# The Register Plus

The premier choice for all rooms



## SAFETY

High temperature manual reset: turns off heater if normal operating temperatures are exceeded



## QUALITY

Powder coat paint process eliminates sharp metal edges



## EASY

Wall can designed for quick installation with mounting legs that minimize measuring time



## COMFORT

Commercial grade steel element is quiet and efficient

### General Information:

The Register Plus is Cadet's premier fan forced heater line and is often chosen for its similar appearance to central system register vents. Models are offered with both fixed and multi-watt capabilities (multi-watt models factory preset at their maximum wattage). A large squirrel cage blower quietly provides increased airflow allowing for lower surface and air-at-surface temperatures. Cadet recommends a wall-mounted thermostat for optimum performance, or you may prefer the convenience of an optional field mount thermostat kit.

### Architectural Information:

Fan forced electric air heaters shall be UL listed, factory rated at 120V, 208V, or dual field rated 208V/240V. A 20 gauge wall mounting can with four knockouts shall be provided with each complete heater. The element and blower shall be of unitized construction and shall attach to wall can with a single screw. Elements shall be steel-finned type, with an oversized 25 amp rating at 240V high temperature manual reset limit switch. A tangential cylindrical blower delivering approximately 50 to 60 CFM shall be driven by an impedance protected motor with permanently lubricated, vibration isolated, dust sealed bearings. Metal grill shall be of one piece construction and finished with a powder coat paint system.



Learn more about  
The Register Plus  
Scan It Now!



### Carton Details

#### Heater Assembly Only Carton

**DIMENSIONS** | 12"W x 7.5"H x 5.25"D

**PALLET QTY.** | 100

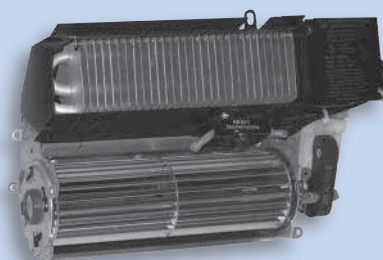
**CUBE** | .27

#### Complete Unit Carton

**DIMENSIONS** | 14.375"W x 9.375"H x 5.75"D

**PALLET QTY.** | 96

**CUBE** | .45



Heater Assembly



Wall Can



PHONE 360.693.2505  
 FAX 360.694.8668  
 WEB www.cadetco.com

**Technical Information:**

A thermostat is required. For optimum comfort use a Cadet electronic thermostat. Fan heaters and thermostats work best when installed on an inside wall. A double pole, built-in thermostat may be installed in the field. UL requires heater to be placed a minimum distance of 6" from adjacent surfaces and 4.5" from the floor. Manufacturer recommends installation of 12" from all surfaces. A 3' minimum clearance is required for furniture or other objects placed directly in front of heater.

**NOTE:** Manufacturer recommends installing heater assembly after walls are finished. Heater must be cleaned every six months minimum.

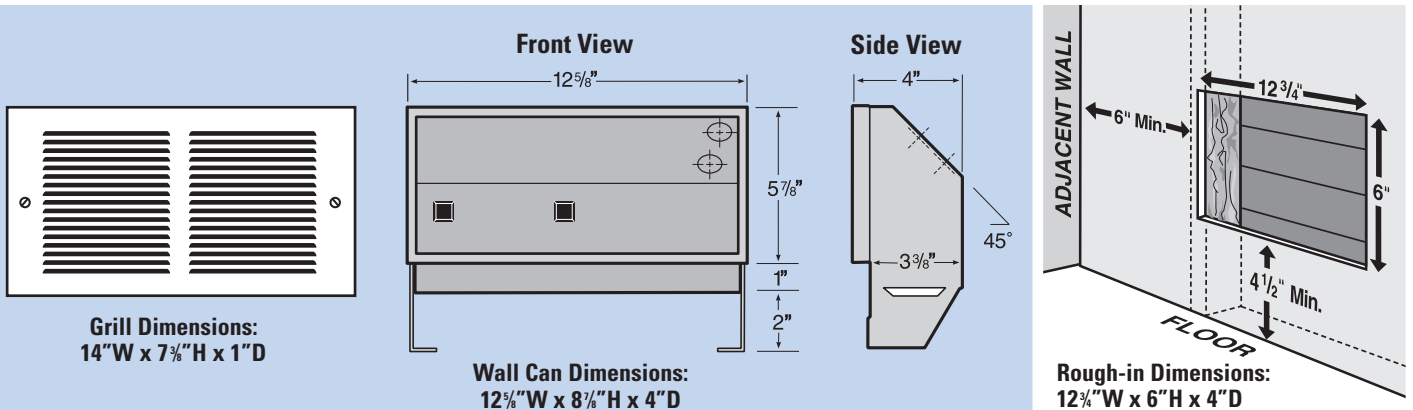
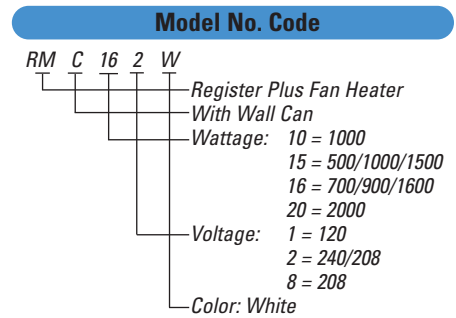
**Ordering Information:**

Recommended for elevations under 7500 feet. Complete unit available in white only.

UPC Code			WATTS			AMPS			Wt./Lbs
Part#	Model#	Description	240V	208V	120V	240V	208V	120V	
027418	63313	2 RMC202W Complete Unit, White	2000	1500		8.33	7.21		9
027418	63314	9 RMC162W Complete Unit, White	700/900/1600	525/675/1200		2.92/3.75/6.67	2.52/3.25/5.77		9
027418	63315	6 RMC151W Complete Unit, White			500/1000/1500			4.17/8.33/12.50	9
027418	63316	3 RMC208W Complete Unit, White		2000			9.62		9
027418	00322	5 RM222 Heater Assembly Only	2250	1687		9.37	8.11		4.5
027418	00306	5 RM202 Heater Assembly Only	2000	1500		8.33	7.21		4.5
027418	00307	2 RM162 Heater Assembly Only	700/900/1600	525/675/1200		2.92/3.75/6.67	2.52/3.25/5.77		4.5
027418	00311	9 RM102 Heater Assembly Only	1000	750		4.17	3.61		4.5
027418	00308	9 RM151 Heater Assembly Only			500/1000/1500			4.17/8.33/12.50	4.5
027418	00309	6 RM208 Heater Assembly Only		2000			9.62		4.5
027418	00310	2 RM108 Heater Assembly Only		1000			4.81		4.5

UPC Code		ACCESSORIES		
Part#	Model#	Description	Wt./Lbs	
027418	00275	4 RMGW RM Grill w/ Parts, White	1.5	
027418	00276	1 RMGA RM Grill w/ Parts, Almond	1.5	
027418	63113	8 RMGW5 RM Grill Five Pack w/ Parts, White	7.5	
027418	63114	5 RMGA5 RM Grill Five Pack w/ Parts, Almond	7.5	
027418	63115	2 RMC RM Wall Can Single Pack	3.25	
027418	63116	9 RMC5 RM Wall Can Five Pack	14.25	
027418	63123	7 RMT2W* Double Pole Field Mount Thermostat, White	.44	
027418	63124	4 RMT2A* Double Pole Field Mount Thermostat, Almond	.44	
027418	63118	3 RMS4W Register Surface Mount Adapter, White	5.75	

\*Thermostat kit temperature range 40°F to 85°F



# The Com-Pak Max

The professional's choice for smaller areas



## SAFETY

Thermal Safeguard

- High temperature manual reset: turns off heater if normal operating temperatures are exceeded

## QUALITY

- Durable steel tube and plate constructed heating element
- Powder coat paint process eliminates sharp metal edges

## CONVENIENCE

- Horizontal or vertical grill mounting options
- Multi-watt versatility

## EASY

Wall can designed for ease of installation

### General Information:

The Com-Pak Max provides all the benefits of our popular Com-Pak Plus, but features more durable components and increased versatility. This multi-watt heater is perfect as a single unit for smaller areas such as a bathroom or small bedroom, or as multiple units for larger areas such as a master bedroom, living room or family room. Choose from a vertical grill with the option of a built-in thermostat, or a horizontal, register style grill without a built-in thermostat, to suit your project needs. Cadet recommends a wall-mounted thermostat for optimum performance.

### Architectural Information:

Fan forced electric air heaters shall be UL listed, factory dual field rated 208V/240V. The painted wall mounting can for this heater is made from 20-gauge sheet steel with six electrical knockouts and 34 cubic inches for a wiring compartment. Each complete heater shall be of unitized construction and attach to the wall can with a single screw and shall be self-contained and completely separate from the wall mounting can. Element construction is a coiled nichrome heating wire sealed in a steel sheath with steel fins brazed to the sheath. Heating unit shall include a 16-amp rating at 240V, high temperature manual reset limit switch. A two stage centrifugal blower shall be driven by an impedance protected motor. The motor shall be totally isolated from the heating chamber. Metal grills shall be of one piece, constructed of 22-gauge steel and finished with a powder coat paint system.



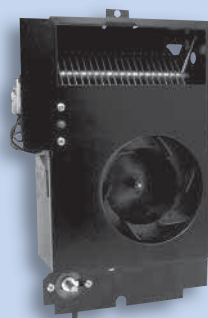
Learn more about  
The Com-Pak Max  
Scan It Now!



### Carton Details

#### Heater Assembly Only Carton

**DIMENSIONS** | 12"W x 7.5"H x 5.25"D  
**PALLET QTY.** | 100  
**CUBE** | .27



Heater Assembly with Thermostat



Wall Can



PHONE 360.693.2505  
 FAX 360.694.8668  
 WEB www.cadetco.com

**Technical Information:**

The wall can and the Com-Pak Max heater assembly may be installed vertically or horizontally. The Com-Pak Plus grill may be installed vertically or horizontally. The Com-Pak Max register style grill may only be installed horizontally. The (vertical installation) Com-Pak Max may be ordered with or without a built-in thermostat. For optimal comfort use a Cadet electronic thermostat. Fan heaters and thermostats work best when installed on an inside wall. UL requires heater to be placed a minimum distance of 6" from adjacent surfaces and 4.5" from the floor. Manufacturer recommends installation 12" from all surfaces. A 3' minimum clearance is required for furniture or other objects placed directly in front of heater. Not approved for ceiling mount.

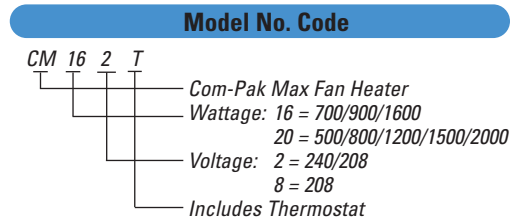
**NOTE:** Manufacturer recommends installing heater assembly after walls are finished. Heater must be cleaned every six months minimum.

**Ordering Information:**

The heater assembly, Com-Pak Plus grill and Com-Pak Max register style grill are all separate components and shall be ordered separately. Suffix "T" in model number denotes built-in single pole thermostat. Model numbers without a "T" require a thermostat. Recommended for elevations under 10,000 feet. Grill kits available in white or almond.

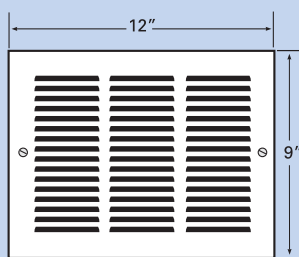
UPC Code				WATTS		AMPS		
Part#	Model#	Description	240V	208V	240V	208V	Wt./Lbs	
027418	65001	6 CM162 Heater Assembly Only—No Thermostat	700/900/1600	525/675/1200	2.92/3.75/6.67	2.52/3.25/5.77	4.25	
027418	65002	3 CM162T Heater Assembly Only—w/ Thermostat	700/900/1600	525/675/1200	2.92/3.75/6.67	2.52/3.25/5.77	4.5	
027418	65003	0 CM202 Heater Assembly Only—No Thermostat	500/800/1200/1500/2000	375/600/900/1125/1500	2.08/3.33/5.0/6.25/8.33	1.80/2.88/4.33/5.41/7.21	4.25	
027418	65004	7 CM202T Heater Assembly Only—w/ Thermostat	500/800/1200/1500/2000	375/600/900/1125/1500	2.08/3.33/5.0/6.25/8.33	1.80/2.88/4.33/5.41/7.21	4.5	
027418	65008	5 CM208 Heater Assembly Only—No Thermostat		500/800/1200/1500/2000		2.40/3.85/5.77/7.21/9.62	4.25	
027418	65009	2 CM208T Heater Assembly Only—w/ Thermostat		500/800/1200/1500/2000		2.40/3.85/5.77/7.21/9.62	4.5	

UPC Code		ACCESSORIES		
Part#	Model#	Description	Wt./Lbs	
027418	67061	8 CC CS Wall Can Single Pack	2.75	
027418	67060	1 CC10 CS Wall Can, 10 Pack	22.5	
027418	67079	3 CGW CS Grill w/ Parts, White, Vertical	1.5	
027418	67081	6 CGW10 CS Grill w/ Parts, White, 10 pack, Vertical	12.25	
027418	67075	5 CGA CS Grill w/ Parts, Almond, Vertical	1.5	
027418	67080	9 CGA10 CS Grill w/ Parts, Almond, 10 pack, Vertical	12.25	
027418	65005	4 CMGW Register Style Grill w/ Parts, White	2.0	
027418	65006	1 CMGW5 Register Style Grill w/ Parts, White, 5 pack	7.5	
027418	65015	3 CMGA Register Style Grill w/ Parts, Almond	2.0	
027418	65016	0 CMGA5 Register Style Grill w/ Parts, Almond, 5 pack	7.5	
027418	67063	2 CTT1W* Single Pole Field Mount Thermostat Kit, 22 amp, White	.25	
027418	67064	9 CTT2W* Double Pole Field Mount Thermostat Kit, 22 amp, White	.25	
027418	67065	6 CTT1A* Single Pole Field Mount Thermostat Kit, 22 amp, Almond	.25	
027418	67066	3 CTT2A* Double Pole Field Mount Thermostat Kit, 22 amp, Almond	.25	
027418	67067	0 CTPP* Tamper Proof Field Mount SP Thermostat Kit, 22 amp	.25	
027418	06390	8 CS4MA 4" Surface Mount Metal Adapter CS Series, Almond	3.5	
027418	06395	3 CS4MW 4" Surface Mount Metal Adapter CS Series, White	3.5	
027418	67100	4 CAMA 18.5" x 22" Metal Adapter Plate CS Series, Almond	3.5	
027418	67105	9 CAMW 18.5" x 22" Metal Adapter Plate CS Series, White	3.5	
027418	67110	3 SAMA 12" x 21.25" Metal Adapter Plate, Almond	2	
027418	67115	8 SAMW 12" x 21.25" Metal Adapter Plate, White	2	

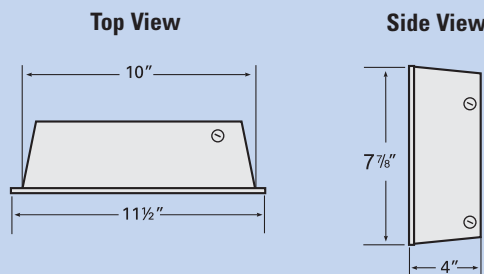


\*Thermostat kit temperature range 40°F to 85°F

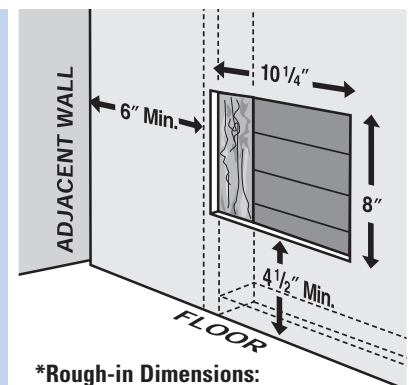
Views shown below require horizontal mounting, using the register style grill and models without a built-in thermostat. If vertical mounting is preferred, use model CGA or CGW.



**Horizontal Grill Dimensions:**  
 12" W x 9" H x 1" D



**Wall Can Dimensions:**  
 11 1/2" W x 7 7/8" H x 4" D



**\*Rough-in Dimensions:**  
 10 1/4" W x 8" H x 4" D



# The Com-Pak Plus

The economical choice for smaller areas



**CADET**  
SAFETY & QUALITY



### General Information:

The Com-Pak Plus is our most popular in-wall fan heater. An economical choice that includes our highly regarded safety components. These heaters are perfect for smaller areas or larger areas needing the dispersed heat created by multiple heaters. Cadet recommends a wall-mounted thermostat for optimum performance, or you may prefer the convenience of an optional built-in thermostat.

### Technical Information:

Fan heaters and thermostats work best when installed on an inside wall. UL requires heater to be placed a minimum distance of 6" from adjacent surfaces and 4½" from the floor. Manufacturer recommends installation 12" from all surfaces. All models 1500 watts or less may be ceiling mounted. A 3' minimum clearance is required for furniture or other objects placed directly in front of heater.

**NOTE:** Manufacturer recommends installing heater assembly after walls are finished. Heater must be cleaned every six months minimum.



Learn more about  
The Com-Pak Plus  
Scan It Now!



### SAFETY

- Primary and Secondary Thermal Safeguards
- Robust, heavy duty high temperature manual power reset
- Over temperature one-time thermal fuse



### QUALITY

- Nichrome coil element for quick heat
- Powder coat paint process eliminates sharp metal edges



### EASY

- Wall can designed for ease of installation



### CONVENIENCE

- Horizontal or vertical grill mounting options
- With or without built-in thermostat

### Architectural Information:

Fan forced electric air heaters shall be UL listed, factory rated at 120V, 208V, and dual field rated 208V/240V. A painted 20 gauge wall mounting can with six knockouts and 34 cubic inch wiring compartment shall be provided with each complete heater. Each complete heater shall be of unitized construction and attach to the wall can with a single screw and shall be self-contained and completely separate from the wall mounting can.

Element is of nichrome type wire wrapped on mica insulators with an oversized 16 amp rating at 240V, high temperature manual power reset limit switch and an over-temperature thermal back-up fuse. A two stage centrifugal blower shall be driven by an impedance protected motor. The motor shall be totally isolated from the heating chamber. Metal grill shall be of one piece, 20-gauge construction and finished with a powder coat paint system.

### Ordering Information:

Suffix "T" in model number denotes built-in single pole thermostat. Model numbers without a "T" require a thermostat. Recommended for elevations under 10,000 feet. Complete unit available in white only.

### Carton Details

#### Heater Assembly Only Carton

**DIMENSIONS** | 12"W x 7.5"H x 5.25"D

**PALLET QTY.** | 100

**CUBE** | .27

#### Complete Unit Carton

**DIMENSIONS** | 14.375"W x 9.375"H x 5.75"D

**PALLET QTY.** | 96

**CUBE** | .45



Heater Assembly with Thermostat



Wall Can



PHONE 360.693.2505  
 FAX 360.694.8668  
 WEB www.cadetco.com

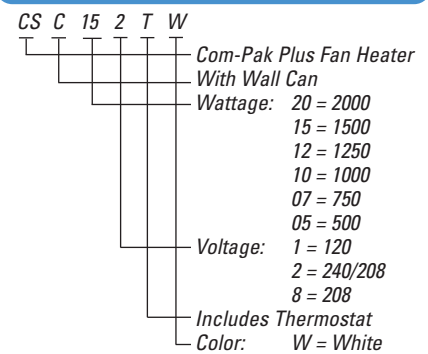
UPC Code		WATTS			AMPS			Wt./Lbs	
Part#	Model#	Description	240V	208V	120V	240V	208V		120V
027418	67507	1 CSC202TW	2000	1500		8.33	7.21		7
027418	67506	4 CSC152TW	1500	1125		6.25	5.41		7
027418	67505	7 CSC102TW	1000	750		4.17	3.61		7
027418	67509	5 CSC151TW			1500			12.5	7
027418	67508	8 CSC101TW			1000			8.33	7
027418	67514	9 CS202	2000	1500		8.33	7.21		3.5
027418	67513	2 CS152	1500	1125		6.25	5.41		3.5
027418	67512	5 CS122	1250	937		5.21	4.5		3.5
027418	67511	8 CS102	1000	750		4.17	3.61		3.5
027418	67510	1 CS072	750	563		3.13	2.71		3.5
027418	67584	2 CS052	500	375		2.08	1.80		3.5
027418	67516	3 CS151			1500			12.5	3.5
027418	67515	6 CS101			1000			8.33	3.5
027418	67550	7 CS051			500			4.17	3.5
027418	67563	7 CS058		563			2.71		3.5
027418	67564	4 CS078		750			3.61		3.5
027418	67569	9 CS118		1125			5.41		3.5
027418	67571	2 CS158		1500			7.21		3.5
027418	67517	0 CS208		2000			9.62		3.5
027418	67522	4 CS202T	2000	1500		8.33	7.21		4
027418	67521	7 CS152T	1500	1125		6.25	5.41		4
027418	67520	0 CS122T	1250	937		5.21	4.5		4
027418	67519	4 CS102T	1000	750		4.17	3.61		4
027418	67518	7 CS072T	750	563		3.13	2.71		4
027418	67585	9 CS052T	500	375		2.08	1.80		4
027418	67524	8 CS151T			1500			12.5	4
027418	67523	1 CS101T			1000			8.33	4
027418	67525	5 CS208T		2000			9.62		4
027418	67573	6 CS058T		563			2.71		4
027418	67589	7 CS078T		750			3.61		4
027418	67598	9 CS118T		1125			5.41		4
027418	67599	6 CS158T		1500			7.21		4

UPC Code ACCESSORIES

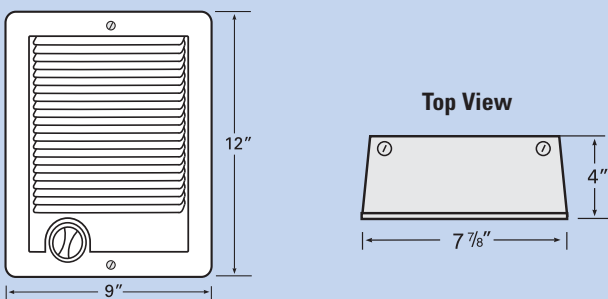
Part#	Model#	Description	Wt./Lbs	
027418	06390	8 CS4MA	4" Surface Mount Metal Adapter CS Series, Almond	3.5
027418	06395	3 CS4MW	4" Surface Mount Metal Adapter CS Series, White	3.5
027418	67060	1 CC10	CS Wall Can Ten Pack	22.5
027418	67061	8 CC	CS Wall Can Single Pack	2.5
024718	67063	2 CTT1W*	Single Pole Field Mount Thermostat Kit, 22 amp, White	.25
027418	67064	9 CTT2W*	Double Pole Field Mount Thermostat Kit, 22 amp, White	.25
027418	67065	6 CTT1A*	Single Pole Field Mount Thermostat Kit, 22 amp, Almond	.25
027418	67066	3 CTT2A*	Double Pole Field Mount Thermostat Kit, 22 amp, Almond	.25
027418	67067	0 CTP*	Tamper Proof Field Mount SP Thermostat Kit, 22 amp	.25
027418	67075	5 CGA	CS Grill w/ Parts, Almond	1.5
027418	67079	3 CGW	CS Grill w/ Parts, White	1.5
027418	67080	9 CGA10	CS Grill Ten Pack w/ Parts, Almond	12.25
027418	67081	6 CGW10	CS Grill Ten Pack w/ Parts, White	12.25
027418	67100	4 CAMA	18.5" x 22" Metal Adapter Plate CS Series, Almond	3.5
027418	67105	9 CAMW	18.5" x 22" Metal Adapter Plate CS Series, White	3.5
027418	67088	5 FWAP	Converts FW Models to CS Model, Black	1
027418	67110	3 SAMA	12" x 21.25" Metal Adapter Plate CS Series, Almond	2
027418	67115	8 SAMW	12" x 21.25" Metal Adapter Plate CS Series, White	2

\*Thermostat kit temperature range 40°F to 85°F

Model No. Code

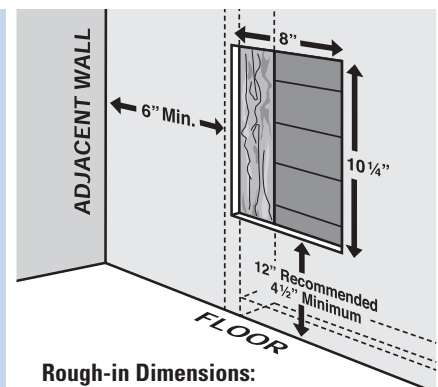


If horizontal mounting is preferred for heater assemblies without thermostat, use model CMGA or CMGW (see pages 11&12)



Grill Dimensions:  
9"W x 12"H x 1"D

Wall Can Dimensions:  
7 7/8"W x 11 1/2"H x 4"D



Rough-in Dimensions:  
8"W x 10 1/4"H x 4"D

# The Com-Pak Twin

The economical choice for larger areas



## SAFETY

- Primary and Secondary Thermal Safeguards
- Robust, heavy duty high temperature manual power reset
- Over temperature one-time thermal fuse



## QUALITY

- Nichrome coil element for quick heat
- Powder coat paint process eliminates sharp metal edges



## EASY

- Wall can designed for ease of installation



## CONVENIENCE

- Dual fans behind single grill for quick response for larger areas

### General Information:

The Com-Pak Twin Plus is the ideal choice for heating large areas such as an open foyer with a single heater. Twin heaters connected behind a single grill provide all the benefits of The Com-Pak Plus. Cadet recommends a wall-mounted thermostat for optimum performance, or you may prefer the convenience of an optional built-in thermostat.

### Architectural Information:

Fan forced electric air heaters shall be UL listed, factory rated at 208V or dual field rated 208V/240V. A painted 20 gauge wall mounting can with four knockouts and 79 cubic inch wiring compartment shall be provided with each complete heater. Heater shall be of unitized construction and attach to the wall can with two screws and shall be self-contained and completely separate from the wall mounting can. Two elements shall be nichrome type wrapped on mica insulators with two oversized 16 amp at 240V high temperature manual power reset limit switches and two over temperature thermal backup fuses. Two independent two-stage centrifugal blowers shall be driven by impedance protected motors. The motors shall be totally isolated from the heating chamber. Metal grill shall be of one piece, 20 gauge construction and finished with a powder coat paint system.



Learn more about  
The Com-Pak Twin  
Scan It Now!



### Carton Details

#### Heater Assembly Only Carton

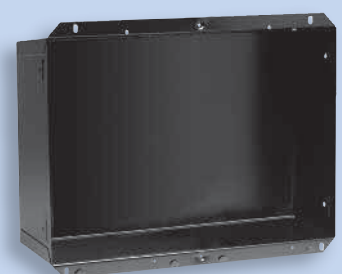
**DIMENSIONS** | 19.75"W x 13.375"H x 7"D  
**PALLET QTY.** | 56  
**CUBE** | 1

#### Complete Unit Carton

**DIMENSIONS** | 18.25"W x 12.5"H x 5.75"D  
**PALLET QTY.** | 56  
**CUBE** | .91



Heater Assembly with Thermostat



Wall Can



**PHONE** 360.693.2505  
**FAX** 360.694.8668  
**WEB** www.cadetco.com

**Technical Information:**

Model may be ordered with or without built-in thermostat. For optimum comfort a Cadet electronic thermostat may be used (check amperage rating). Single pole and double pole field mount thermostat kits available. Fan heaters and thermostats work best when installed on an inside wall. UL requires heater to be placed a minimum distance of 6" from adjacent surfaces and 4.5" from the floor. Manufacturer recommends installation 12" from all surfaces. A 3' minimum clearance is required for furniture or other objects placed directly in front of heater.

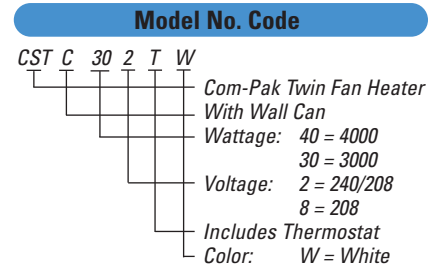
**NOTE:** Manufacturer recommends installing heater assembly after walls are finished. Heater must be cleaned every six months minimum.

**Ordering Information:**

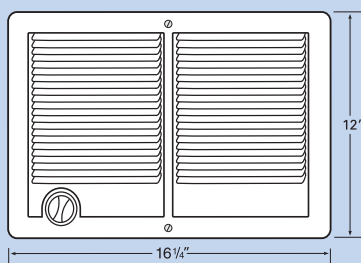
Suffix "T" in model number denotes built-in single pole thermostat. Model numbers without a "T" require a thermostat. Recommended for elevations under 10,000 feet. Complete unit available in white only.

UPC Code				WATTS			AMPS		
Part#	Model#	Description	240V	208V	120V	240V	208V	120V	Wt./Lbs
027418	67527	9 CSTC402TW	Complete Unit w/ Thermostat, White	4000	3000		16.67	14.42	12
027418	67526	2 CSTC302TW	Complete Unit w/ Thermostat, White	3000	2250		12.5	10.82	12
027418	67529	3 CST402	Heater Assembly Only-No Thermostat	4000	3000		16.67	14.42	6.5
027418	67528	6 CST302	Heater Assembly Only-No Thermostat	3000	2250		12.5	10.82	6.5
027418	67574	3 CST308	Heater Assembly Only-No Thermostat		3000			14.42	6.5
027418	67530	9 CST408	Heater Assembly Only-No Thermostat		4000			19.23	6.5
027418	67532	3 CST402T	Heater Assembly Only w/ Thermostat	4000	3000		16.67	14.42	7
027418	67531	6 CST302T	Heater Assembly Only w/ Thermostat	3000	2250		12.5	10.82	7
027418	67533	0 CST408T	Heater Assembly Only w/ Thermostat		4000			19.23	7
027418	67534	7 CST308T	Heater Assembly Only w/ Thermostat		3000			14.42	7

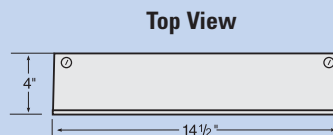
UPC Code				ACCESSORIES	
Part#	Model#	Description	Wt./Lbs		
027418	67089	2 CTGW	Single CST Grill, White	2.5	
027418	67090	8 CTGA	Single CST Grill, Almond	2.5	
027418	68005	1 CTC	CST Wall Can Single Pack	3.5	
027418	68070	9 CTAMA	18.5" x 22" Metal Adapter Plate CST Series, Almond	3	
027418	68075	4 CTAMW	18.5" x 22" Metal Adapter Plate CST Series, White	3	
027418	69100	2 CTS4A	4" Surface Mount Metal Adapter, Almond	6	
027418	69104	0 CTS4W	4" Surface Mount Metal Adapter, White	6	
027418	67063	2 CTT1W*	Single Pole Field Mount Thermostat Kit, 22 amp, White	.25	
027418	67064	9 CTT2W*	Double Pole Field Mount Thermostat Kit, 22 amp, White	.25	
027418	67065	6 CTT1A*	Single Pole Field Mount Thermostat Kit, 22 amp, Almond	.25	
027418	67066	3 CTT2A*	Double Pole Field Mount Thermostat Kit, 22 amp, Almond	.25	
027418	67067	0 CTPP*	Tamper Proof Field Mount Single Pole Thermostat Kit, 22 amp	.25	



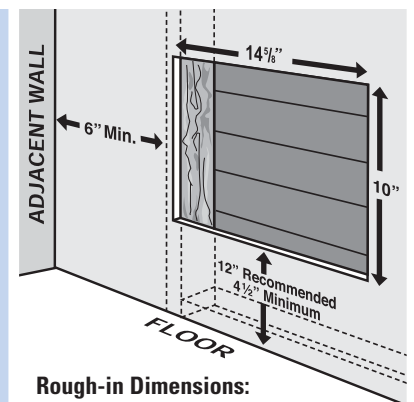
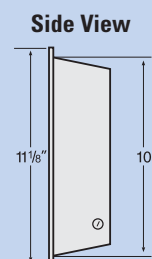
\*Thermostat kit temperature range 40°F to 85°F



**Grill Dimensions:**  
 16 1/4" W x 12" H x 1" D



**Wall Can Dimensions:**  
 14 1/2" W x 11 1/8" H x 4" D



**Rough-in Dimensions:**  
 14 1/8" W x 10" H x 4" D



# The Com-Pak Bath

The premier choice for today's bathrooms



## General Information:

The Com-Pak Bath Heater is our most versatile and stylish heater. Equipped with a built-in thermostat and 60-minute timer, it is a great option for adding supplemental heat to any room. The 60-minute auto-timer overrides the thermostat setting for instant warmth and comfort.\* The Com-Pak Bath Heater is Cadet's first heater with both multi-volt and multi-watt options available. Because the Com-Pak Bath Heater fits into any C-series wall can, it is a great option for replacement, remodel or new construction.

*\*Once timer expires; control of the heater will return to the thermostat and the previous set-point setting.*



Learn more about  
The Com-Pak Bath  
Scan It Now!



## SAFETY

Thermal Safeguard

- High temperature manual reset: turns off heater if normal operating temperatures are exceeded



## QUALITY

- Durable steel tube and plate constructed heating element - painted to resist rusting
- Powder coat paint process eliminates sharp metal edges



## COMFORT

- Ideal for instant warmth in bathrooms
- Advanced built-in controls
  - Thermostat: range 45°F-85°F: with disabled (no heat) position
  - 60 minute timer overrides thermostat for instant warmth



## CONVENIENCE

- Multi-Volt and Multi-Watt options
- Unique low profile grill only ½" deep

## Architectural Information:

Fan forced electric air heaters shall be UL listed, factory rated 120V/240V or dual field rated 208V/240V. The painted wall mounting can is made from 20-gauge sheet metal with six electrical knockouts and a 22 cubic inch wiring compartment. Each heating unit shall be of unitized construction and attach to the wall can with a single screw and shall be self contained and completely separate from the wall mounting can. Elements shall be tube and plate, painted, with an over-sized 16 amp rating at 240V high temperature manual reset limit switch. A centrifugal blower shall be driven by an impedance protected motor. The motor shall be totally isolated from the heating element. Metal grill shall be of one piece, 20-gauge construction, and finished with a powder coat paint system.

## Carton Details

### Heater Assembly Only Carton

DIMENSIONS | 11.25"W x 8.5"H x 5.25"D

PALLET QTY. | 80

CUBE | .30

### Complete Unit Carton

DIMENSIONS | 14.5"W x 10.5"H x 5.75"D

PALLET QTY. | 88

CUBE | .51



Heater Assembly with  
Thermostat and Timer



Wall Can



**PHONE** 360.693.2505  
**FAX** 360.694.8668  
**WEB** www.cadetco.com

**Technical Information:**

All heaters include a built-in single pole thermostat and 60-minute timer. The Com-Pak Bath Heater is not to be used with a wall thermostat. The multi-volt option must be configured for the correct voltage before installing the heater. The multi-watt option must be configured for the desired wattage before installing the heater. UL requires heater to be placed a minimum distance of 6" from adjacent surfaces and 4.5" from the floor. Manufacturer recommends installation 12" from all surfaces. A 3' minimum clearance is required for furniture or other objects placed directly in front of heater.

**NOTE:** Manufacturer recommends installing heater assembly after walls are finished. Heater must be cleaned every six months minimum.

**Ordering Information:**

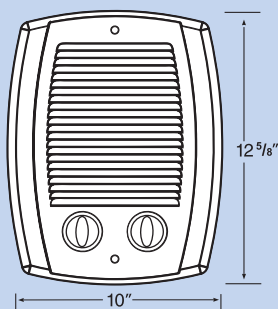
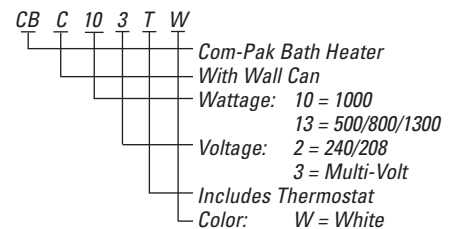
Recommended for elevations under 10,000 feet. Available in white only.

UPC Code			WATTS			AMPS			Wt./Lbs
Part#	Model#	Description	240V	208V	120V	240V	208V	120V	
027418	65101	3 CBC103TW Complete Unit, Multi-Volt, White	1000		1000	4.16		8.33	8
027418	65103	7 CB103T Heater Assembly, Stat & Timer, Multi-Volt	1000		1000	4.16		8.33	4.7
027418	65104	4 CB132T Heater Assembly, Stat & Timer, Multi-Watt	500/800/1300	375/600/975		2.09/3.33/5.42	1.80/2.89/4.69		4.7
027418	65105	1 CBC132TW Complete Unit, Multi-Watt, White	500/800/1300	375/600/975		2.09/3.33/5.42	1.80/2.89/4.69		8

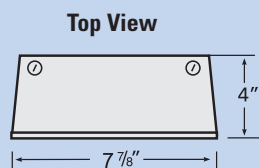
UPC Code			ACCESSORIES	
Part#	Model#	Description	Wt./Lbs	
027418	65110	5 CBGW Grill, White w/ Parts	1.5	
027418	65150	1 CBGW5 Grill, Five Pack w/ Parts	7	
027418	67060	1 CC10 CS Wall Can Ten Pack	22.5	
027418	67061	8 CC CS Wall Can Single Pack	2.5	
027418	67100	4 CAMA 18.5" x 22" Metal Adapter Plate CS Series, Almond	3.5	
027418	67105	9 CAMW 18.5" x 22" Metal Adapter Plate CS Series, White	3.5	
027418	67110	3 SAMA 12" x 21.25" Metal Adapter Plate CS Series, Almond	2	
027418	67115	8 SAMW 12" x 21.25" Metal Adapter Plate CS Series, White	2	

Thermostat temperature range 45°F to 85°F

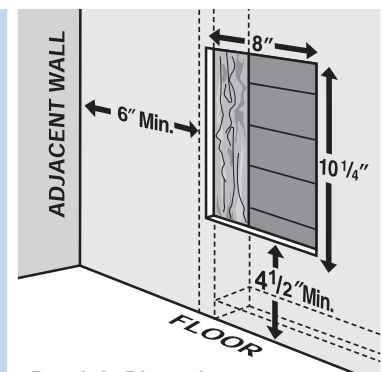
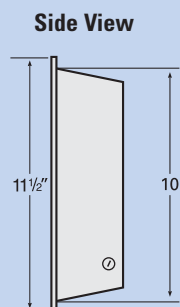
**Model No. Code**



**Grill Dimensions:**  
 10"W x 12 5/8"H x 1/2"D



**Wall Can Dimensions:**  
 7 7/8"W x 11 1/2"H x 4"D



**Rough-in Dimensions:**  
 8"W x 10 1/4"H x 4"D

# The Perfectoe

The ideal choice for under cabinets



### General Information:

The Perfectoe heater is the ideal solution for areas with limited wall space. With only 3½" of height clearance required, this heater can be placed in under-cabinet applications such as kitchens or bathrooms. Stairwells and hearths are also ideal areas for The Perfectoe. Cadet recommends a wall-mounted thermostat for optimum performance, or you may prefer the convenience of an optional built-in thermostat (pictured above).



Learn more about  
The Perfectoe  
Scan It Now!



### SAFETY

Thermal Safeguard  
- High temperature manual reset:  
turns off heater if normal operating  
temperatures are exceeded



### QUALITY

- Commercial grade steel element
- Powder coat paint process eliminates sharp metal edges



### CONVENIENCE

Ideal for areas with limited wall space such as under cabinets or stairwells



### EASY

- Wall can designed for ease of installation
- Separate grill for easy installation and service

### Architectural Information:

Fan forced electric air heaters shall be UL listed, factory rated at 120V, or dual field rated 208V/240V. A 22 gauge housing with two knockouts and a 45 cubic inch junction box shall be provided as part of each heater. The heating unit shall be of unitized construction and be secured to the housing with two screws. Elements shall be of steel-finned type. All heating units shall include an oversized 25 amp at 240V high temperature manual reset limit switch. A tangential cylindrical blower delivering 53 CFM is driven by an impedance protected, permanently lubricated motor. The motor shall be isolated from the heating chamber. All metal housing components shall be finished with a powder coat paint system.

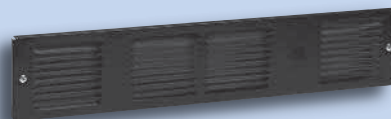
### Carton Details

#### Complete Unit Carton

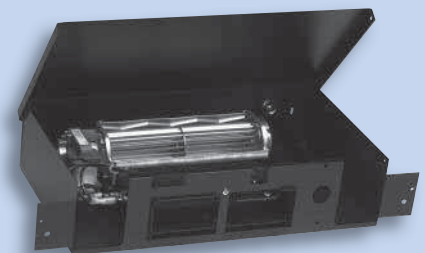
DIMENSIONS | 17.75"W x 15"H x 5.875"D

PALLET QTY. | 48

CUBE | .90



Grill



Complete Unit  
(Thermostat not included)



PHONE 360.693.2505  
 FAX 360.694.8668  
 WEB www.cadetco.com

**Technical Information:**

A thermostat is required. For optimum comfort use a Cadet electronic thermostat. Thermostats work best when installed on an inside wall. Single pole or double pole integral field mount thermostat kits are also available. UL requires heater to be placed a minimum distance of 6" from any inside corner or adjacent surfaces. Manufacturer does not recommend installing heater in toe kick area directly under sink where a person may stand for an extended length of time due to discharge of hot air. A 3' minimum clearance is required for furniture or other objects placed directly in front of heater. Heater must be cleaned every six months minimum.

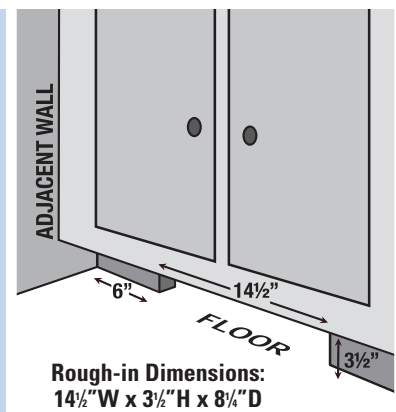
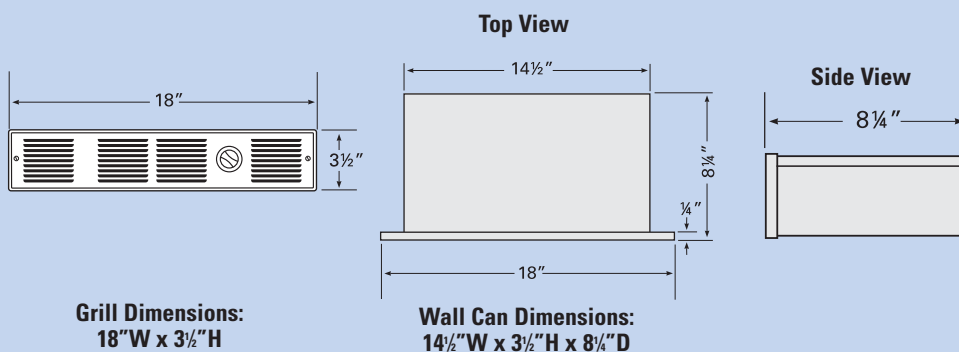
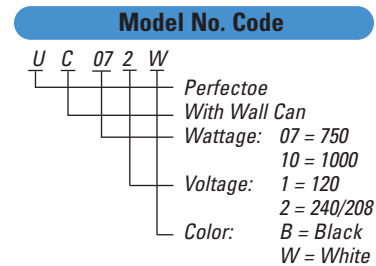
**Ordering Information:**

For installation above 7000 feet the highest wattage recommended is 750 watts. Available in black or white.

UPC Code			WATTS			AMPS			Wt./Lbs
Part#	Model#	Description	240V	208V	120V	240V	208V	120V	
027418	10036	8 UC102B Complete Unit, Black	1000	750		4.17	3.61		8
027418	10039	9 UC102W Complete Unit, White	1000	750		4.17	3.61		8
027418	10027	6 UC072B Complete Unit, Black	750	562		3.13	2.71		8
027418	10030	6 UC072W Complete Unit, White	750	562		3.13	2.71		8
027418	10032	0 UC101B Complete Unit, Black			1000			8.33	8
027418	10034	4 UC101W Complete Unit, White			1000			8.33	8

UPC Code			ACCESSORIES	
Part#	Model#	Description	Wt./Lbs	
027418	66075	6 UCT1B* Single Pole Field Mount Thermostat Kit, 22 amp, Black	.31	
027418	66076	3 UCT1W* Single Pole Field Mount Thermostat Kit, 22 amp, White	.31	
027418	66077	0 UCT2B* Double Pole Field Mount Thermostat Kit, 22 amp, Black	.31	
027418	66078	7 UCT2W* Double Pole Field Mount Thermostat Kit, 22 amp, White	.31	
027418	66086	2 UCAB Adapter Kit for TS Series, Black	.45	

\*Thermostat kit temperature range 40°F to 85°F





# The SL Series

The ideal choice for larger areas with limited wall space



## SAFETY

Thermal Safeguard  
- High temperature manual reset:  
turns off heater if normal operating  
temperatures are exceeded



## QUALITY

Powder coat paint process eliminates sharp  
metal edges



## COMFORT

• Grill design provides dual heat distribution  
• Unique fan reduces air turbulence for  
quiet heat delivery



## CONVENIENCE

Built-in double pole thermostat with temperature  
range of 40°F to 85°F

### General Information:

The SL Series is a high performance fan heater for medium to large areas. A unique fan reduces air turbulence, allowing The SL Series to deliver heat quietly, and dual warm exhausts provide even, efficient distribution of heat. The grill louvers are designed to conceal the internal components from view with an aesthetically pleasing look. Also included is an adjustable automatic quick-action thermostat control for your comfort and convenience.

### Architectural Information:

Fan forced electric air heaters shall be UL listed, factory rated at 120V, and dual field rated 208V/240V. The elements and blower shall be of unitized construction and attach to wall can with four screws. Elements shall be of nichrome type with an oversized 25 amp at 240V high temperature manual reset limit switch. A blower delivering approximately 65 CFM shall be driven by an impedance protected motor. The motor shall be totally isolated from the heating chamber. Metal grill shall be of one piece, 22 gauge construction and finished with a powder coat paint system. A painted 22 gauge wall mounting can with 2 knockouts and 70 cubic inch wiring compartment is also available.



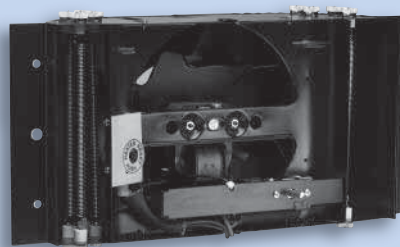
### Carton Details

#### Heater Assembly & Grill Carton

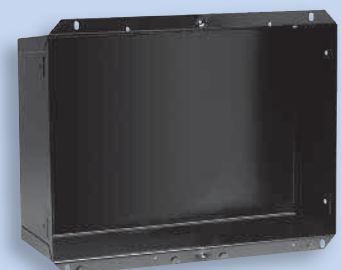
**DIMENSIONS** | 19.75"W x 14"H x 7"D

**PALLET QTY.** | 48

**CUBE** | 1.12



Heater Assembly with Thermostat



Wall Can



PHONE 360.693.2505  
 FAX 360.694.8668  
 WEB www.cadetco.com

**Technical Information:**

All models come with a built-in double pole thermostat. Fan heaters work best when installed on an inside wall. UL requires heater to be placed a minimum distance of 6" from adjacent surfaces and 6" from the floor. Manufacturer recommends installation 12" from all surfaces. A 3' minimum clearance is required for furniture or other objects placed directly in front of heater.

**NOTE:** Manufacturer recommends installing heater assembly after walls are finished. Heater must be cleaned every six months minimum.

**Ordering Information:**

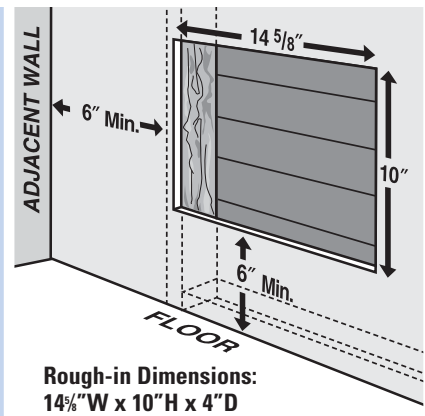
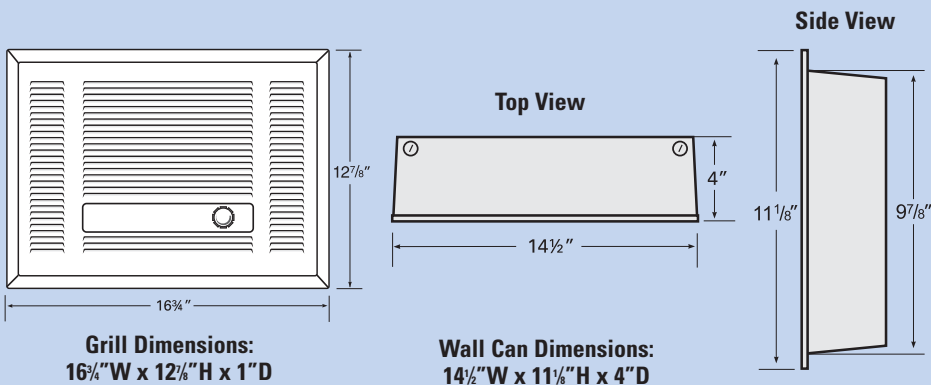
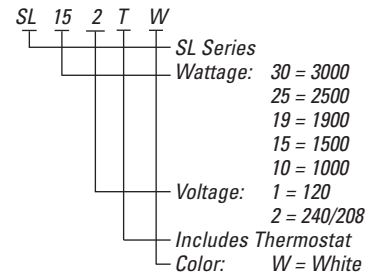
Recess or surface mount wall cans sold separately. Available in white.

UPC Code				WATTS			AMPS			
Part#	Model#	Description		240V	208V	120V	240V	208V	120V	Wt./Lbs
027418 79222	8	SL302TW	Heater Assembly and Grill Only, White	3000	2250		12.5	10.82		9
027418 79230	3	SL252TW	Heater Assembly and Grill Only, White	2500	1875		10.42	9.01		9
027418 79221	1	SL192TW	Heater Assembly and Grill Only, White	1900	1425		7.92	6.85		9
027418 79220	4	SL152TW	Heater Assembly and Grill Only, White	1500	1125		6.25	5.41		9
027418 79219	8	SL151TW	Heater Assembly and Grill Only, White			1500			12.5	9
027418 79233	4	SL101TW	Heater Assembly and Grill Only, White			1000			8.33	9

UPC Code		ACCESSORIES		
Part#	Model#	Description	Wt./Lbs	
027418 79239	6	SLC	Wall Can Recess Mount	4
027418 79240	2	SLC-S	Wall Can Surface Mount, 17"W x 13"H x 4"D	7

Thermostat temperature range 40°F to 85°F

**Model No. Code**



# The NLW Series

The premier choice for larger areas



## SAFETY

Thermal Safeguard  
- High temperature manual reset:  
turns off heater if normal operating  
temperatures are exceeded



## QUALITY

Powder coat paint process eliminates sharp  
metal edges



## COMFORT

- Grill design provides even air distribution
- Fan runs independently to circulate air  
in the summer
- Oversized fan provides quiet operation



## CONVENIENCE

Built-in double pole thermostat with temperature  
range of 40°F to 85°F

### General Information:

The NLW Series is a proven, reliable fan heater for medium to large areas. The unitized grill frame design is standard on all units. A unique fan reduces air turbulence, which allows The NLW Series to deliver heat quietly, while a specially designed heat chamber circulates warmed air downward, gently warming the area. During the summer months, the fan can be operated independently to provide soothing air circulation. Also included is an adjustable automatic quick-action thermostat control for your comfort and convenience.

### Architectural Information:

Fan forced electric air heaters shall be UL listed and factory rated at 208V or dual rated 208V/240V. Element shall be of nichrome type with an oversized 25 amp at 240V high temperature manual reset limit switch. Blower delivers 90 CFM and shall be driven by an impedance protected motor. The motor shall be totally isolated from the heating chamber. Metal screen shall have expanded sheet metal, 22 gauge construction and be finished in black. Grill frame shall have 22 gauge construction, mounted with 3 screws and finished with a powder coat paint system. A painted 22 gauge wall mounting can with 2 knockouts and 70 cubic inch wiring compartment is also available.



Learn more about  
The NLW Series  
Scan It Now!



### Carton Details

#### Heater Assembly & Grill Carton

DIMENSIONS | 22"W x 17.5"H x 6.5"D

PALLET QTY. | 24

CUBE | 1.4



Heater Assembly with  
Thermostat and Fan Switch



Wall Can



PHONE 360.693.2505  
 FAX 360.694.8668  
 WEB www.cadetco.com

**Technical Information:**

All models come with a built-in double pole thermostat. Fan heaters work best when installed on an inside wall. UL requires heater to be placed a minimum distance of 6" from adjacent surfaces and 6" from the floor. Manufacturer recommends installation 12" from all surfaces. A 3' minimum clearance is required for furniture or other objects placed directly in front of heater.

**NOTE:** Manufacturer recommends installing heater assembly after walls are finished. Heater must be cleaned every six months minimum.

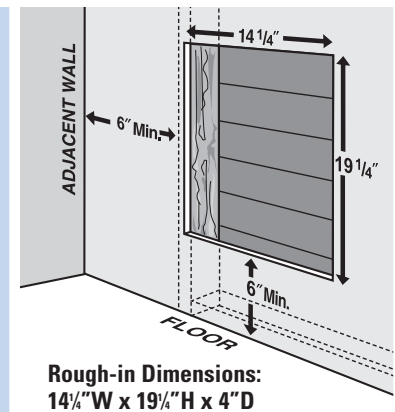
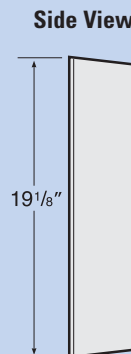
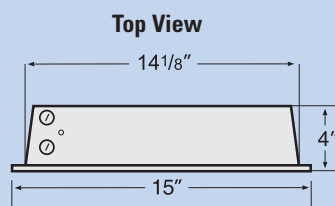
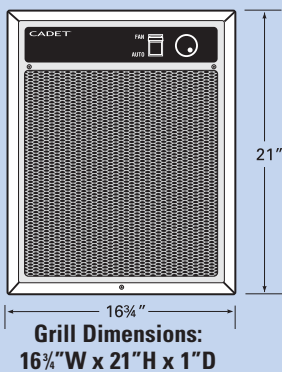
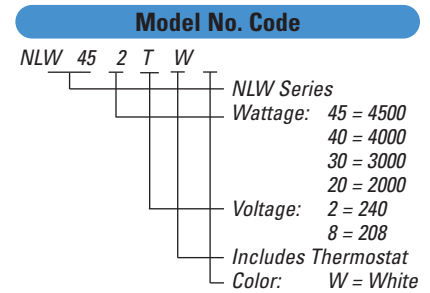
**Ordering Information:**

White trim with black mesh grill. Recess or surface mount wall cans sold separately.

UPC Code			WATTS			AMPS			Wt./Lbs
Part #	Model#	Description	240V	208V	120V	240V	208V	120V	
027418 79203 7	NLW452TW	Heater Assembly and Grill Only, White	4500	3375		18.75	16.23		16
027418 79202 0	NLW402TW	Heater Assembly and Grill Only, White	4000	3000		16.67	14.42		16
027418 79201 3	NLW302TW	Heater Assembly and Grill Only, White	3000	2250		12.5	10.82		16
027418 79200 6	NLW202TW	Heater Assembly and Grill Only, White	2000	1500		8.33	7.21		16
027418 79210 5	NLW408TW	Heater Assembly and Grill Only, White		4000			19.23		16
027418 79209 9	NLW308TW	Heater Assembly and Grill Only, White		3000			14.42		16
027418 79208 2	NLW208TW	Heater Assembly and Grill Only, White		2000			9.62		16

UPC Code		ACCESSORIES		Wt./Lbs
Part#	Model#	Description		
027418 79214 3	NLWC	Wall Can Recess Mount		5
027418 79215 0	NLWC-S	Wall Can Surface Mount, 16.625"W x 20.625"H x 4"D		10

Thermostat temperature range 40°F to 85°F



# The RBF Series



### General Information:

The RBF101 is a compact bathroom fan heater that features a convenient on/off rocker switch control and a fan forced interior from our most popular heater The Com-Pak Plus. The heater is on until manually turned off. The mesh screen attached to the grill breaks up the flow of air, providing a more gentle heat distribution. Factory rated at 1000 watts at 120V, this unit includes heater assembly, grill and grill frame.



### SAFETY

- Primary and Secondary Thermal Safeguards
- Robust, heavy duty high temperature manual power reset
- Over temperature one-time thermal fuse



### QUALITY

- Nichrome coil element for quick heat
- Stainless steel grill with frame



### CONVENIENCE

- Built-in on/off switch

### Architectural Information:

Fan forced electric air heaters shall be UL listed and factory rated at 120V. Each complete heater shall be of unitized construction and attach to the wall can with four screws and shall be self-contained and completely separate from the wall mounting can. Element is of nichrome type wire wrapped on mica insulators with a high temperature manual power reset limit switch and an over-temperature thermal back-up. A two stage centrifugal blower shall be driven by an impedance protected motor. The motor shall be totally isolated from the heating chamber. Grill assembly is made up of stamped grill and attached expanded metal screen. Grill trim frame is made of stainless steel.

### Technical Information:

For best results use a timer control with the RBF heater. UL requires a minimum clearance of 6" from adjacent vertical surfaces such as walls, shelving, drapes, etc., and 6" from the floor. Manufacturer recommends 12" from finished floor and adjacent surfaces. A 3' minimum clearance is required for furniture or other objects placed directly in front of heater.

**NOTE:** Manufacturer recommends installing heater assembly after walls are finished. Heater must be cleaned every six months minimum.

### Ordering Information:

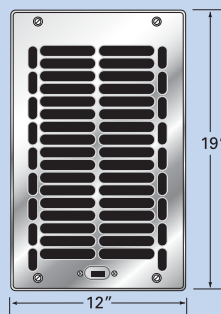
Recommended for elevations under 10,000 feet. Stainless steel grill attaches with frame.



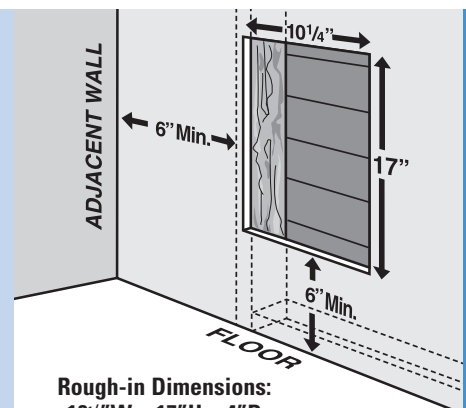
UPC Code				WATTS			AMPS			Wt./Lbs
Part#	Model#	Description	240V	208V	120V	240V	208V	120V		
027418	79241 9	RBF101 Heater assembly, grill, and grill frame			1000			8.33	8	
027418	79243 3	RBFC Wall can, 10 1/4" W x 18" H x 3 1/8" D							4.5	

### Carton Details

**Heater Assembly & Grill Carton**  
**DIMENSIONS** | 19.75"W x 14"H x 7"D  
**PALLET QTY.** | 42  
**CUBE** | 1.12



**Grill Dimensions:**  
12"W x 19"H x 1/4"D



**Rough-in Dimensions:**  
10 1/4"W x 17"H x 4"D



# EBHN Hydronic

The ideal choice for bedrooms and nurseries

PHONE 360.693.2505  
 FAX 360.694.8668  
 WEB www.cadetco.com



**CADET**  
 SAFETY & QUALITY



**CADET**  
**softHEAT**  
 HYDRONIC ELECTRIC BASEBOARD HEATER

**General Information:**

Introducing the new EBHN Hydronic Baseboard with the lowest surface temperatures available and even better reliability and product life! Cadet's premier hydronic baseboard line is recommended for nurseries and bedrooms, and for people with severe allergies. While Softheat offers everyone a comfortably warm room, it was specifically designed to reduce the effects of indoor allergens, compared to other heating systems. Additional benefits include lower operating and low surface temperatures and whisper quiet operation. The Softheat hydronic baseboard uses a non-toxic, non-hazardous circulating heat transfer fluid to provide steady, uniform warmth with longer heat retention and minimal temperature variation. No plumbing necessary! Cadet recommends a wall-mounted thermostat for optimum performance, or you may prefer the convenience of an optional double pole field mount built-in thermostat kit.

**Technical Information:**

Heater is constructed of 22 gauge steel for durability and powder coated for a quality finish. Baseboard heaters work best when placed under a window and at least 12" from furniture or other objects. Keep at least 12" minimum from objects hanging above (i.e., drapes). Do not install below electrical outlets. Heater may be placed directly on the floor and mounted to the wall.



**SAFETY**

Lowest surface temperatures available



**QUALITY**

- Now with improved heating element: fewer joints for ultra durability and reliability
- Now with environmentally friendly fluid



**ENERGY SAVINGS**

Sealed fluid system cools slowly, continuing to retain heat and generate warmth even after shutting off



**CLEAN**

Designed to reduce effects of indoor allergens



**EASY**

Optional field-mount thermostat installs on new EBHN or older EBHA models



**COMFORT**

- Maintains a soft, gentle heat for better comfort
- More consistent room temperatures with fewer on/off cycles for steady, uniform warmth
- Whisper quiet operation

**Ordering Information:**

SOFHEAT EBHN heaters require a thermostat. Optional White Sand color is available by special order. Optional right end wiring available by special order.

Part#	Model#	Description	WATTS		AMPS		Wt./Lbs
			240V	208V	240V	208V	
027418	13157 7	EBHN500W 35" Hydronic Baseboard, White	500	375	2.08	1.8	12
027418	13158 4	EBHN750W 47" Hydronic Baseboard, White	750	563	3.13	2.71	17
027418	13159 1	EBHN1000W 59" Hydronic Baseboard, White, Retail Carton	1000	750	4.17	3.61	22
027418	13359 5	EBHN1000W 59" Hydronic Baseboard, White	1000	750	4.17	3.61	22
027418	13160 7	EBHN1250W 71" Hydronic Baseboard, White	1250	937	5.21	4.50	27
027418	13161 4	EBHN1500W 83" Hydronic Baseboard, White	1500	1125	6.25	5.41	31
027418	13162 1	EBHN500-8W 35" Hydronic Baseboard, White		500		2.4	12
027418	13163 8	EBHN750-8W 47" Hydronic Baseboard, White		750		3.6	17
027418	13164 5	EBHN1000-8W 59" Hydronic Baseboard, White		1000		4.8	22
027418	13165 2	EBHN1250-8W 71" Hydronic Baseboard, White		1250		6.01	27
027418	13166 9	EBHN1500-8W 83" Hydronic Baseboard, White		1500		7.21	31

UPC Code

**ACCESSORIES**

Part#	Model#	Description	Wt./Lbs
027418	13170 6	*EBKNW DP Field Mount Built-In Thermostat, White	.69

\*Thermostat kit temperature range 40°F to 85°F



Learn more about SoftHeat heaters  
 Scan It Now!



**Carton Details**

**Product**

**DIMENSIONS**

Length Varies x 9.5"H x 3.25"D

**Carton**

**DIMENSIONS**

Length Varies x 11.5"H x 5.5"D

# The Cadet Electric Baseboard

The practical choice for bedrooms



## SAFETY

Oversized high temperature limit switch with full length capillary sensor tube



## QUALITY

- Durable steel sheathed element with a limited lifetime warranty
- Rugged steel construction
- White or almond powder coat paint for a durable finish



## EASY

- Easy installation with pre-punched case at 1" intervals
- Thermostats can mount on either end

### General Information:

The electric baseboard heater is the number one choice for low cost installation, and the quiet operation makes it the preferred heater for bedrooms, utilizing convection to circulate air. The cold air falls from the window area as the warm air rises from the heater, causing the air to tumble gently throughout the room. Cadet recommends a wall-mounted thermostat for optimum performance, or you may prefer the convenience of an optional field mount thermostat kit.

### Architectural Information:

Electric baseboard heaters shall be UL listed, factory rated at 120V, 208V, and dual rated from 208V to 240V. Element shall be steel sheathed calrod element with channel shaped aluminum fins. A full length capillary sensor tube shall be an integral part of each unit. Case, cover, and deflector shall be made of 24 gauge steel with 20 gauge junction boxes containing a grounding screw. All metal pieces shall be finished with a powder coat paint system.

### Technical Information:

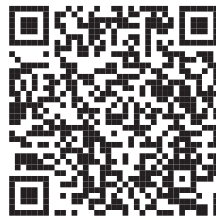
Baseboard heaters work best when placed under a window and at least 12" away from furniture or other objects. Keep at least 12" minimum from objects hanging above (i.e., drapes). Do not install below electrical outlets. The electric baseboard heater may be placed directly on the floor and mounted to the wall. There are only a few exceptions listed in the installation instructions. An optional Cadet MTX mounting tool is helpful for installing the heater. Originally designed for mounting baseboard heaters, its applications are unlimited.

### Ordering Information:

All Cadet baseboard heaters require a thermostat. For optimum comfort use a Cadet electronic thermostat. The 2500 watt baseboard models are 312 watts per foot at 240 volt and low density 250 watts per foot at 208 volt. Standard dual rated 240/208 volt models are 250 watts per foot at 240 volt, and low density 187 watts per foot at 208 volt.



Learn more about  
The Cadet Baseboard  
Scan It Now!



### Carton Details

#### Complete Unit Carton

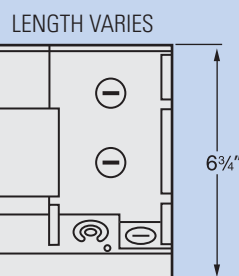
#### DIMENSIONS

Length Varies x 7.25"H x 2.875"D

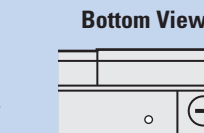
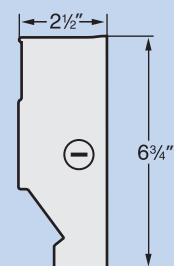
PALLET QTY. | 90

CUBE | Varies

#### Right Front View



#### Side View



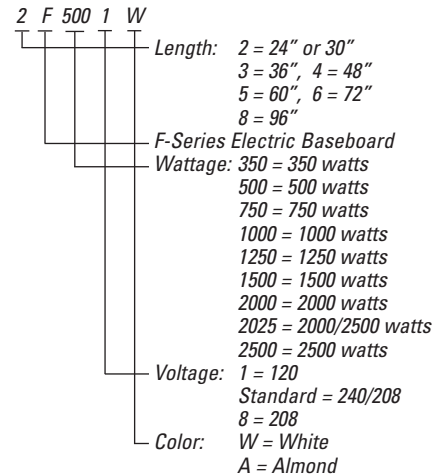
Product Dimensions:  
Length Varies x 6 3/4" H x 2 1/2" D



PHONE 360.693.2505  
 FAX 360.694.8668  
 WEB www.cadetco.com

UPC Code		UPC Code		WATTS			AMPS			Wt./Lbs	
White Part#	Almond Part#	Model#	Description	240V	208V	120V	240V	208V	120V		
027418 05530	9	027418 05520	0	2F500-1			500			4.17	6
027418 05532	3	027418 05522	4	3F750-1			750			6.25	7
027418 05534	7	027418 05524	8	4F1000-1			1000			8.33	9
027418 05536	1	027418 05526	2	6F1500-1			1500			12.5	12
027418 09949	5	027418 06501	8	2F350	350	262		1.46	1.26		5
027418 09950	1	027418 06502	5	2F500	500	375		2.08	1.8		6
027418 09952	5	027418 06508	7	3F750	750	563		3.13	2.71		7
027418 09954	9	027418 06509	4	4F1000	1000	750		4.17	3.61		9
027418 09955	6	027418 06510	0	5F1250	1250	937		5.21	4.5		10
027418 09956	3	027418 06511	7	6F1500	1500	1125		6.25	5.41		12
027418 09958	7	027418 06513	1	8F2000	2000	1500		8.33	7.21		16
027418 09960	0	027418 06515	5	8F2025	2500/2000	1875/1500		10.41/8.33	9.01/7.21		18
027418 03360	4	027418 03358	1	8F2500	2500	1875		10.41	9.01		18
027418 11924	7	027418 11918	6	2F500-8		500			2.4		6
027418 11934	6	027418 11938	4	3F750-8		750			3.61		7
027418 11944	5	027418 11948	3	4F1000-8		1000			4.81		9
027418 11954	4	027418 11958	2	5F1250-8		1250			6.01		10
027418 11964	3	027418 11968	1	6F1500-8		1500			7.21		12
027418 11984	1	027418 11988	9	8F2000-8		2000			9.62		16
027418 10924	8	027418 11990	2	8F2500-8		2500			12.02		18

UPC Code		UPC Code		ACCESSORIES			
White Part#	Almond Part#	Model#	Description	Wt./Lbs	Model No. Code		
027418 03400	7	027418 03405	2	SBFT2*	Smart-Base™ Thermostat Kit Retail Pack DP 12.6 amp	.75	
027418 08732	4	027418 03366	6	BTF1*	Thermostat Kit Retail Pack Single Pole, 22 amp	.5	
027418 08734	8	027418 03365	9	BTF2*	Thermostat Kit Retail Pack Double Pole, 22 amp	.5	
027418 14915	2	027418 14910	7	BTF1*	Thermostat Kit Boxed Single Pole, 22 amp	.5	
027418 14925	1	027418 14920	6	BTF2*	Thermostat Kit Boxed Double Pole, 22 amp	.5	
027418 14932	9	027418 14930	5	BTF1TP*	Thermostat Kit Single Pole Tamper Proof, 22 amp	.44	
027418 14942	8	027418 14940	4	BTF2TP*	Thermostat Kit Double Pole Tamper Proof, 22 amp	1	
027418 06795	1	027418 06794	4	UPT	Pump House Thermostat Kit (38°F to 98°F)	.5	
027418 14902	2	027418 14900	8	BRF12	120V Receptacle Plate	.38	
027418 14963	3	027418 14960	2	LTF240	240V Load Transfer Plate	1	
027418 14971	8	027418 14970	1	BLF1	Corner Connector	.44	
027418 11030	5			MTX	Mounting Tool	1	

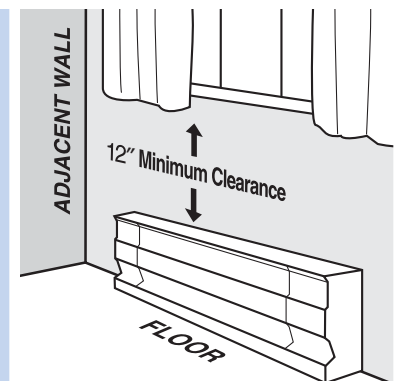
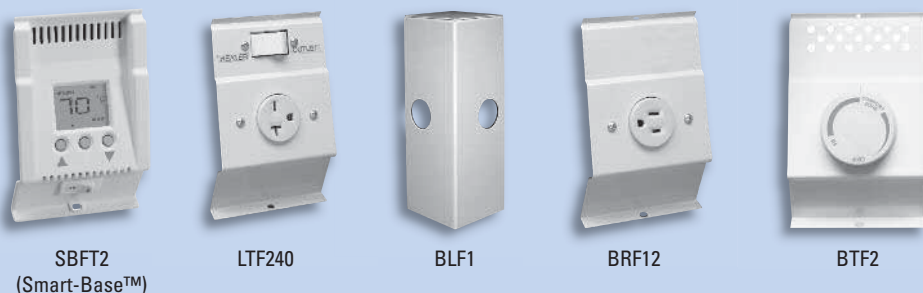


\*Thermostat temperature range 40°F to 85°F

**Accessories:**

Choose the Smart-Base™ electronic, programmable thermostat, designed specifically for Cadet "F" Series electric baseboards (208-240 volt only), for precise temperature control and increased energy savings. A single pole (BTF1) or double pole (BTF2) bimetal thermostat is also available to install into either end of the baseboard heater. Since an electrical outlet

may not be installed above a heater (National Electric Code), you may use a BRF12 outlet in either end of the baseboard to meet local building codes. To switch between the Cadet baseboard heater and a cooling unit, the LTF240 can be utilized. Inside corner connectors (BLF1) are available to fit various designs, such as corner window areas.



# The Hot One®

Great for garages and shops

PHONE 360.693.2505  
 FAX 360.694.8668  
 WEB www.cadetco.com



### General Information:

The Hot One® 240 volt portable heater is designed with the same rugged construction as Cadet's commercial unit heater line. It provides warmth for large areas that are often difficult to heat, like garages and workshops. The fan delay mechanism, standard on all units, allows the element to heat before blowing air, thereby eliminating cold startups. It also delays the shutdown of the fan after the element turns off to disperse residual heat. The Hot One® comes factory equipped with a bracket for either wall mount or floor stand use (non-marking rubber pads are included on the mounting bracket). The area must be equipped with an accessible 240 volt receptacle.

### Architectural Information:

Portable fan unit heater shall be UL listed and rated at 240V. External cabinet shall be constructed of 20 gauge high quality steel and shall be finished with a baked on powder coat paint. Fan shall be aluminum blade axial flow type, and mounted directly to the motor shaft. Motor shall be shaded pole with ball bearings. Heating elements shall be sealed in magnesium oxide powder and protected by metal sheathing and aluminum fins. Heater shall be equipped with manual reset thermal cut out for over temperature protection. Fan motor circuits shall be thermostatically controlled with fan delay.

### Technical Information:

The Hot One® 240 volt heater is available in 5,000 watts (3,333 low setting). It also includes a fan switch for air circulation without heat. All units include a built-in double pole thermostat. UL requires a 3' minimum clearance from front. For optimum performance Cadet recommends 6" from back and top, and 12" from sides.

### SAFETY

Thermal Safeguard  
 - High temperature manual reset:  
 turns off heater if normal operating  
 temperatures are exceeded

### QUALITY

High mass, tubular element for long life

### COMFORT

- Fan delay eliminates cold draft on startup and disperses residual heat on shutdown
- Hi/Low switch for heat output (5000 watts / 3333 watts)
- Fan only control for air circulation

### CONVENIENCE

- Built-in double pole thermostat
- Portable, great for garages and workshops
- 6 foot cord (with polarized plug) for 240V use

### EASY

Bracket for wall mount or floor stand use

### Ordering Information:

Standard color for The Hot One® heater is red with black detail. Recommended for elevations under 7500 feet.



Learn more about  
 The Hot One®  
 Scan It Now!



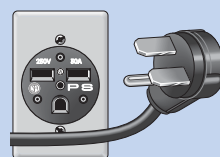
UPC Code			WATTS HI/LOW			AMPS HI/LOW			
Part#	Model#	Description	240V	208V	120V	240V	208V	120V	Wt./Lbs
027418	10289 8	RCP502S Portable Unit Heater	5000 / 3333			20.8 / 13.9			31

### Carton Details

#### Complete Unit Carton

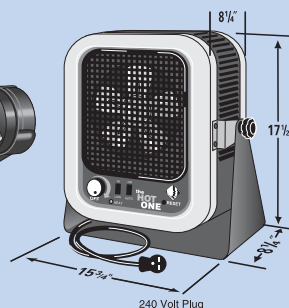
**DIMENSIONS** | 20.75"W x 18.75"H x 10.25"D  
**PALLET QTY.** | 20  
**CUBE** | 2.3

### Receptacle/Plug Configuration

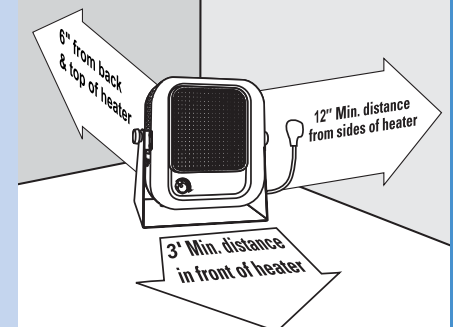


30 AMP  
 RCP502S

### Product Dimensions: 15½"W x 17½"H x 8¼"D



### Clearance Requirements



# The CEH

## Industrial unit heater



**CADET**  
SAFETY & QUALITY



### SAFETY

Thermal Safeguard

- High temperature manual reset: turns off heater if normal operating temperatures are exceeded



### QUALITY

- High mass, tubular element for long life
- Rugged die formed construction for durability



### COMFORT

- Fan delay eliminates cold draft on startup and disperses residual heat on shutdown



### CONVENIENCE

- Wire single or three phase to suit the application
- Mounts vertically or horizontally

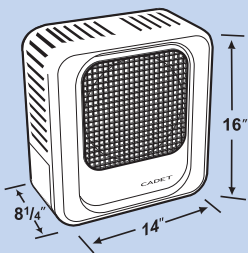
#### General Information:

Calculate the heat loss of the area to be heated. It is recommended that one of the following methods be used: ASHRAE Guide and Data Book (The American Society of Heating, Refrigeration & Air Conditioning Engineers); The NEMA Handbook (The National Electrical Manufacturer's Association); or the ACCA Manual J (The Air Conditioning Contractors of America). The layout of the space to be heated must be taken into consideration to determine the selection of the heater and air displacement. Most applications benefit from a combination of vertically and horizontally discharged air delivery. In buildings with large doors that are frequently opened, use a high velocity heater with horizontal air flow across the opening, or use an infrared heater. In smaller areas where comfort is a prime consideration, more heaters of smaller capacity are recommended. Smaller KW heaters such as the CEH005-P are also recommended for low mounting heights to avoid discomfort and increased noise levels. Additionally, there is better air distribution by using a greater number of lower KW heaters.

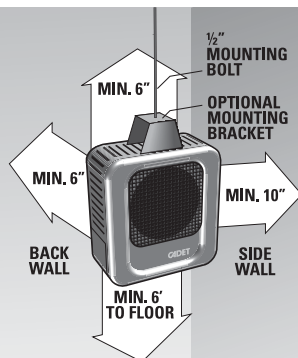
**Horizontal Air Flow** – Position heaters to allow the air flow to “wipe” the exposed walls without blowing directly against the wall. Spacing between the heaters should be approximately 1.5 times the “air throw” of the heaters (approx. air throw is 12’).

**Vertical Air Flow** – When vertical discharging heaters are used exclusively, the air streams must overlap to blanket outside walls and provide good heat distribution. Vertical air flow is best used for areas with high ceilings or bays. Vertical discharging units are to be mounted high above machinery, assembly lines, etc. Vertical discharging units are best used when the perimeter heat loss is adequately controlled.

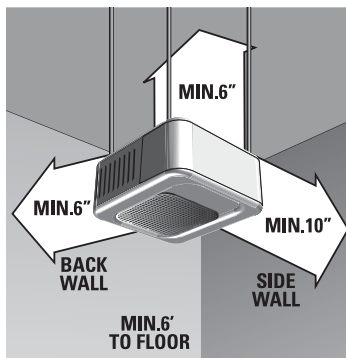
**Learn more about The CEH**  
**Scan It Now!**



**Product Dimensions:**  
14"W x 16"H x 8 1/4"D



**Horizontal mount:**  
clearance requirements



**Vertical mount:**  
clearance requirements

#### Carton Details

##### Complete Unit Carton

<b>DIMENSIONS</b>	17.63"W x 14.5"H x 11.63"D
<b>PALLET QTY.</b>	20
<b>CUBE</b>	1.7





PHONE 360.693.2505  
 FAX 360.694.8668  
 WEB www.cadetco.com

**Ordering Information:**

Model CEH005-P (1 Phase) is designed to use a C600M, C600S or a CEKTB2 thermostat. If you add the jumpers, as shown on the heater wiring diagram (supplied with instructions and in wiring compartment) you can use a Single Pole 22 amp wall stat or a CEKTB1 thermostat. USE ONLY C600M, C600S, OR A CEKTB2 FOR 3 PHASE hookup on this model.

Approximate air throw is 12'. The CEH is recommended for elevations under 7500 feet.

**Architectural Information:**

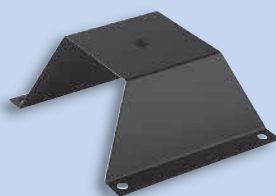
Fan forced unit heater shall be UL listed and dual rated at 208, 240 volts. Horizontal or vertical mounting shall be possible to direct discharged air. External cabinet shall be constructed of 20 gauge high quality steel. All metal surfaces of the cabinet, external and internal, shall be finished with a baked on powder coat paint system. Fan shall be aluminum blade axial flow type, and mounted directly to the motor shaft. Motor shall be shaded pole, industrial rated, with an inherent overheating protection device. Heating elements shall be sealed in magnesium oxide powder and protected by metal sheathing, over which aluminum fins are applied. Heater shall be equipped with manual reset thermal cut out for over temperature protection. Fan motor circuit shall be thermostatically controlled, allowing fan to remain operating after the elements have shut off, discharging the residual element heat. Wiring compartment shall have convenient access door with captured hardware.

UPC Code			WATTS			AMPS		Wt./Lbs		
Part#	Model#	Description	Phase	240V	208V	240V	208V			
027418	09265	6	CEH005-P	Unit Heater	1/3	5,000	3,750	20.80	18.00	24

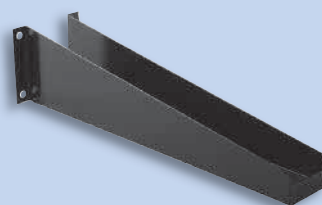
UPC Code			ACCESSORIES		Wt./Lbs
Part#	Model#	Description	Phase	Wt./Lbs	
027418	09282	3	CEKV1	AirVane (louver) Kit	1
027418	09610	4	CEKTB1*	Single Pole Field Mount Thermostat	.44
027418	09615	9	CEKTB2*	2 Stage Field Mount Thermostat	.69
027418	09660	9	CEKM1	Ceiling Hat Bracket	1.35
027418	09670	8	CEKWM	Wall Hanger Arm (Also requires CEKM1)	4.7

Specifications	CEH005
CFM	350
FPM	940
Temp. Rise (°F)	45°
Motor HP	1/70
Motor RPM	1600
Recommended Spacing (ft.)	12

\*Thermostat kit maximum temperature range 110°F



**CEKM1**  
Ceiling Hat Bracket



**CEKWM**  
Wall Hanger Arm  
(Requires CEKM1)

# The Cadet Garage/Utility Heater

Great for garages and shops - CGH402



**CADET**  
SAFETY & QUALITY



## SAFETY

Thermal Safeguard  
- High temperature manual reset:  
turns off heater if normal operating  
temperatures are exceeded



## QUALITY

Finned steel tubular heating element



## CONVENIENCE

- Open airflow design reduces debris build up
- Built-in single pole thermostat with mechanical "OFF" position
- Portable, great for garages and workshops
- 6 foot cord with polarized plug for 240V use



## EASY

Bracket for floor, wall, or ceiling mount

### General Information:

The CGH402 240 volt portable garage heater is designed with rugged, durable construction. The open airflow design reduces debris build up, and provides warmth for large areas that are often difficult to heat, like garages and workshops. The CGH402 is for floor or flat surface mounting, but can be mounted on wall or ceiling with proper anchoring provisions. The area must be equipped with an accessible 240 volt receptacle.

### Architectural Information:

Portable fan unit heater shall be UL listed and rated at 240V. External cabinet shall be constructed of 20 gauge high quality steel and shall be finished with a baked on powder coat paint. Fan shall be aluminum blade axial flow type and mounted directly to the motor shaft. Motor shall be shaded pole. Heating elements shall be sealed in magnesium oxide powder and protected by metal sheathing and spiral fins. Heater shall be equipped with a manual reset thermal cutout for over temperature protection. Fan motor circuits shall be thermostatically controlled.

### Technical Information:

Unit includes a built-in single pole thermostat. UL requires a 3' minimum clearance from front. For optimum performance Cadet recommends 12" from back and top, and 12" from sides. Heater must be kept clean of lint, dirt, and debris.

### Ordering Information:

Available in red with black detail.

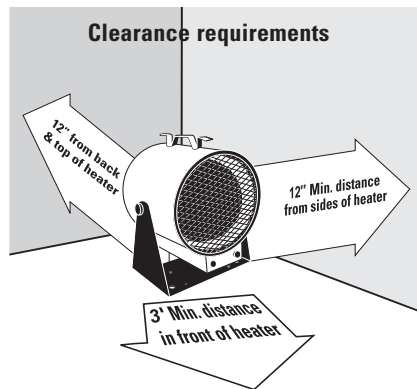
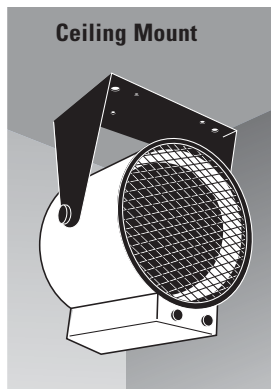
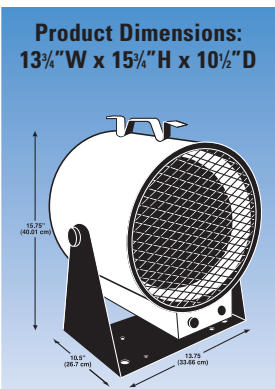


Learn more about the  
Garage/Utility Heater  
Scan It Now!



UPC Code			WATTS			AMPS			Wt./Lbs
Part#	Model#	Description	240V	208V	120V	240V	208V	120V	
027418 10330 7	CGH402	Portable Unit Heater	4000	3000		16.7	14.4		20

CGH402



**Carton Details**

**Complete Unit Carton**

**DIMENSIONS** | 12.4"W x 14.4"H x 17.1"D

**PALLET QTY.** | 18

**CUBE** | 1.77

**Receptacle/Plug Configuration**  
20 AMP CGH402

*\*Requires NEMA #6-20 Receptacle*

# The Cadet Utility Unit Heater

Great for garages and shops - CGH562

PHONE 360.693.2505  
 FAX 360.694.8668  
 WEB www.cadetco.com



**CADET**  
 SAFETY & QUALITY



**General Information:**

The CGH562 240 volt portable unit heater is designed with rugged, durable construction. It provides warmth for large areas that are often difficult to heat, like garages and workshops. Continuous fan operation allows fan to operate without heating, to provide comfortable air circulation. The CGH562 comes factory equipped with a bracket for either wall mount or floor stand use (non-marking rubber pads are included on the mounting bracket). The area must be equipped with an accessible 240 volt receptacle.

**Architectural Information:**

Portable fan unit heater shall be UL listed and rated at 240V. External cabinet shall be constructed of 20 gauge high quality steel and shall be finished with a baked on powder coat paint. Fan shall be aluminum blade axial flow type, and mounted directly to the motor shaft. Motor shall be shaded pole with ball bearings. Heating elements shall be sealed in magnesium oxide powder and protected by metal sheathing and aluminum fins. Heater shall be equipped with manual reset thermal cut out for over temperature protection. Fan motor circuits shall be thermostatically controlled with fan delay.

**Technical Information:**

The CGH562 includes a fan switch for air circulation without heat. All units include a built-in single pole thermostat. UL requires a 3' minimum clearance from front. For optimum performance Cadet recommends 6" from back and top, and 12" from sides.



**SAFETY**

Thermal Safeguard  
 - High temperature auto reset:  
 turns off heater if normal operating temperatures are exceeded



**QUALITY**

Finned steel tubular heating element



**CLEAN**

Open airflow design reduces debris build up



**EASY**

Bracket for floor, wall, or ceiling mount provides multiple mounting options



**CONVENIENCE**

- 6 foot cord with molded plug for 240V use
- Portable, great for garages and workshops
- Built-in single pole thermostat with "no heat" position
- Provides up to 5600 watts of heating capacity to heat a large space.



**COMFORT**

Fan only control for air circulation

**Ordering Information:**

Available in Almond. Recommended for elevations under 7500 feet.



Learn more about the Unit Heater  
**Scan It Now!**



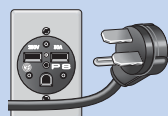
UPC Code			WATTS			AMPS HI/LOW			Wt./Lbs
Part#	Model#	Description	240V	208V	120V	240V	208V	120V	
027418 10338 3	CGH562	Portable Unit Heater	5600	4200		23.4	20.2		

**Carton Details**

**Complete Unit Carton**

**DIMENSIONS** | 15"W x 16.75"H x 14.25"D  
**PALLET QTY.** | 18  
**CUBE** | 2.07

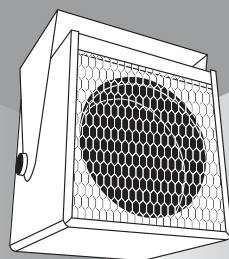
**Receptacle/Plug Configuration**



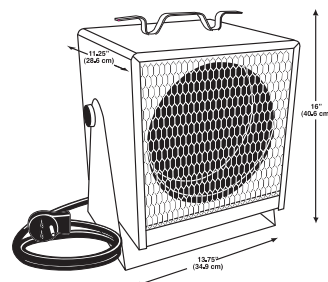
30 AMP  
 CGH562

\*Requires NEMA #6-30 Receptacle

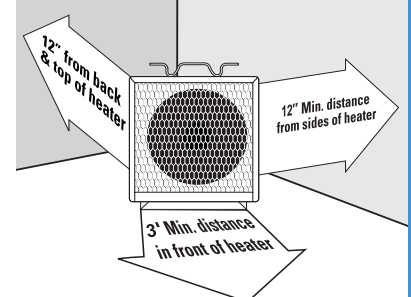
**Ceiling Mount**



**Product Dimensions:**  
 13 3/4" W x 16" H x 11 1/4" D



**Clearance requirements.**



**CGH562**

# Electronic Thermostats

Save Energy, Improve Comfort





**CADET**  
SAFETY & QUALITY



Electronic thermostats are an easy way to **reduce energy consumption and improve comfort** with zonal heat. Electronic thermostats provide:

- **Improved comfort** by maintaining a stable, more even room temperature
- **Increased energy savings** and lower heating costs
- **Best value** for homeowners over the long-term

## How do electronic thermostats save energy?

Conventional Bi-Metal Thermostat	Electronic Thermostat
 <p>Mechanical reaction to the ambient temperature</p> <p>Variations of 4°F above or below the desired temperature</p> <p>Exact temperature not displayed</p> <p>Frequent fiddling with thermostat</p> <p>Higher heating costs</p>	 <p>An electronic sensor continually reads the ambient temperature</p> <p>Variations of 0.5°F above or below the desired temperature</p> <p>Precise temperature displayed</p> <p>Desired temperature maintained constantly</p> <p>Save up to 28% on heating costs</p>



# The TH106

## Electronic Programmable Thermostat

PHONE 360.693.2505  
 FAX 360.694.8668  
 WEB www.cadetco.com



**CADET**<sup>®</sup>  
 SAFETY & QUALITY



### FEATURES AND BENEFITS

- Unsurpassed digital temperature sensing provides unbeatable accuracy of 0.15°C / 0.27°F, eliminating temperature swings
- Use with 120, 208, or 240 Volt In-Wall Electric Heaters and Baseboards, up to 4000 watts
- On-screen heating power indicator verifies power being used at-a-glance
- Triac switching action provides 100% silent operation
- 7-day programming with Early Start function, 4 daily time periods, pre-programmed or personalized schedule
- Push button programming override options
- Two-wire design with non-polarized lead wires assure easy installation for new construction or replacement
- Can be set for 15-second (baseboard) cycles, or 15 minute (fan based) cycles.
- Single pole (2 wires)

### Best Choice Programmable

#### General Information:

The TH106 programmable electronic thermostat allows you to save up to 30% on your heating bill. It offers constant comfort with digital temperature sensing and control, and can suit all needs with easy push button 7-day personalized or pre-programmed settings. The TH106 thermostat provides battery free back up, triac switching for silent operation, and an early start function to calculate the optimal heating start period. Its timeless design can replace most wall-mount line voltage thermostats. This single pole (2 wire) model thermostat is recommended for 120, 208, and 240 volt (line voltage) baseboard and in-wall fan heaters, and can be set for 15-second (baseboard) cycles, or 15-minute (fan heater) cycles. Setpoint range: 40°F to 86°F (5°C to 30°C). Not available with backlight.

#### Architectural Information:

The electronic thermostat shall be UL and CSA listed. The line voltage temperature control shall be digital with LCD display. Switching means shall be by "Triac switching action" to eliminate RF line noise. The control shall be capable of switching loads of 16.7 amps at 240 VAC. Minimum load requirement 2 amps. LCD display shall show time of day, actual room temperature, mode and current status of the heater. Programming choices shall be 7-day with 4 daily settings. Unit shall have a default temperature program of 62°F (16.5°C). Device shall have ability to retain programming indefinitely. Time setting must be readjusted if power outage lasts more than 2 hours. No batteries shall be required for operation.

**Ordering Information:** Available in white

#### Carton Details

##### Product

DIMENSIONS | 5"W x 4.9"H x 1.5"D

##### Single Carton

DIMENSIONS | 6"W x 5.25"H x 2"D

##### Case

DIMENSIONS | 13.5"W x 8"H x 22.5"D

UPC Code

Part#	Model#	Description	Wt./Lbs	Case Qty
027418	08160 5	TH106 Wholesale Boxed Electronic Programmable SP 16.7A 120V/208V/240V	1	10



Learn more about  
**The TH106**  
 Scan It Now!





# The TH110

## Electronic Programmable Thermostat

PHONE 360.693.2505  
 FAX 360.694.8668  
 WEB www.cadetco.com



**CADET**  
 SAFETY & QUALITY



### FEATURES AND BENEFITS

- Advanced temperature control ensures comfort by minimizing temperature swings to  $\pm 0.5^{\circ}\text{C}$  /  $0.9^{\circ}\text{F}$
- Use with 240 or 208 Volt In-Wall Electric Heaters and Baseboards, up to 3840 watts
- Large, legible LCD display in slim profile design
- Zero crossover contact relay minimizes noise
- 7-day programming with Early Start Function, 4 daily time periods and pre-programmed or personalized schedule
- Push button programming override options
- On/Standby switch enables positive thermostat shutdown for added security
- Double pole (4 wires)

### Best Choice Programmable

#### General Information:

Save up to 28% on your heating bill with the TH110-DP-P programmable electronic thermostat. The TH110 provides constant comfort with digital temperature sensing and control, and can suit all needs with a choice of easy push button 7-day personalized or pre-programmed settings. The large, legible LCD makes this a premium choice in a programmable thermostat. This double pole (4 wire) model thermostat is recommended for both 240 and 208 volt (line voltage) baseboard and in-wall fan heaters. Setpoint range: 40°F to 86°F (5°C to 30°C). Not available with backlight.

**Ordering Information:** Available in white.

#### Architectural Information:

The electronic thermostat shall be UL and CSA listed. The line voltage temperature control shall be digital with LCD display. Switching means shall be by "zero crossover" to minimize RF line noise. The control shall be capable of switching loads of 16 amps at 240 VAC. Minimum load requirement 2 amps. LCD display shall show time of day, actual room temperature, mode and current status of the heater. Programming choices shall be 7-day with 4 daily settings. Unit shall have programmed a default temperature of 62°F (16.5°C). Device shall have ability to retain programming indefinitely. Time setting must be readjusted if power outage lasts more than 2 hours. No batteries shall be required for operation.

TH110-DP-P

UPC Code

Part#	Model#	Description	Wt./Lbs	Case Qty
027418	08161 2	TH110-DP-P Retail Pack Electronic Programmable DP 16A 240V/208V	.7	6



Learn more about  
 The TH110  
 Scan It Now!



#### Carton Details

##### Product

**DIMENSIONS** 3"W x 5.1"H x 1.6"D

##### Single Carton

**DIMENSIONS** 7.25"W x 8.75"H x 2"D

##### Case

**DIMENSIONS** 18.9"W x 9.25"H x 9.84"D

# The TH114

## Electronic Non-Programmable Thermostat

PHONE 360.693.2505  
FAX 360.694.8668  
WEB www.cadetco.com



### Best Choice Non-Programmable – Large Areas

#### General Information:

The TH114-A-240D electronic thermostat provides precise temperature control using a proportional integral adaptive microprocessor. The slim design, backlit display, and push button access make this a premium choice for a non-programmable thermostat. This double pole (4 wire) model thermostat is recommended for both 240 and 208 volt (line voltage) baseboard and in-wall heater applications. Ambient setpoint range: 40°F to 86°F (5°C to 30°C).

### FEATURES AND BENEFITS

- Advanced electronic temperature control in a **non-programmable** thermostat minimizes temperature swings to  $\pm 0.5^{\circ}\text{C}$  /  $0.9^{\circ}\text{F}$
- Use with 240 or 208 Volt In-Wall Electric Heaters and Baseboards, up to 3840 watts
- Backlit display enhances readability in dimly lit or darkened rooms
- Quiet operation
- On-screen heating power indicator gives at-a-glance verification of power being used
- Push button controls
- On/Standby switch enables thermostat shutdown at end of heating season for added security
- Double Pole (4 wires)

#### Architectural Information:

The electronic thermostat shall be UL and CSA listed. The thermostat shall have LED indication of status of heater. The control shall be capable of switching loads of 16 amps at 240 VAC. Minimum load requirement 2 amps. Unit shall include thermistor and microprocessor. Vented housing shall be white and made of flame retardant high impact plastic with two mounting screws provided. No batteries shall be required for operation.

**Ordering Information:** Available in white.

#### Carton Details

##### Product

DIMENSIONS | 2.76"W x 4.9"H x .9"D

##### Single Carton

DIMENSIONS | 3.5"W x 5.5"H x 2.25"D

##### Case

DIMENSIONS | 13"W x 10.5"H x 13.5"D

#### UPC Code

Part#	Model#	Description	Wt./Lbs	Case Qty
027418 08162 9	TH114-A-240-D	Wholesale Boxed Electronic Non-Programmable DP 16A 240V/208V	1	10



Learn more about  
The TH114  
Scan It Now!



# The TH401

Electronic Non-Programmable Thermostat

PHONE 360.693.2505  
 FAX 360.694.8668  
 WEB www.cadetco.com



**CADET**  
 SAFETY & QUALITY



**Best Choice Non-Programmable –  
 Smaller Areas**

## FEATURES AND BENEFITS

- Unsurpassed digital temperature sensing provides unbeatable accuracy of 0.15°C / 0.27°F, eliminating temperature swings
- Use with 120, 208 or 240 Volt In-Wall Electric Heaters and Baseboards, up to 2500 watts
- On-screen heating power indicator verifies power being used at-a-glance
- Triac switching action provides 100% silent operation
- Temperature lock limits minimum and maximum setpoints
- Push button controls
- Two-wire design with non-polarized lead wires assure easy installation for new construction or replacement
- Screen illumination on demand by pushing up or down buttons
- Single Pole (2 wires)

### General Information:

The TH401 electronic thermostat provides precise temperature control using a proportional integral adaptive microprocessor. The slim design, triac switching for silent operation, and push button access make this a premium choice for a non-programmable thermostat. This single pole (2 wire) model thermostat is recommended for 120, 208, and 240 volt (line voltage) baseboard and in-wall fan heaters, and can be set for 15-second (baseboard) cycles, or 5-minute (fan heater) cycles. Setpoint range: 40°F to 86°F (5°C to 30°C).

### Architectural Information:

The electronic thermostat shall be UL and CSA listed. The thermostat shall have LED indication of status of heater. Switching means shall be by "Triac switching action" to eliminate RF line noise. The control shall be capable of switching maximum loads of 10.4 amps at 240 VAC. Minimum load requirement .83 amp. Vented housing shall be white and made of flame retardant high impact plastic with two mounting screws provided. No batteries shall be required for operation.

**Ordering Information:** Available in white.

TH401

UPC Code

Part#	Model#	Description	Wt./Lbs	Case Qty
027418 72838 2	TH401	Wholesale Boxed Electronic Non-Programmable SP 10.4A 120V/208V/240V	.6	10



Learn more about  
 The TH401  
 Scan It Now!



### Carton Details

**Product**

DIMENSIONS | 3.3"W x 5"H x 1.2"D

**Single Carton**

DIMENSIONS | 3.75"W x 5.25" H x 2.75"D

**Case**

DIMENSIONS | 14.57"W x 8.27"H x 6.3"D

# The V8-BB-7S

Electronic Programmable Occupancy Sensing Thermostat

PHONE 360.693.2505  
 FAX 360.694.8668  
 WEB www.cadetco.com



## Ultimate Choice in Energy Savings

### General Information:

The V8-BB-7S Model by Verdant is a unique 7-day programmable thermostat that features occupancy sensing and innovative energy saving features. The built-in occupancy sensor uses a combination of motion and thermal sensing technologies for 100% reliable occupancy detection that allows for ultimate energy savings when the room is unoccupied and no heat is required. Perfect for hotels or residential use, the set points can be adapted to your needs for short or long vacancy occupancy settings, and includes configurable maximum set point limits.

The 7-day programming allows for personalized or pre-programmed settings. Unique easy-to use non-programmable mode can also be utilized for even greater flexibility. Two equipment modes are included: fan-forced heaters or baseboard and radiant heaters.

### Architectural Information:

The electronic occupancy sensing thermostat shall be ETL listed. The line voltage temperature control shall be digital with LCD display. "Triac switching action" eliminates RF line noise. The control shall be capable of switching loads of 12.5 amps at 240 VAC. LCD display shall show time of day, actual room temperature, and heating-strength-meter and/or fan activity indicator. Two (2) independent equipment modes shall allow selecting operation mode for controlling different heating equipment. "Radiant" mode, designed for use with baseboard and radiant heaters, shows heater power consumption with on-screen heating-strength-meter. "Fan-forced" mode, for use with fan-forced convector heaters, shows fan activity by displaying animated fan indicator. Programming choices shall be 7-day with 4 daily settings, or non-programmable.

Occupancy sensing shall have "Short Vacancy," which reduces temperature set point by specified number of degrees within 0-99 minutes after room becomes unoccupied (once room occupancy is detected again, temperature set point shall be restored); and "Long Vacancy," which reduces temperature set point by specified temperature after room has been unoccupied for 1-12 hours. Occupancy sensing range shall be approximately 30 feet, with a beam width within 152 degrees.

## FEATURES AND BENEFITS

- Occupancy detection allows maximum energy savings!
  - Short Vacancy: Reduce temperature set point by a few degrees minutes after room becomes unoccupied, and instantly start saving energy. Once room occupancy is detected again, set point is restored to maintain desired comfort level.
  - Long Vacancy: Eliminate unnecessary energy consumption by dropping to set point after room has been unoccupied for a specified number of hours.
- Digital temperature sensing with accuracy of 0.3F (.015C) minimizes temperature swings for greater comfort.
- Use with 120/208/240V in-wall electric fan heaters, electric baseboards, or radiant heaters.
- 7-day programming with 4 time periods, includes convenient COPY option for daily settings to simplify setup.
- Easy push button override and hold options.
- Configurable maximum temperature set point limits: ideal for commercial applications.
- Backup memory stores program settings, and clock backup feature prevents clock resets during short power outages.
- Non-programmable mode: turns thermostat into an easy-to-use, non-programmable thermostat if desired.
- TRIAC control ensures silent operation.
- Large LCD Screen with backlight temperature display, time of day, and temperature control parameters. On-screen heating-strength-meter and fan activity indicator show heating equipment activity at all times.
- Two equipment modes allow selecting the right operation mode for controlling fans or baseboards, for optimum heater performance.
- Single Pole (2 wire)

### Carton Details

#### Product

DIMENSIONS | 5"W x 5"H x 1.25"D

#### Single Carton

DIMENSIONS | 5.5"W x 5.5"H x 2"D

#### Case

DIMENSIONS | 13.25"W x 12.75"H x 2.125"D

### UPC Code

Part#	Model#	Description	Wt./Lbs	Case Qty
027418	72836 4	V8-BB-7S Boxed Electronic Programmable Occupancy SP, 12.5A, 120V/208V/240V	1	24



Learn more about  
**The V8-BB-7S**  
 Scan It Now!



# The Smart-Base

Electronic Programmable Baseboard Thermostat

PHONE 360.693.2505  
 FAX 360.694.8668  
 WEB www.cadetco.com



**CADET**  
 SAFETY & QUALITY

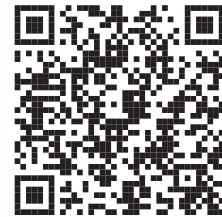


## FEATURES AND BENEFITS

- Save up to 28% on your heating bill
- 5-1-1 programmable thermostat with 4 daily programs
- Precise 2° comfort range with digital temperature sensing
- Convenient push-button control
- Digital display screen for easy viewing: actual room temperature, time, day
- Use with 208/240 Volt Cadet “F” Series electric baseboard heaters only
- Easy to install for new or replacement use



Learn more about  
**The Smart-Base**  
 Scan It Now!



### General Information:

Save up to 28% on your heating bill with the SMART-BASE™ electronic programmable thermostat, designed specifically for Cadet “F” Series electric baseboards. Digital temperature sensing provides a precise 2° comfort range, ensuring constant comfort. 5-1-1 programming allows you to create a heating schedule specific to your needs, for weekdays, Saturday, and Sunday. Convenient push button controls make this thermostat easy to program. The SMART-BASE™ Electronic thermostat can be installed on either end of standard Cadet 208/240 volt baseboards and is available only in double (4 wire) pole. Setpoint range: 41°F to 86°F (5°C to 30°C).

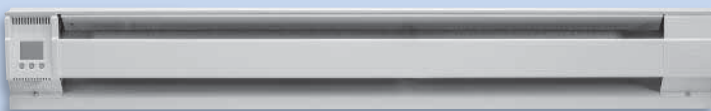
### Architectural Information:

The SMART-BASE™ electronic thermostat shall be UL listed. Designed to be an integral part of the Cadet “F” series baseboard. The control shall be capable of switching up to 12.6 amps, of a resistive load, at 240 or 208 VAC. No minimum load requirement. Control designed to meet power surges normally found in homes. Separate single pole double throw switch included in control for separation of branch circuit from control and heater. Control shall be digital with an LCD display. After programming, LCD display will show the actual room temperature, current time of day, day of week, mode, and current status of heater. Programming of microprocessor accomplished through the use of the three buttons on the control faceplate. Control shall have “Auto Mode” consisting of 5-1-1 programming, four events for Monday through Friday and four events each for Saturday and Sunday. Control shall have a “Manual Mode” for continuous 24-hour control of a single temperature set point. No batteries are required, as the program will be maintained in memory for approximately ten years without power. Only the time and day are required to be re-entered after a power outage.

The Smart-Base™

UPC Code

Part#	Model#	Description	Wt./Lbs	Case Qty
027418 03400 7	SBFT2W	Smart-Base Thermostat Kit Retail Pack DP, White, 12.6A	.75	6
027418 03405 2	SBFT2A	Smart-Base Thermostat Kit Retail Pack DP, Almond, 12.6A	.75	6



### Carton Details

#### Product

**DIMENSIONS** | 3.75”W x 6”H x 2.75”D

#### Single Retail Pack

**DIMENSIONS** | 6.75”W x 9.5”H x 2.75”D

#### Case

**DIMENSIONS** | 16”W x 7.25”H x 10.25”D

**PALLET QTY.** | 58 cases

**CUBE** | .69



# T4398 Series

## Performance Thermostat

PHONE 360.693.2505  
FAX 360.694.8668  
WEB www.cadetco.com



### FEATURES AND BENEFITS

- Vapor-filled dual diaphragm temperature control tightens the comfort range with more accuracy
- Industrial grade Micro Switch™ extends life
- Color-coded wires assure easy installation
- Replaces most wall-mounted line voltage thermostats
- Recommended for baseboard and in-wall fan heaters
- Cover lock and temperature range stops (included) govern min/max temperature setting
- Can save up to 12% on your heating bill
- Temperature range 50°F to 80°F (10°C to 30°C)
- 2°F (1°C) mechanical differential

### Better Choice Dual Diaphragm

#### General Information:

The T4398 performance thermostats use vapor-filled dual diaphragm temperature control, which tightens the comfort range with more accuracy, and can save up to 12% on your heating bill. These models include an industrial grade Micro Switch™ with extended life, and can replace most wall-mount line voltage thermostats. The T4398 model thermostats are recommended for baseboard and in-wall fan heaters, and are available in single (2 wire) or double (4 wire) pole.

#### Architectural Information:

Thermostat shall be UL and CSA listed and be rated at 22 amps (240/208/120 VAC) and 19 amps (277 VAC). The device shall be vented at top and bottom. Thermostat shall have a vapor-filled dual sensing diaphragm and snap action switch. Thermostat shall be factory sealed and calibrated. The cover shall be white and made of polystyrene material with two mounting screws provided.

#### Ordering Information:

- Available in white.
- Minimum order quantity 10 thermostats.
- Small parcel shipments not available: truck or LTL only

#### Carton Details

##### Product

DIMENSIONS | 2.875"W x 4.375"H x 1.5"D

##### Single Carton

WHOLESALE | 2.9"W x 4.75"H x 3.25"D

##### Case

WHOLESALE | 18.25"W x 15.25"H x 9.75"D

— UPC Code —

Part#	Model#	Description	Wt./Lbs	Case Qty
027418 72811 1	T4398A	Wholesale Boxed Dual Diaphragm Single Pole 22A	.4	50
027418 72812 8	T4398B	Wholesale Boxed Dual Diaphragm Double Pole 22A	.4	50



Learn more about  
The T4398  
Scan It Now!



# T410 Series

Economical Choice

PHONE 360.693.2505  
 FAX 360.694.8668  
 WEB www.cadetco.com



**CADET**<sup>®</sup>  
 SAFETY & QUALITY



Good Choice Bimetal

## FEATURES AND BENEFITS

- Snap Action bimetal temperature control
- Industrial grade Micro Switch™ with extended life
- Color-coded wires assure easy installation
- Replaces most wall-mount line voltage thermostats
- Cover lock and temperature range stops govern min/max temperature setting
- Recommended for all baseboard and in-wall fan heaters
- Temperature range 40°F to 80°F (4°C to 27°C)
- 3°F (2°C) differential



Learn more about  
**The T410**  
 Scan It Now!



### General Information:

The T410 bimetal thermostats are the most common and economical choice for wall mount, electric resistance heating. These thermostats use snap action bimetal temperature control and include an industrial grade Micro Switch™ with extended life. The T410 models can replace most wall-mount line voltage thermostats, are recommended for baseboard and in-wall fan heaters, and are available in single (2 wire) or double (4 wire) pole.

### Architectural Information:

Thermostat shall be UL and CSA listed and be rated at 22 amps (120/208/240 VAC) and 19 amps (277 VAC). The device shall be vented at top and bottom. Thermostat shall have bimetal sensor with snap action switching. Thermostat shall be factory sealed and calibrated. The cover shall be white, taupe, or almond and made of polystyrene material with two mounting screws provided.

**Ordering Information:** Available in white, taupe, or almond.

T410

UPC Code

Part#	Model#	Description	Wt./Lbs	Case Qty
027418 08121	6 T410A	Retail Pack Bimetal Single Pole 22A, White	.6	6
027418 08122	3 T410B	Retail Pack Bimetal Double Pole 22A, White	.6	6
027418 72801	2 T410A	Wholesale Boxed Bimetal Single Pole 22A, White	.5	50
027418 72802	9 T410B	Wholesale Boxed Bimetal Double Pole 22A, White	.5	50
027418 72821	0 T410A	Wholesale Boxed Bimetal Single Pole 22A, Taupe	.5	50
027418 72822	7 T410B	Wholesale Boxed Bimetal Double Pole 22A, Taupe	.5	50
027418 72830	2 T410A	Wholesale Boxed Bimetal Single Pole 22A, Almond	.5	50
027418 72831	9 T410B	Wholesale Boxed Bimetal Double Pole 22A, Almond	.5	50

### Carton Details

#### Product

**DIMENSIONS** | 2.75"W x 4.5"H x 1.125"D

#### Single Carton

**WHOLESALE BOX** | 4.75"W x 2.9"H x 3.25"D

**RETAIL PACK** | 6.63"W x 9.0"H x 3.25"D

#### Case

**WHOLESALE** | 15"W x 10"H x 18"D

**RETAIL** | 7"W x 10"H x 18"D

# M600 Series

Economical Choice

PHONE 360.693.2505  
 FAX 360.694.8668  
 WEB www.cadetco.com



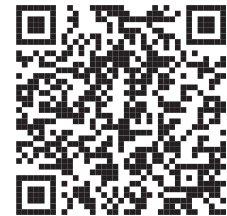
Good Choice Bimetal

## FEATURES AND BENEFITS

- Snap Action bimetal temperature control
- Reliable bimetal temperature sensing
- Color-coded wires assure easy installation
- Replaces most wall-mount line voltage thermostats
- Recommended for all baseboard and in-wall fan heaters
- Temperature range 45°F to 75°F (4°C to 25°C)
- 3°F (2°C) differential



Learn more about  
**The M600**  
 Scan It Now!



### General Information:

The M600 bimetal thermostats are the most common and economical choice for wall mount, electric resistance heating. These thermostats use snap action bimetal temperature control and include reliable bimetal temperature sensing. The M600 models can replace most wall-mount line voltage thermostats, are recommended for baseboard and in-wall fan heaters, and are available in single (2 wire) or double (4 wire) pole.

### Architectural Information:

Thermostat shall be UL and CSA listed and be rated at 22 amps (120/208/240 VAC) and 18 amps (277 VAC). The device shall be vented at top and bottom. Thermostat shall have bimetal sensor with snap action switching. Thermostat shall be factory sealed and calibrated. The cover shall be white or almond and made of polystyrene material with two mounting screws provided.

**Ordering Information:** Available in white or almond.

### Carton Details

#### Product

**DIMENSIONS** | 2.875"W x 4.75"H x 2.5"D

#### Single Carton

**DIMENSIONS** | 3.25"W x 5"H x 2.875"D

#### Case

**DIMENSIONS** | 16"W x 6"H x 15"D

— UPC Code —

Part#	Model#	Description	Wt./Lbs	Case Qty
027418 43340 4	M601W	Wholesale Boxed, Bimetal, Single Pole, 22A, White	.65	25
027418 43300 8	M601A	Wholesale Boxed, Bimetal, Single Pole, 22A, Almond	.65	25
027418 43350 3	M602W	Wholesale Boxed, Bimetal, Double Pole, 22A, White	.7	25
027418 43310 7	M602A	Wholesale Boxed, Bimetal, Double Pole, 22A, Almond	.7	25
027418 43321 2	M611W	Wholesale Boxed, Anticipated Bimetal, Single Pole, White	.65	25
027418 43321 3	M611A	Wholesale Boxed, Anticipated Bimetal, Single Pole, Almond	.65	25
027418 43332 9	M612W	Wholesale Boxed, Anticipated Bimetal, Double Pole, White	.7	25
027418 43322 0	M612A	Wholesale Boxed, Anticipated Bimetal, Double Pole, Almond	.7	25

M600

# Bimetal and Specialty Thermostats

PHONE 360.693.2505  
 FAX 360.694.8668  
 WEB www.cadetco.com



**CADET**  
 SAFETY & QUALITY

## C600 Series: Specialty Line Voltage Bimetal Thermostat



C611-25

C612-25

**General Information:**

This line of thermostats meet comfort needs, while optimizing economy and energy efficiency. The C611 anticipated thermostat controls temperature equal to or better than a typical low voltage thermostat. The increased bimetal thickness in the C600 Series prevents damage and gives improved thermal differential performance. The cover design allows ventilation on all sides to enhance sensitivity to room temperature changes.

**Ordering Information:**

These thermostats feature fast, efficient, snap-action switching and an optional heat anticipator, which assures closer and more balanced temperature regulation. Standard color is ivory.

— UPC Code —

Part#	Model#	Description	Wt./Ea/Lbs	Case Qty
027418 43380 0	C600M	2 Stage, 22 Amp/Stage	.69	25
027418 43382 4	C600S	2 Circuit, 22 Amp/Circuit	.69	25
027418 43384 8	C600C	Cooling or Heating, Line Voltage, 22 Amp, (55°F - 85°F)	.59	25
027418 43392 3	C612TP	Double Pole, 22 Amp, Tamper Proof, Anticipated	.69	25
027418 43390 9	C611-25	Single Pole, 25 Amp, Anticipated	.69	25
027418 43396 1	C612-25	Double Pole, 25 Amp, Anticipated	.69	25



Learn about The C600 Series  
**Scan It Now!**

## Low Voltage Controls: Thermostat & Relays



T87K1007

**Ordering Information:**

When the heater load is greater than 3,500 watts, a low voltage thermostat with relay is recommended for tighter temperature control. A relay is required and is available for loads up to 5KW and 10KW.

— UPC Code —

Part#	Model#	Description	Wt./Ea/Lbs	Case Qty
027418 73031 2	R841C1227	1 Circuit Relay 240V, 5KW	1.17	10
027418 73032 9	R841E1068	2 Circuit Relay 240V, 10KW	2.37	12
027418 72823 4	T87K1007	The Round® Low Voltage Stat Heat Only 24V, White	.40	12



Learn about The Round  
**Scan It Now!**

## The Freeze Buster: Freeze Protection



FB3

**Ordering Information:**

Plugs in for freeze protection. Controls up to 1800 watts @ 120 volts. Available in ivory.

— UPC Code —

Part#	Model#	Description	Wt./Ea/Lbs	Case Qty
027418 43084 7	FB3	In-line limiting thermostat, Range 35°F - 45°F	.16	12

# Adapters

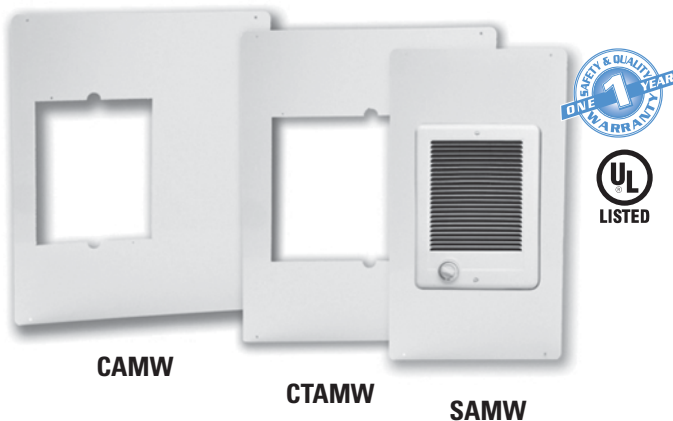
Cost-effective alternatives

PHONE 360.693.2505  
 FAX 360.694.8668  
 WEB www.cadetco.com



**CADET**  
 SAFETY & QUALITY

## Metal Adapter Plates



## FEATURES AND BENEFITS

- Easily replace outdated electric wall heaters
- Cost-effective
- Powder coated metal
- Can be painted to match room décor
- Time-saving / no wall repair

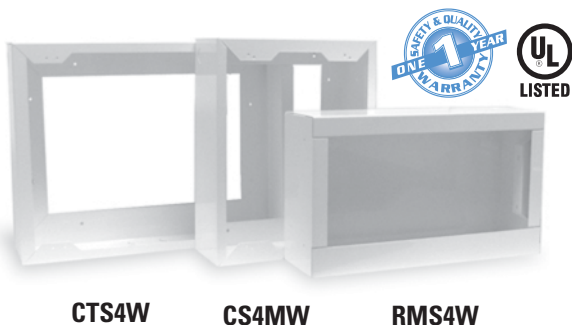
### General Information:

A cost-effective alternative to remodeling. Adapter plates allow replacement of older or obsolete electric wall heaters without the added expense of remodeling. Installation is quick and easy. Metal adapter plates can easily be painted with an acrylic latex paint to match your room décor.

— UPC Code —

Part#	Model#	Description	Wt./Lbs
027418	67100	4 CAMA 18.5" x 22" Metal Adapter Plate C/CS Series, Almond	3.5
027418	67105	9 CAMW 18.5" x 22" Metal Adapter Plate C/CS Series, White	3.5
027418	67110	3 SAMA 12" x 21.25" Metal Adapter Plate C/CS Series, Almond	2
027418	67115	8 SAMW 12" x 21.25" Metal Adapter Plate C/CS Series, White	2
027418	68070	9 CTAMA 18.5" x 22" Metal Adapter Plate CT/CST Series, Almond	3
027418	68075	4 CTAMW 18.5" x 22" Metal Adapter Plate CT/CST Series, White	3

## Surface Mount Adapters



### General Information:

Metal surface mount adapters provide a quick and easy solution to install in-wall fan heaters on surfaces unsuitable for traditional recessed installation. Recessed wall cans for each model are required to work with surface adapters.

— UPC Code —

Part#	Model#	Description	Wt./Lbs
027418	06390	8 CS4MA 4" Surface Mount Metal Adapter C/CS Series, Almond	3.5
027418	06395	3 CS4MW 4" Surface Mount Metal Adapter C/CS Series, White	3.5
027418	69100	2 CTS4A 4" Surface Mount Metal Adapter CT/CST Series, Almond	6
027418	69104	0 CTS4W 4" Surface Mount Metal Adapter CT/CST Series, White	6
027418	63118	3 RMS4W 4" Surface Mount Metal Adapter RM Series, White	6

## Adapter Kits

### General Information:

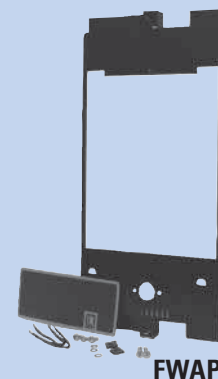
Adapter kits are designed to convert outdated Cadet FW and TS series heaters to the current C/CS (page 13) and UC Series (page 19) heaters. See The Com-Pak Plus and The Perfectoe pages to order heaters.

— UPC Code —

Part#	Model#	Description	Wt./Lbs
027418	67088	5 FWAP Converts FW Series to C/CS Series	1
027418	66086	2 UCAB Adapter Kit for TS Series, Black	.45



UCAB



FWAP





## Cadet Manufacturing Warranty Information

### Warranty Information

**Maintenance:** For more effective and safer operation and to prolong the life of the heater, read the Owner's Guide and follow the maintenance instructions included with each heater. Failure to properly maintain the heater will void any warranty and may cause the heater to function improperly. Warranties are non transferable and apply to original consumer only. Warranty terms are set out below.

#### All Cadet Products

**LIMITED ONE-YEAR WARRANTY:** Cadet will repair or replace any Cadet product, including non-electronic wall thermostats, found to be defective within one year after the date of purchase.

#### All Cadet Parts

**LIMITED 90-DAY WARRANTY:** Cadet will repair or replace any Cadet part found to be defective within 90 days from the date of purchase. This warranty only applies to parts purchased or installed after the expiration of any other applicable warranty period.

#### Extended Product Warranties

##### Electronic Wall Thermostats

**LIMITED ONE-YEAR WARRANTY:** Cadet will repair or replace any electronic wall thermostat found to be defective or malfunctioning within one year after the date of purchase.

##### Models C, CS, CT, CST, UC, SL, NLW and RBF

**LIMITED TWO-YEAR WARRANTY:** Cadet will repair or replace any Com-Pak Plus (C, CS), Com-Pak Twin Plus (CT, CST), Perfectoe (UC), SL, NLW, or RBF series heater found to be defective within two years after the date of purchase.

##### Models CM and CB

**LIMITED THREE-YEAR WARRANTY:** Cadet will repair or replace any Com-Pak Max (CM), or Com-Pak Bath (CB) series heater found to be defective or malfunctioning from first date of purchase through the third year.

##### Models RM, CEH and RCP

**LIMITED FIVE-YEAR WARRANTY:** Cadet will repair or replace any Cadet Register Plus (RM), Cadet Unit Heater (CEH), or 240 Volt Portable Unit Heater (RCP) heater found to be defective within five years after the date of purchase.

##### Softhead® EBHN Series Baseboard

**LIMITED SEVEN-YEAR WARRANTY:** Cadet will repair or replace any Cadet/Softhead baseboard (EBHN) element found to be defective within seven years after the date of purchase.

##### Model F-Series Baseboard

**LIMITED LIFETIME WARRANTY:** Cadet will repair or replace any Cadet baseboard (F) element found to be defective at any time.

#### THESE WARRANTIES DO NOT APPLY:

1. Damage occurs to the product through improper installation or incorrect supply voltage;
2. Damage occurs to the product through improper maintenance, misuse, abuse, accident, or alteration;
3. The product is serviced by anyone other than Cadet;
4. Refurbished products;
5. If the date of manufacture of the product cannot be determined;
6. If the product is damaged during shipping through no fault of Cadet.
7. CADET'S WARRANTY IS LIMITED TO REPAIR OR REPLACEMENT AS SET OUT HEREIN. CADET SHALL NOT BE LIABLE FOR DAMAGES SUCH AS PROPERTY DAMAGE OR FOR CONSEQUENTIAL DAMAGES AND/OR INCIDENTAL EXPENSES RESULTING FROM BREACH OF THESE WRITTEN WARRANTIES OR ANY EXPRESS OR IMPLIED WARRANTY.
8. IN THE EVENT CADET ELECTS TO REPLACE ANY PART OF YOUR CADET PRODUCT, THE REPLACEMENT PARTS ARE SUBJECT TO THE SAME WARRANTIES AS THE PRODUCT. THE INSTALLATION OF REPLACEMENT PARTS DOES NOT MODIFY OR EXTEND THE UNDERLYING WARRANTIES. REPLACEMENT OR REPAIR OF ANY CADET PRODUCT OR PART DOES NOT CREATE ANY NEW WARRANTIES.
9. These warranties give you specific legal rights, and you may also have other rights which vary from state to state. Cadet neither assumes, nor authorizes anyone to assume for it, any other obligation or liability in connection with its products other than as set out herein.

**If you believe your Cadet product is defective, please contact Cadet Manufacturing Co. at 360-693-2505, during the warranty period, for instructions on how to have the repair or replacement processed. Warranty claims made after the warranty period has expired will be denied. Products returned without authorization will be refused.**

# EDI Electronic Data Interchange & Conditions of Sale



## EDI (Electronic Data Interchange) Information

Cadet Manufacturing Co. utilizes EDI to exchange information, making it easier to do business. Information exchanged includes incoming Purchase Orders, Invoices, Advance Ship Notices and Text Messages.

### EDI Standards

Cadet supports ANSI X. 12 (Versions 3010-4060)

### EDI Transaction Sets

The following transaction sets are currently used by Cadet:

- Incoming Purchase Orders (850)
- ASN (856)
- Invoices (810)
- Text Messages (864)

For every incoming Purchase Order received (850), Cadet sends a Functional Acknowledgement (997) to the customer.

### EDI Information

To begin implementing EDI, please contact by mail or phone:

- Cadet Manufacturing Co.
- EDI Administrator
- P.O. Box 1675
- Vancouver, WA 98668-1675
- Telephone: 360-693-2505

## Conditions of Sale

All orders subject to final acceptance by Cadet Manufacturing Co.'s main office, Vancouver, WA. Prices subject to change without notice. Prices in effect can be verified by contacting the Customer Service Department. See Page 46 for warranty information.

### Freight Terms

FOB Vancouver, WA. Freight prepaid on orders of \$1500.00 invoice net for shipments within the 48 contiguous states or to the port of embarkation. On freight prepaid orders, Cadet will choose the freight carrier. All orders using a carrier other than one of Cadet's preferred carriers are freight collect and freight shall be paid by the purchaser. Title of merchandise passes to the purchaser upon delivery to the transportation company.

### Claims

Title of merchandise passes to the purchaser upon delivery to the transportation company. All claims for shortage, damage, or non-delivery must be made by the purchaser with the delivering transportation company.

### Return Goods

Contact your Cadet Representative or Cadet Customer Service Dept. for a Return Material Authorization. Merchandise returned without Cadet's written authorization and RMA number will be refused. Restocking fees may be applicable per Cadet policy.

### Minimum Order

\$100.00 invoice net. **ALL SALES ON PARTS ARE FINAL.**

**NON-STOCK SPECIAL PRODUCTS:** Certain products not regularly carried in stock cannot be canceled after work has been started. Certain non-stock buyout items, such as specialty thermostats, cannot be canceled. The buyer assumes full responsibility for payment of these items.

**Cadet Manufacturing Co.**

**360.693.2505 [www.cadetco.com](http://www.cadetco.com)**

P.O. Box 1675 • Vancouver, WA 98668-1675 • FAX 360.694.8668 • HOURS: M-TH 8:00 am - 5:00 pm; F 8:00 am - 3:00 pm; Pacific Time



# Safe, Quality Solutions

**Cadet is committed to safe, quality heating solutions. Every heater is factory tested prior to being shipped and comes equipped with industry leading safety components to ensure safety and peace of mind.**

**Cadet employs sustainable business practices throughout our facility and product life cycle.**

## **Cadet Manufacturing**

2500 W. Fourth Plain Blvd Vancouver, WA 98660

Phone: 360-693-2505 Fax: 360-694-8668

[www.cadetco.com](http://www.cadetco.com)

Printed in U.S.A. 10/11 #070508  
©2011 Cadet Manufacturing Co.

♻️ PRINTED ON RECYCLED PAPER

 earth<sup>®</sup>  
advantage