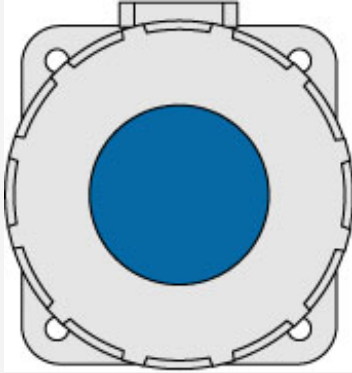


432R3W



Watertight IEC 309 Pin and Sleeve Receptacle.

Product Specifications

Pin and Sleeve Style	Watertight.
Rating Type	International.
Amperage	32A
Poles and Wires	3 Pole, 4 Wire.
Voltage	380V AC-50Hz, 440V AC-60Hz
Device Type	Receptacle.
Color	Red.
Housing	Toughened Nylon.
Cover Arm	Toughened Nylon.
Cover Ring	Polycarbonate.
Cover Spring	Stainless Steel.
Seals/Gaskets	Neoprene., EPDM, TPE.
Contact Carrier	Glass reinforced Nylon.
Terminal Cover	Toughened Nylon.
Phase/Ground Sleeves	Brass.
Sleeve Spring	Nickel Plated Spring Steel.
Hinge Pin	Brass.
Mounting Screws	Stainless Steel.
Terminal Screws	Plated Steel.
Assembly Screws	Plated Steel.
Dielectric Voltage Withstand	3,000 Volts- Receptacle. and Inlet.
Max Working Voltage	600V AC

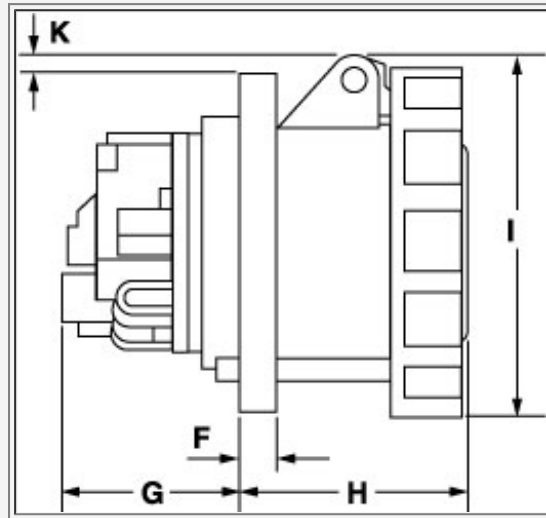
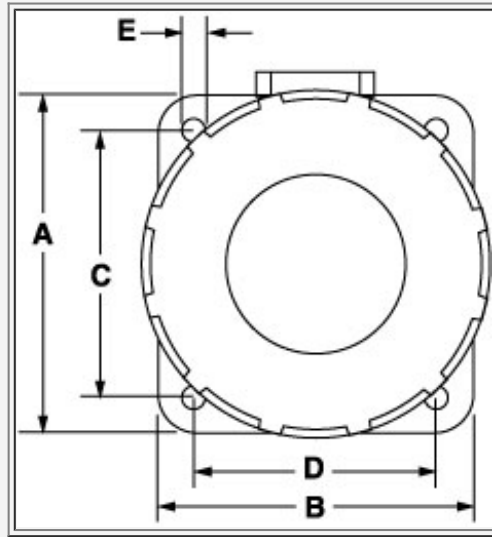
Spacings	1/4" Minimum creepage and clearance per UL 1682.
Current Interrupting	Certified for current interrupting at full rated current where applicable per UL 1682.
Temperature Rise	Less than 30 deg. C temperature rise at full rated current after 50 cycles of overload tested at 150% of rated current a .75 PF.
Endurance	Up to 5,000 connect and disconnect cycles at full rated current and voltage per UL 1682.
Mechanical Crush Test	250 lbs. Force for 1 minute after 6 hours at -25 deg. C.
Terminal Identification	Terminals identified in accordance with IEC309.
Product Identification	Catalog number and rating indicated on product.
Moisture Resistance	Submerged 24 hours at 2" below water surface.
Flammability (Enclosure)	V2 minimum per UL 94.
Operating Temperature	Maximum Continuous 95 deg. C with impact, minimum continuous -40 deg. C without impact.
Moisture Protection	IP67
Polarization Integrity	Mating devices will not energize ground if polarization feature is removed and 40 lbs. Force is applied.
UL Listing	Meets UL 1682 and 1686 requirements.
CSA Listing	CSA certified C22.2 No. 182-1 - 1988.
IEC	Complies with IEC 309-1 and 309-2 International Standards for singly-rated non-interchangeable configurations.
Conforms to:	Conforms to UL 1686 (pin & sleeve configurations).
Dimension A- in (mm)	2.93" (75)
Dimension B- in (mm)	2.93" (75)
Dimension C- in (mm)	2.34" (60)
Dimension D- in (mm)	2.34" (60)
Dimension E- in (mm)	.22" (5.5)
Dimension F- in (mm)	.31" (8)
Dimension G- in (mm)	1.40" (36)
Dimension H- in (mm)	2.54" (65)
Dimension I- in (mm)	3.90" (100)
Dimension J- in (mm)	2.34" (60)

Dimension K- in (mm)

.47" (12)

Catalog Page

[Click here for catalog page](#)



BRYANT®