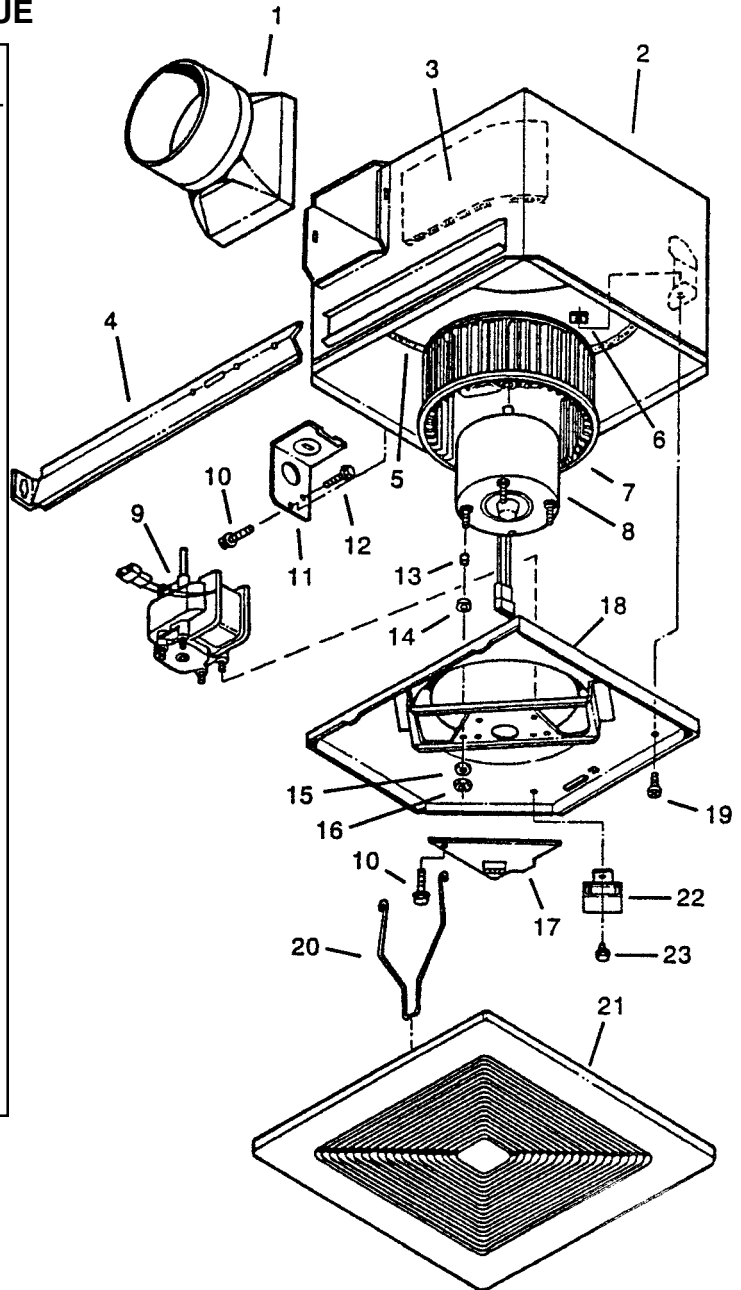


SERVICE PARTS

MODELS S50U, S80U, S80UE, S110U & S110UE

KEY NO.	PART NO.	DESCRIPTION
1	97013349	Damper/Duct Connector Assembly
2	97013400	Housing Assembly
3	99500389	Insulation — Short
4	98003036	Mounting Bracket (4 Req.)
5	99500388	Insulation — Long
6	93260454	Sheet Metal Nut #8-18*
7	99020270	Impeller — S50U, S80U
	99020269	Impeller — S80UE, S110U, S110UE
8	99080454	Motor — S80UE
	99080450	Motor — S110U
	99080455	Motor — S110UE
9	99080446	Motor — S50U
	99080448	Motor — S80U
10	99170245	Screw #8-18 x .375 (2 Req.)*
11	98008868	Knockout Panel
12	99150471	Ground Screw #10-32 x .500*
13	99710033	Spacer (4 Req.)
14	99100483	Grommet (4 Req.)
15	99250254	Washer #8 (4 Req.)*
16	99260425	Nut #8-32 (4 Req.)*
17	97013561	Wire Box Cover Assembly
18	97013401	Venturi Plate Assembly
19	93150459	Screw #8-18 x .500*
20	93140190	Grille Spring (2 Req.)
21	97013402	Grille Assembly (Includes Key No. 20)
22	97013804	Capacitor — S80UE, S110UE
23	99150415	Screw #8-18 x .250*
--	97013562	Blower Assembly — S50U (Includes Key Nos. 7, 9, 13, 14, 15, 16, & 18)
--	97013569	Blower Assembly — S80U (Includes Key Nos. 7, 9, 13, 14, 15, 16 & 18)
--	97013564	Blower Assembly — S80UE (Includes Key Nos. 7, 8, 13, 14, 15, 16, 18, 22 & 23)
--	97013570	Blower Assembly — S110U (Includes Key Nos. 7, 8, 13, 14, 15, 16 & 18)
--	97013571	Blower Assembly — S110UE (Includes Key Nos. 7, 8, 13, 14, 15, 16, 18, 22 & 23)



* Standard Hardware. May be purchased locally.
Order service parts by "PART NO." — NOT by "KEY NO."

BROAN ONE YEAR LIMITED WARRANTY

Broan warrants to the original consumer purchaser of its products that such products will be free from defects in materials or workmanship for a period of one year from the date of original purchase. THERE ARE NO OTHER WARRANTIES, EXPRESS OR IMPLIED, INCLUDING, BUT NOT LIMITED TO, IMPLIED WARRANTIES OF MERCHANTABILITY OR FITNESS FOR A PARTICULAR PURPOSE.

During this one-year period, Broan will, at its option, repair or replace, without charge, any product or part which is found to be defective under normal use and service.

THIS WARRANTY DOES NOT EXTEND TO FLUORESCENT LAMP STARTERS AND TUBES. This warranty does not cover (a) normal maintenance and service or (b) any products or parts which have been subject to misuse, negligence, accident, improper maintenance or repair (other than by Broan), faulty installation or installation contrary to recommended installation instructions.

The duration of an implied warranty is limited to the one-year period as specified for the express warranty. Some states do not allow limitation on how long an implied warranty lasts, so the above limitation may not apply to you.

BROAN'S OBLIGATION TO REPAIR OR REPLACE, AT BROAN'S OPTION, SHALL BE THE PURCHASER'S SOLE AND EXCLUSIVE REMEDY UNDER THIS WARRANTY. BROAN SHALL NOT BE LIABLE FOR INCIDENTAL, CONSEQUENTIAL OR SPECIAL DAMAGES ARISING OUT OF OR IN CONNECTION WITH PRODUCT USE OR PERFORMANCE. Some states do not allow the exclusion or limitation of incidental or consequential damages, so the above limitation may not apply to you.

This warranty gives you specific legal rights, and you may also have other rights, which vary from state to state. This warranty supersedes all prior warranties.

To qualify for warranty service, you must (a) notify Broan at the address stated below or telephone: 1-800-637-1453, (b) give the model number and part identification and (c) describe the nature of any defect in the product or part. At the time of requesting warranty service, you must present evidence of the original purchase date.

Broan-NuTone LLC, 926 West State Street, Hartford, WI 53027