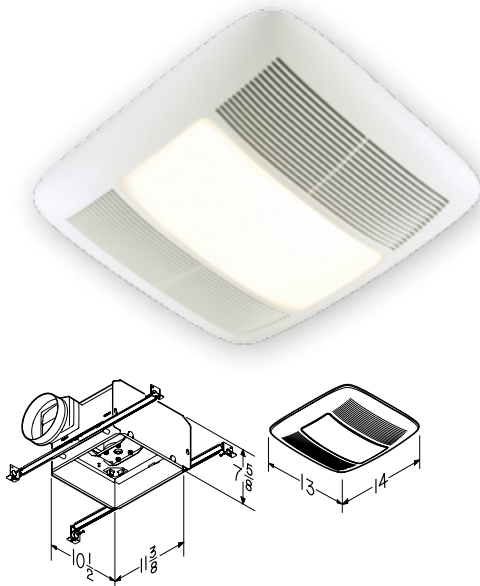


NuTone QT Series™ Fan/Lights. The QT Series is the ultimate bath fan solution for today's homes. Select a QT Series fan/light to bring simple elegance to any bath or powder room. By sight or by sound, you'll barely notice a QT Series fan. Except, of course, when you need just the right amount of ventilation and light at the touch of a switch.

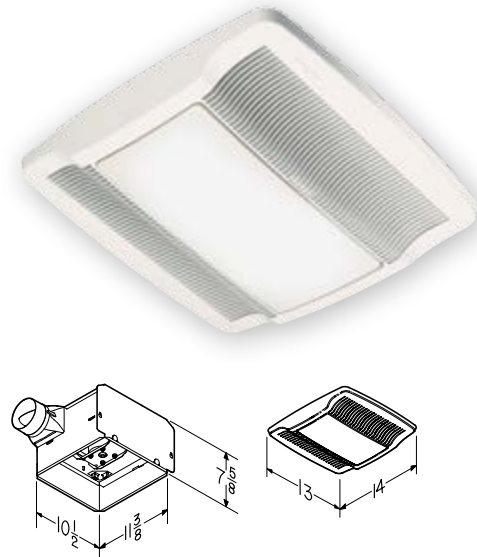
QTXEN, QTREN and QTRN Fan/Light Features

- Nearly silent operation 0.3 to 1.4 sones
- 80 CFM to 150 CFM
- QTXEN models feature 6" ducting for superior performance
- QTREN and QTRN models feature 4" ducting
- QTXEN and QTREN models are ENERGY STAR® qualified
- Bright, energy efficient 36-watt fluorescent lighting (2-18 watt GU24 based bulbs) included with non-sensing QTXEN and QTREN models**
- 100-watt lighting from an incandescent bulb on QTRN models
- 4-watt night light on all models
- QTXEN, QTREN and Housing Packs include hanger bar system for fast and flexible installation for all types of construction
- UL Listed for use over tub or shower when installed in a GFCI protected branch circuit
- HVI Certified
- Motor engineered for continuous operation
- Type IC
- Fits 2" x 8" ceiling construction

QTXEN Models



QTREN & QTRN Models



Model	CFM	Sones	Light/ Night Light	ENERGY STAR®	Ducting▲
QTXEN080FLT	80	0.3	36W♦ / 4W	Yes	6"
QTXEN110FLT	110	0.7	36W♦ / 4W	Yes	6"
QTXEN150FLT	150	1.4	36W♦ / 4W	Yes	6"
QTREN080FLT	80	0.8	36W♦ / 4W	Yes	4"
QTREN110FLT	110	1.3	36W♦ / 4W	Yes	4"
QTRN080L	80	1.0	100W■ / 4W	—	4"
QTRN110L	110	1.5	100W■ / 4W	—	4"

New styling and improved lighting make NuTone's QT fan lights even better.

- Light output has been significantly increased, while using 14 fewer watts.
- Lighting design enhancements provide a brighter, broader flood-light effect.
- Improved light diffusion hides hotspots/bulbs.
- Convenient GU24 bulbs are readily available.
- A restyled, low-profile grille on QTXE models blends with any decor.
- Design and lighting improvements were made without increasing sound levels.



ENERGY STAR® fans use 65% less energy, on average, than standard models and may qualify for local utility rebates. ▲ See page 45 for ducting product specifications.

■ Incandescent bulb.

♦ 2-18 watt GU24 based fluorescent bulbs included.

