

Single Meter Sockets - With MCC Bypass



Single Meter Sockets
With MCC Bypass

Single Meter Sockets, With MCC Bypass, 100 & 200 Amp 19 - 20

Single Meter Sockets - With MCC Bypass

100 & 200 Amp



U121314 (closed)



U121314 (open)

Application

- Manual circuit closing (link type) bypass under separate cover
- Receive ANSI C12.10 watt-hour meters
- Surface or flush mount (see chart)

Construction

- Ring type
- NEMA Type 3R
- ANSI 61 gray E-coat finish
- Aluminum snap ring included



Standards

- UL 414 Listed
- ANSI C12.7

Accessories

- AW Hubs

Single Meter Sockets
With MCC Bypass

Part/UPC Number	Catalog Number	Amp Rating	Jaws	Service Type	Access	Bypass	Line	Connections Load	Neutral
78205147060	U121314	100	4	1Ø/3W	OH/UG	MCC	#14 - 2/0	#14 - 2/0	#14 - 2/0
78205147062	U121314 F	100	4	1Ø/3W	OH/UG	MCC	#14 - 2/0	#14 - 2/0	#14 - 2/0
78205147070	U121315	100	5	3Ø/3W	OH/UG	MCC	#14 - 2/0	#14 - 2/0	#14 - 2/0
78205147072	U121315 F	100	5	3Ø/3W	OH/UG	MCC	#14 - 2/0	#14 - 2/0	#14 - 2/0
78205147080	U121317	100	7	3Ø/4W	OH/UG	MCC	#14 - 1/0	#14 - 2/0	#14 - 2/0
78205147082	U121317 F	100	7	3Ø/4W	OH/UG	MCC	#14 - 1/0	#14 - 2/0	#14 - 2/0
78205160000	U264	200	4	1Ø/3W	OH/UG	MCC	#6 - 250MCM	#6 - 250MCM	#6 - 250MCM
78205160060	U264 F	200	4	1Ø/3W	OH/UG	MCC	#6 - 250MCM	#6 - 250MCM	#6 - 250MCM
78205160020	U267	200	7	3Ø/4W	OH/UG	MCC	#6 - 250MCM	#6 - 250MCM	#6 - 250MCM
78205160080	U267 F	200	7	3Ø/4W	OH/UG	MCC	#6 - 250MCM	#6 - 250MCM	#6 - 250MCM

Part/UPC Number	Catalog Number	Overall Dimensions			Top Provision	Knockout Layout
		Height	Width	Depth		
78205147060	U121314	17"	9 ² / ₃ "	4 ⁵ / ₈ "	AW Hub	Fig. 1
78205147062	U121314 F	17"	9 ² / ₃ "	4 ⁵ / ₈ "	2" max KO	Fig. 1
78205147070	U121315	17"	9 ² / ₃ "	4 ⁵ / ₈ "	AW Hub	Fig. 1
78205147072	U121315 F	17"	9 ² / ₃ "	4 ⁵ / ₈ "	2" max KO	Fig. 1
78205147080	U121317	20"	9 ² / ₃ "	4 ⁵ / ₈ "	AW Hub	Fig. 1
78205147082	U121317 F	20"	9 ² / ₃ "	4 ⁵ / ₈ "	2" max KO	Fig. 1
78205160000	U264	23"	12"	4 ⁵ / ₈ "	AW Hub	Fig. 2
78205160060	U264 F	23"	12"	4 ⁵ / ₈ "	(2) 2" max KO	Fig. 2
78205160020	U267	23"	12"	4 ⁵ / ₈ "	AW Hub	Fig. 3
78205160080	U267 F	23"	12"	4 ⁵ / ₈ "	2 1/2" max KO	Fig. 3

AIC Note:
For short circuit current ratings see page 131.

Single Meter Sockets - With MCC Bypass

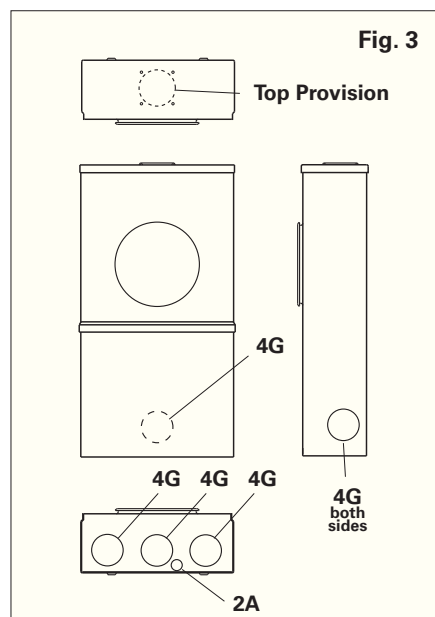
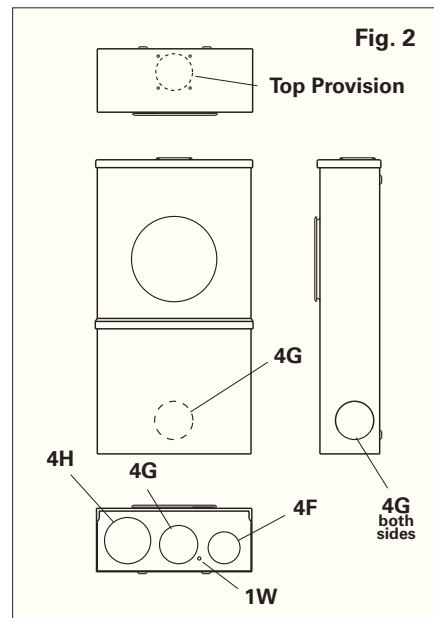
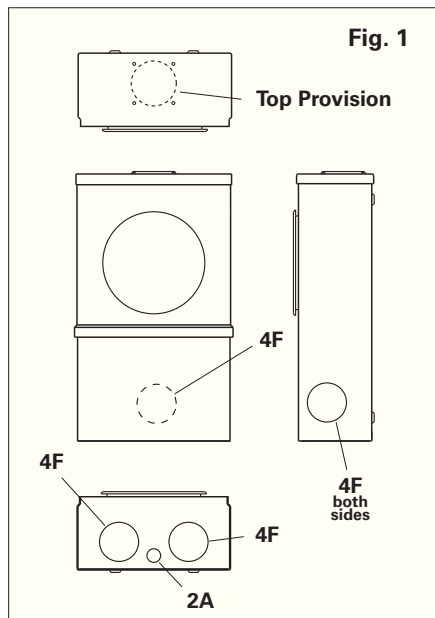
100 & 200 Amp

Style #	Suffixes
(U) 121314	F - Flush Mount
(U) 121315	MS20 - Ring Protector
(U) 121317	MS73 - All Screw Type Ring
(U) 264	SS - Stainless Steel
(U) 267	

Knockouts - Conduit Sizes

2A = 1/2" - 1/4"
 4F = 2" - 1 1/2" - 1 1/4" - 1"
 4G = 2 1/2" - 2" - 1 1/2" - 1 1/4"
 4H = 3" - 2 1/2" - 2" - 1 1/2"
 1W = 1/4"
 Top Provision = See Chart

Knockout Layouts



Single Meter Sockets
With MCC Bypass

Data subject to change without notice. Consult local utility for area acceptance. All dimensions are in inches.

Notes

Single Meter Sockets
With MCC Bypass