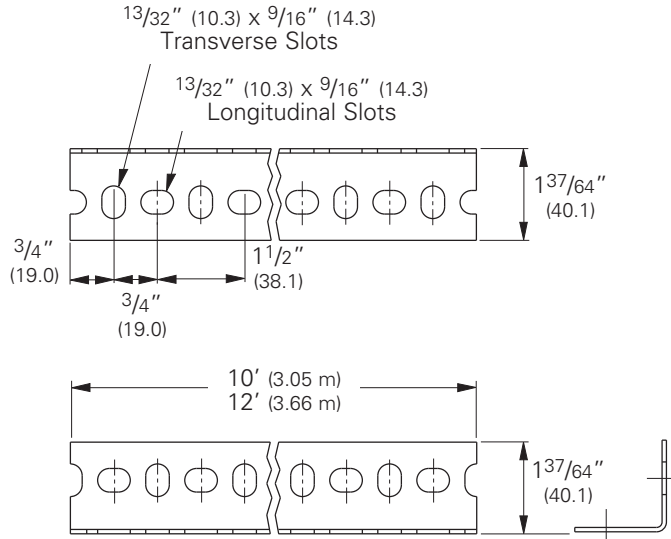
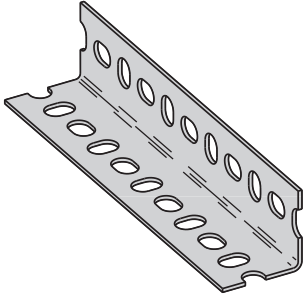


Slotted Angle Sizes

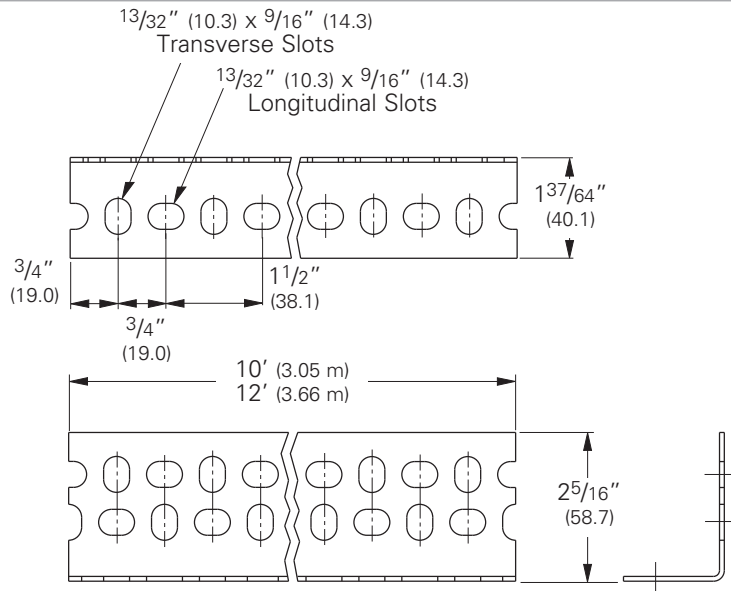
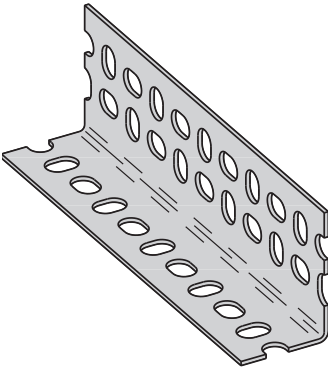
SA158

- 14 Gauge (1.9)
- $1\frac{5}{8}" \times 1\frac{5}{8}"$
- Standard finishes: ZN, GRN
- Wt./Ft. .66 Lbs. (.98 kg/m)



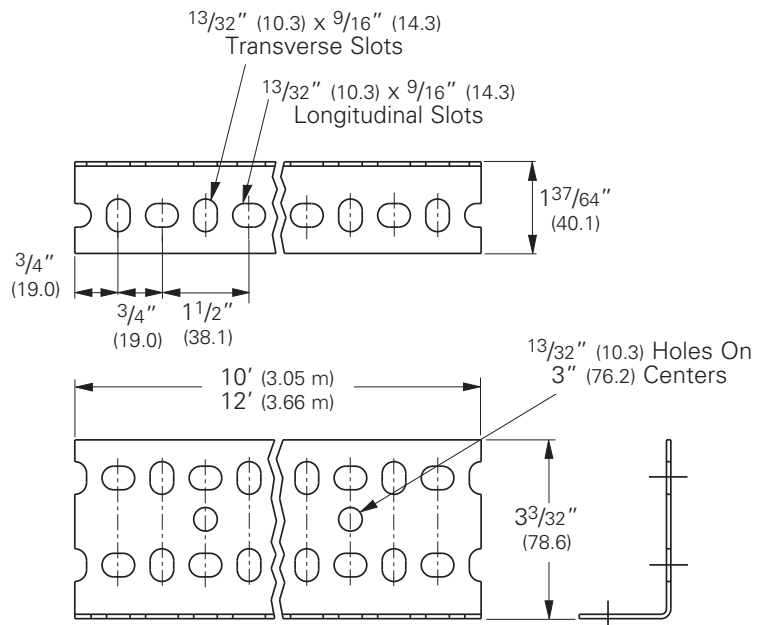
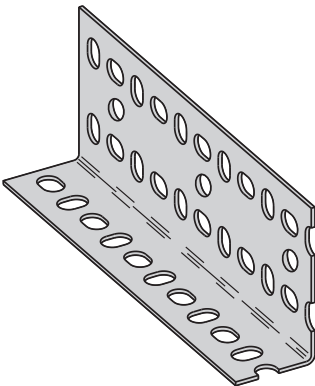
SA276

- 14 Gauge (1.9)
- $1\frac{5}{8}" \times 2\frac{3}{8}"$
- Standard finishes: ZN, GRN
- Wt./Ft. .78 Lbs. (1.17 kg/m)



SA318

- 12 Gauge (2.6)
- $1\frac{5}{8}" \times 3\frac{1}{8}"$
- Standard finishes: ZN, GRN
- Wt./Ft. 1.32 Lbs. (1.96 kg/m)



Reference page 223 for general fitting and standard finish specifications.