

Type 4X Fiberglass Enclosures

Fiberglass Accessories

Illustration Sheet and Catalog Number

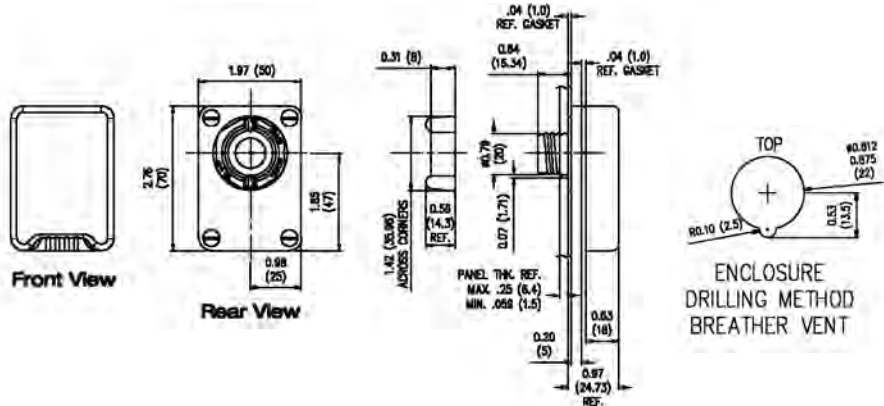
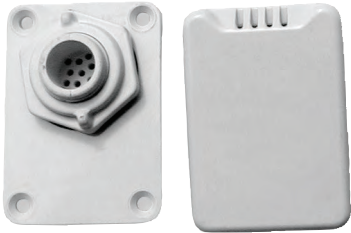
Discount Schedule: F2

Subclass: G00

Breather Vent

Enclosure Catalog #

BV4X

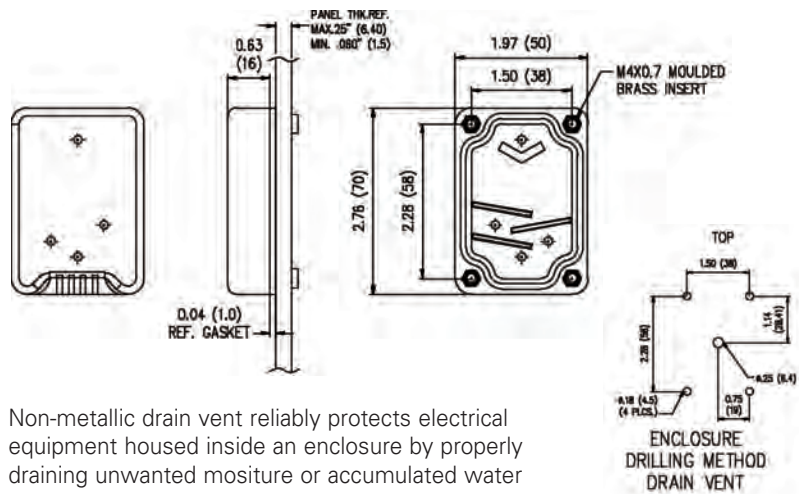


Non-metallic breather vent allows an enclosure to breathe, allowing the free passage of air while maintaining UL Type 4X enclosure integrity as a recognized component.

Drain Vent

Enclosure Catalog #

DV4X



Non-metallic drain vent reliably protects electrical equipment housed inside an enclosure by properly draining unwanted moisture or accumulated water from within, while maintaining UL Type 4X enclosure integrity as a recognized component.

Drain & Vent

Enclosure Catalog #

DV



Vapor Capsule

Enclosure Catalog #

BLVC



Vapor capsules contain a unique phase inhibitor designed to protect metallic surfaces within an enclosure against airborne corrosion. Simply place these self-contained capsules inside an enclosure, the vapors readily permeate every point, passivating all metallic surfaces. When the capsule is removed from its sealed package, it begins to emit an invisible, no-toxic vapor which is diffused throughout the surrounding atmosphere until the air is saturated. The vapor then passivates the metal surface against atmospheric corrosion by reducing the electrochemical activity of the metal surfaces.

Notes: Dimensions are in inches. Millimeters shown are for reference only. Data subject to change without notice.

Type 4X Fiberglass Enclosures

Fiberglass Accessories Illustration Sheet and Catalog Number

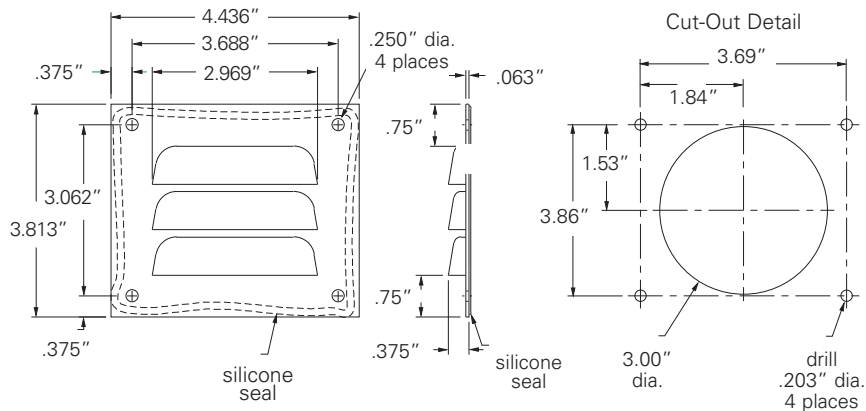
Discount Schedule: F2
Subclass: G00

Enclosure Catalog #	Application	Max. Hole		Hole Seal	
		in.	mm	in.	mm
SPBGFG	Minature oil-tight bushbutton holes	0.88	22	1.22	31
SPBFG	Standard oil-tight bushbutton holes	1.25	32	1.75	44
S050FG	1/2" conduit holes	0.88	22	1.38	35
S075FG	3/4" conduit holes	1.06	27	1.56	40
S100FG	1" conduit holes	1.38	35	1.88	48
S125FG	1 1/4" conduit holes	1.69	43	2.19	56
S150FG	1 1/2" conduit holes	2.00	51	2.50	64
S200FG	2" conduit holes	2.50	64	3.00	76
S250FG	2 1/2" conduit holes	3.00	76	3.50	89
S300FG	3" conduit holes	3.62	92	4.12	105
S350FG	3 1/2" conduit holes	4.12	105	4.62	117
S400FG	4" conduit holes	4.62	117	5.12	130



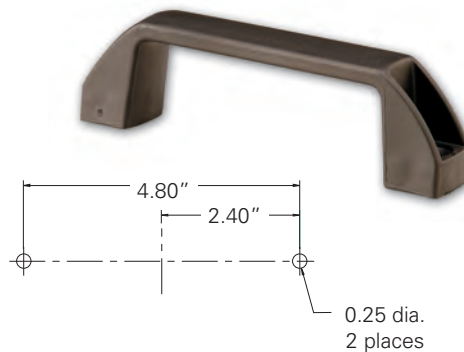
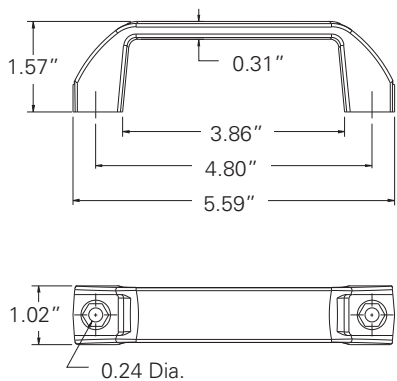
Oil-Tight Hole Seals

Helps protect knockout openings and extra pushbutton or conduit openings from dirt, oil, dust and water. Each hole seal has oil-resistant gasketing and lock nut.



Louver Plate Vent

Enclosure Catalog #
LPKF



Carrying Handle

Enclosure Catalog #
CARRY HANDLE



Notes: Dimensions are in inches. Millimeters shown are for reference only. Data subject to change without notice.

Type 4X Fiberglass Enclosures

Fiberglass Accessories

Illustration Sheet and Catalog Number

Discount Schedule: F2

Subclass: G00

Encapsulated Screws

Enclosure Catalog #

ENCAP2K

ENCAP4K



ENCAP2K



ENCAP4K

Stainless Steel Screws

Enclosure Catalog #	Description
---------------------	-------------

SS2PK	Set of 2
-------	----------

SS4PK	Set of 4
-------	----------



SS2PK



SS4PK

Mounting Feet

Enclosure Catalog #

MTGFTKITS



Notes: Dimensions are in inches. Millimeters shown are for reference only. Data subject to change without notice.