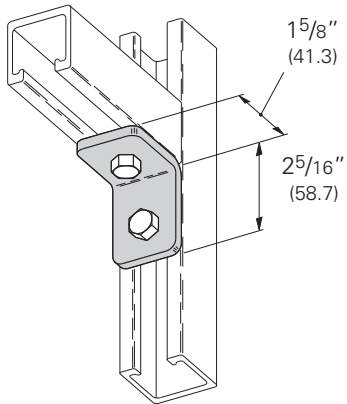


Fiberglass

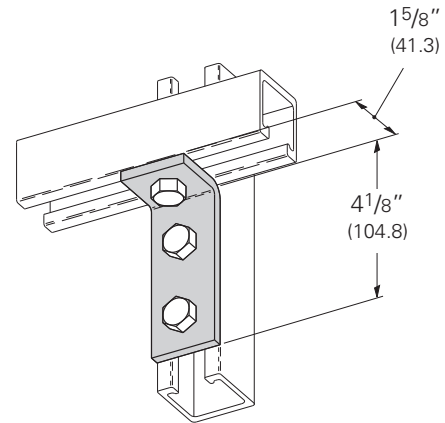
BFV101 Two Hole 90° Corner Angle

- Material: Injection Molded Glass Reinforced Polyurethane



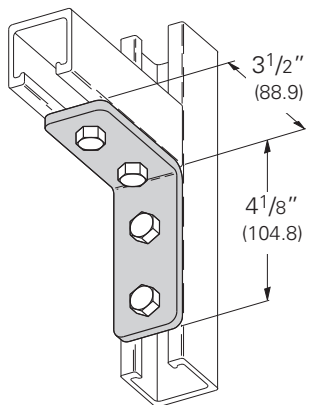
BFV103 Three Hole 90° Corner Angle

- Material: Injection Molded Glass Reinforced Polyurethane



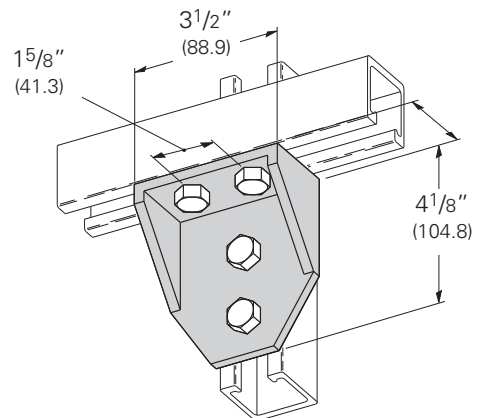
BFV104 Four Hole 90° Corner Angle

- Material: Injection Molded Glass Reinforced Polyurethane



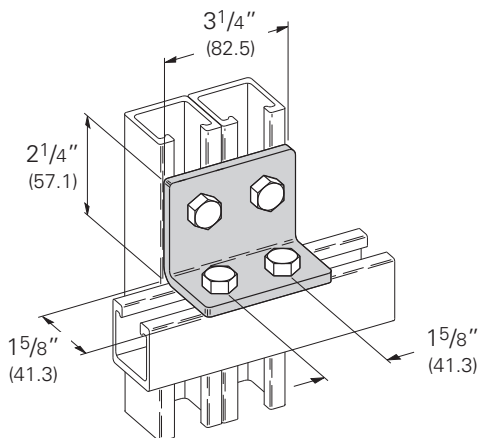
BFV118 Four Hole 90° Gussetted Shelf Angle

- Material: Injection Molded Glass Reinforced Polyurethane



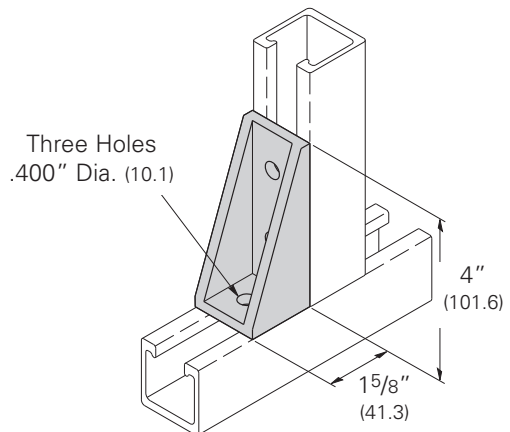
BFV558 Four Hole 90° Corner Angle

- Material: Injection Molded Glass Reinforced Polyurethane



BFV371-2G Three Hole 90° Gussetted Corner Angle

- Material: Injection Molded Glass Reinforced Polyurethane



Reference page 183 for general fitting specifications.