

B3690 - J-Hanger for Pipe or Conduit
B3690F - Felt Lined J-Hanger for Copper Tubing
B3690C - PVC Coated J-Hanger for Pipe or Conduit

Size Range: 1/2" (15mm) to 10" (250mm) pipe size

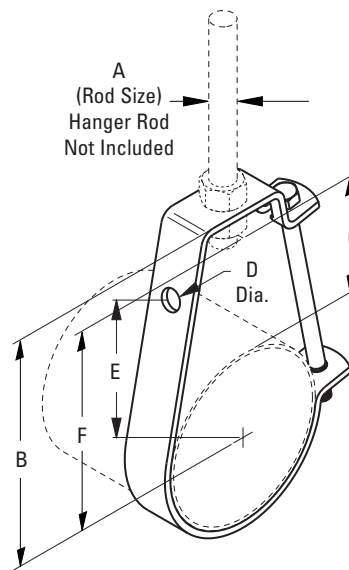
Material: Steel

Function: Recommended for the suspension of non-insulated pipe, or insulated pipe with B3151 shield. Side hole allows for wall mounting. B3690F and B3690C are designed to reduce noise and vibration and/or prevent electrolysis between pipe and hanger.

Approvals: Conforms Manufacturers Standardization Society ANSI/MSS SP-69 & SP-58, Type 5.

Standard Finish: Electro-Plated. Contact customer service for alternative finishes and materials.

Order By: Part number and finish.



B
Center of pipe to top of hanger.
F
Rod Take-Out
Center of pipe to bottom of hanger rod.



B3690F



B3690C



Part No.	Pipe O.D.		Rod Size		B		C		D		E		F		Design Load Lbs. (kN)	Approx. Wt./100 Lbs. (kg)	
	in.	(mm)	A	in.	(mm)	in.	(mm)	in.	(mm)	in.	(mm)	in.	(mm)				
B3690-1/2	1/2"	(15)	3/8"-16	25/8"	(66.7)	13/4"	(44.4)	7/16"	(11.1)	1 1/2"	(38.1)	115/16"	(49.2)	400	(1.78)	18	(8.1)
B3690-3/4	3/4"	(20)	3/8"-16	27/8"	(73.0)	17/8"	(47.6)	7/16"	(11.1)	1 11/16"	(42.9)	2 1/8"	(54.0)	400	(1.78)	21	(9.5)
B3690-1	1"	(25)	3/8"-16	2 15/16"	(74.6)	1 15/16"	(49.2)	7/16"	(11.1)	1 13/16"	(46.0)	2 5/16"	(58.7)	400	(1.78)	22	(10.0)
B3690-1 1/4	1 1/4"	(32)	3/8"-16	3 1/4"	(82.5)	2"	(50.8)	7/16"	(11.1)	2 1/16"	(52.4)	2 5/8"	(66.7)	400	(1.78)	25	(11.3)
B3690-1 1/2	1 1/2"	(40)	3/8"-16	3 9/16"	(90.5)	2 3/16"	(55.6)	7/16"	(11.1)	2 7/16"	(61.9)	2 7/8"	(73.0)	400	(1.78)	27	(12.2)
B3690-2	2"	(50)	3/8"-16	3 11/16"	(93.7)	2 1/8"	(54.0)	7/16"	(11.1)	2 9/16"	(65.1)	3 1/16"	(77.8)	400	(1.78)	29	(13.1)
B3690-2 1/2	2 1/2"	(65)	1/2"-13	4 7/16"	(112.7)	2 7/16"	(61.9)	9/16"	(14.3)	3 3/16"	(81.0)	3 5/8"	(92.1)	500	(2.22)	64	(29.0)
B3690-3	3"	(80)	1/2"-13	4 13/16"	(122.2)	2 9/16"	(65.1)	9/16"	(14.3)	3 1/2"	(88.9)	4 1/16"	(103.2)	500	(2.22)	72	(32.6)
B3690-3 1/2	3 1/2"	(90)	1/2"-13	5 1/8"	(130.2)	2 5/8"	(66.7)	9/16"	(14.3)	3 3/4"	(95.2)	4 3/8"	(111.1)	500	(2.22)	84	(38.1)
B3690-4	4"	(100)	5/8"-11	6 1/8"	(155.6)	3 3/16"	(81.0)	9/16"	(14.3)	4 5/8"	(117.5)	5 3/16"	(131.8)	550	(2.44)	138	(62.6)
B3690-5	5"	(125)	5/8"-11	6 3/4"	(171.4)	3 1/4"	(82.5)	9/16"	(14.3)	5 1/16"	(128.6)	5 3/4"	(146.0)	550	(2.44)	162	(73.5)
B3690-6	6"	(150)	3/4"-10	7 3/4"	(196.8)	3 9/16"	(90.5)	9/16"	(14.3)	5 13/16"	(147.6)	6 5/8"	(168.3)	600	(2.67)	249	(112.9)
B3690-8	8"	(200)	7/8"-9	9 3/16"	(233.4)	3 15/16"	(100.0)	9/16"	(14.3)	6 15/16"	(176.2)	8"	(203.3)	760	(3.38)	291	(132.0)
B3690-10	10"	(250)	7/8"-9	10 3/4"	(273.0)	3 7/8"	(98.4)	9/16"	(14.3)	7 5/8"	(193.7)	9 1/8"	(231.8)	760	(3.38)	315	(142.9)

All dimensions in charts and on drawings are in inches. Dimensions shown in parentheses are in millimeters unless otherwise specified.