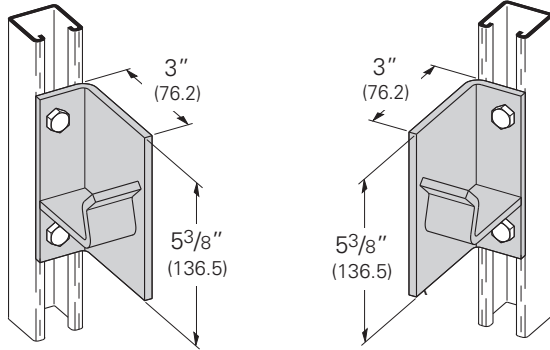


# Miscellaneous Fittings

## B214 R&L Reel Rack Support for 1 1/4" (32) Pipe

- Standard finishes: ZN, GRN
- Wt./C 200 Lbs. (90.7 kg)

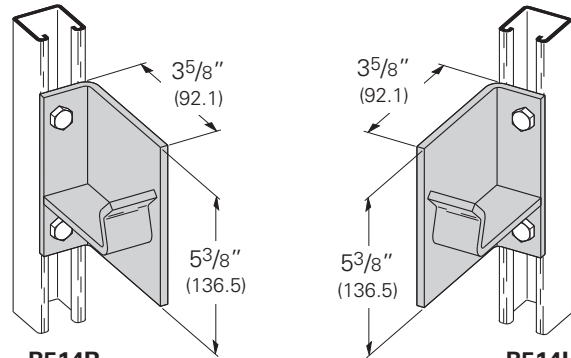


**B214R**  
Right Hand

**B214L**  
Left Hand

## B514 R&L Reel Rack Support for 2" (50) Pipe

- Standard finishes: ZN, GRN
- Wt./C 246 Lbs. (111.6 kg)

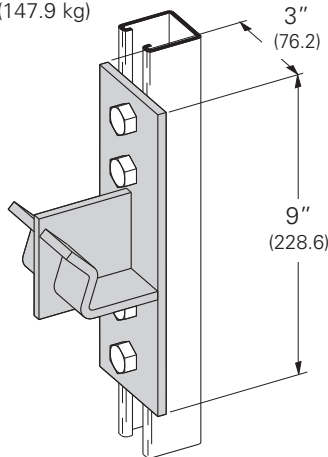


**B514R**  
Right Hand

**B514L**  
Left Hand

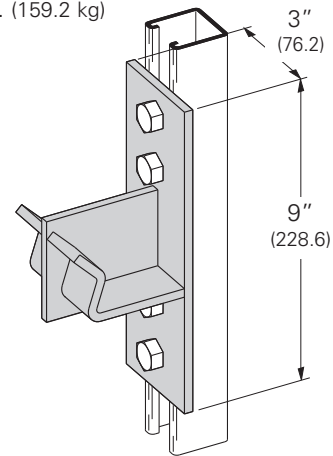
## B475 Double Reel Rack Support on Single Channel for 1 1/4" (32) Pipe

- Standard finishes: ZN, GRN
- Wt./C 326 Lbs. (147.9 kg)



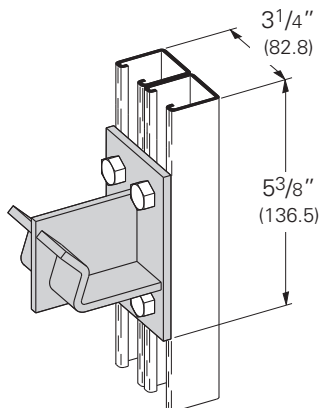
## B473 Double Reel Rack Support on Single Channel for 2" (50) Pipe

- Standard finishes: ZN, GRN
- Wt./C 351 Lbs. (159.2 kg)



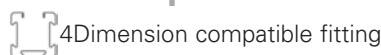
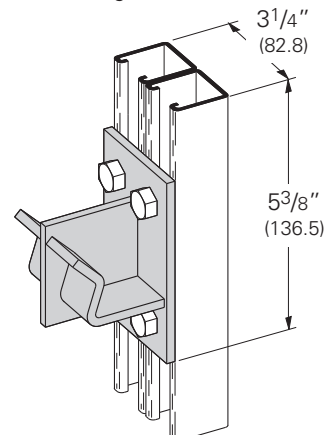
## B474 Double Reel Rack Support on Double Channel for 1 1/4" (32) Pipe

- Standard finishes: ZN, GRN
- Wt./C 257 Lbs. (116.6 kg)



## B472 Double Reel Rack Support on Double Channel for 2" (50) Pipe

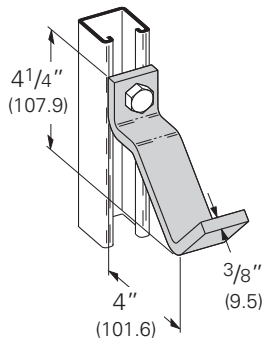
- Standard finishes: ZN, GRN
- Wt./C 299 Lbs. (135.6 kg)



Reference page 73 for general fitting and standard finish specifications.

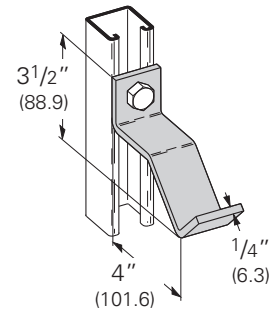
## B438 Pipe Support Bracket

- Standard finishes: ZN, GRN
- Material: ASTM A36
- Wt./C 132 Lbs. (59.9 kg)



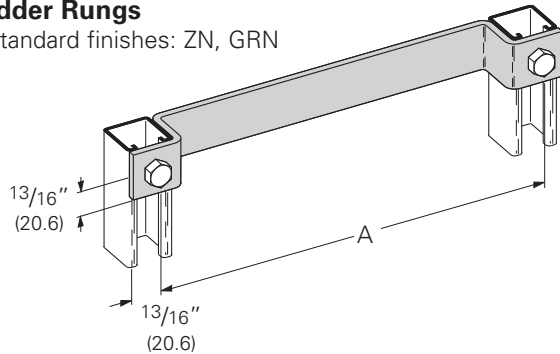
## B439 Pipe Support Bracket

- Standard finishes: ZN, GRN
- Wt./C 88 Lbs. (39.9 kg)



## B411 Series Ladder Rungs

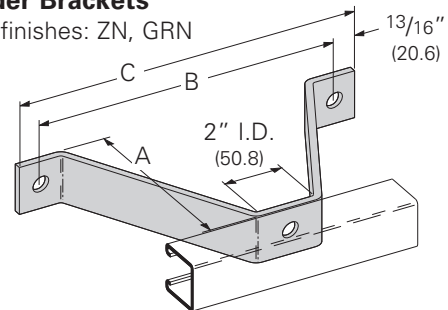
- Standard finishes: ZN, GRN



| Part No. | A   |         | Wt./C |         |
|----------|-----|---------|-------|---------|
|          | In. | mm      | Lbs.  | kg      |
| B411-12  | 12" | (304.8) | 176   | (79.8)  |
| B411-15  | 15" | (381.0) | 202   | (91.6)  |
| B411-18  | 18" | (457.2) | 234   | (106.1) |

## B381-B385 Wall Ladder Brackets

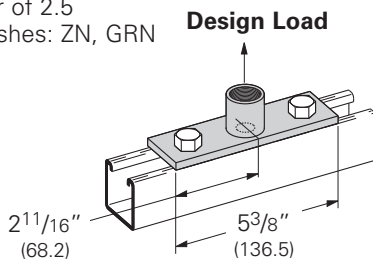
- Standard finishes: ZN, GRN



| Part No. | A                                |         | B   |         | C                                |         | Wt./C |         |
|----------|----------------------------------|---------|-----|---------|----------------------------------|---------|-------|---------|
|          | In.                              | mm      | In. | mm      | In.                              | mm      | Lbs.  | kg      |
| B381     | 2 <sup>3</sup> / <sub>8</sub> "  | (60.3)  | 6"  | (152.4) | 7 <sup>5</sup> / <sub>8</sub> "  | (193.7) | 110   | (49.9)  |
| B382     | 4 <sup>3</sup> / <sub>8</sub> "  | (111.1) | 8"  | (203.2) | 9 <sup>5</sup> / <sub>8</sub> "  | (244.5) | 164   | (74.4)  |
| B383     | 6 <sup>3</sup> / <sub>8</sub> "  | (161.9) | 10" | (254.0) | 11 <sup>5</sup> / <sub>8</sub> " | (295.3) | 200   | (90.7)  |
| B384     | 8 <sup>3</sup> / <sub>8</sub> "  | (212.7) | 12" | (304.8) | 13 <sup>5</sup> / <sub>8</sub> " | (346.1) | 253   | (114.7) |
| B385     | 10 <sup>3</sup> / <sub>8</sub> " | (263.5) | 14" | (355.6) | 15 <sup>5</sup> / <sub>8</sub> " | (396.9) | 318   | (144.2) |

## B587-1/2, 3/4 & 1 Pipe Coupling Fitting

- Safety Factor of 2.5
- Standard finishes: ZN, GRN



| Part No. | For Pipe Size |      | Wt./C |        | Design Load |
|----------|---------------|------|-------|--------|-------------|
|          | In.           | mm   | Lbs.  | kg     | Lbs. kN     |
| B587-1/2 | 1/2"          | (15) | 77    | (34.9) | 1000 (4.45) |
| B587-3/4 | 3/4"          | (20) | 84    | (38.1) | 1400 (6.23) |
| B587-1   | 1"            | (25) | 105   | (47.6) | 1900 (8.45) |

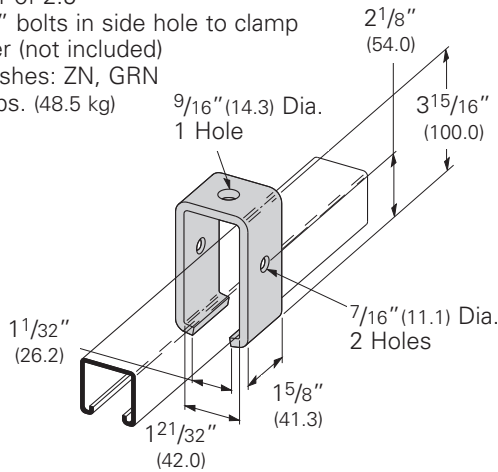
4Dimension compatible fitting

Reference page 73 for general fitting and standard finish specifications.

# Miscellaneous Fittings

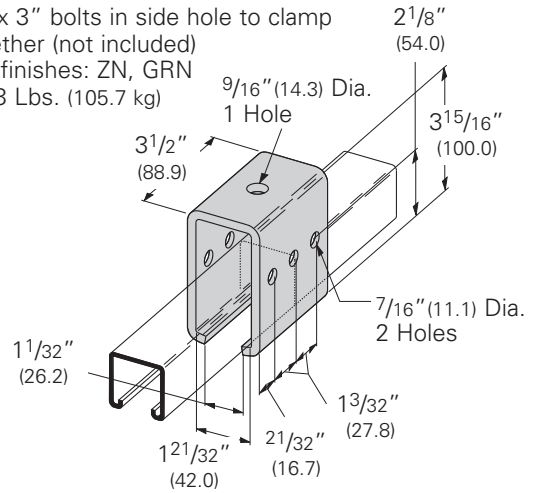
## B349 Trolley Beam Support

- Design Load 1200 Lbs. (5.34 kN)
- Safety Factor of 2.5
- Use  $\frac{3}{8}$ " x 3" bolts in side hole to clamp strut together (not included)
- Standard finishes: ZN, GRN
- Wt./C 107 Lbs. (48.5 kg)



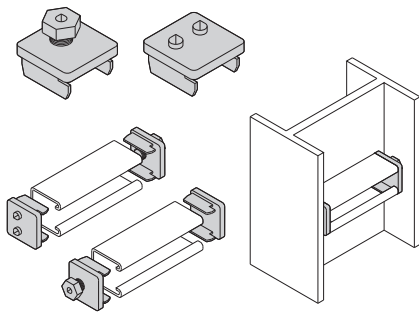
## B350 Trolley Beam Joint Support

- Design Load 1200 Lbs. (5.34 kN)
- Use  $\frac{3}{8}$ " x 3" bolts in side hole to clamp strut together (not included)
- Standard finishes: ZN, GRN
- Wt./C 233 Lbs. (105.7 kg)



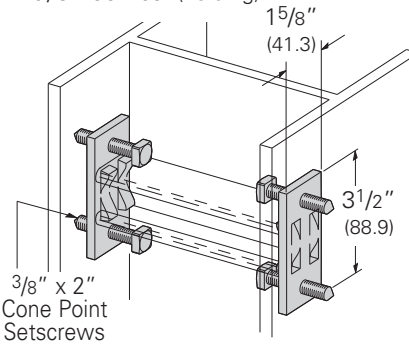
## B614 Column Support for B22

- Quick installation (one bolt to tighten)
- Design Load 800 Lbs. (3.56 kN) Slip with Safety Factor of 3
- Use with B22 and B24 Channel
- Sold in pairs
- Standard finish: ZN
- Wt./C 50 Lbs. (22.6 kg)



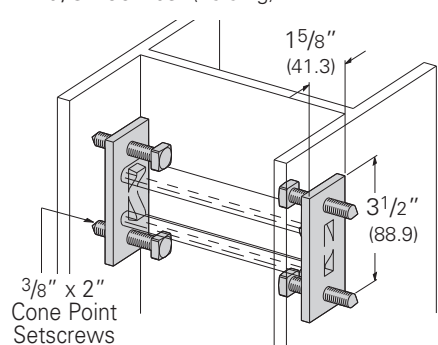
## B613 Column Support for B22

- Design Load 800 Lbs. (3.56 kN) Slip with Safety Factor of 3
- Use with B22 and B24 Channel
- Setscrews to be torqued to 19 ft./Lbs
- Sold in pairs
- Standard finishes: ZN, GRN, HDG
- Wt./C 100 Lbs. (45.3 kg)



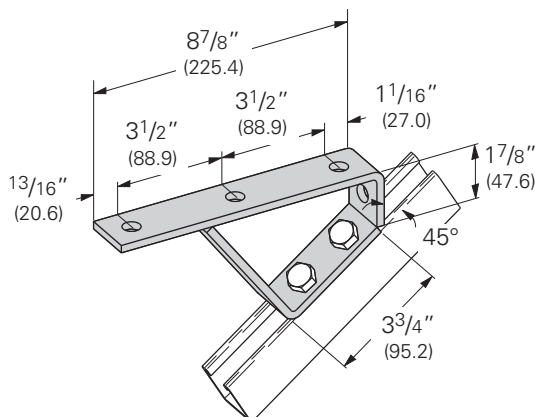
## B613A Column Support for B52

- Design Load 800 Lbs. (3.56 kN) Slip with Safety Factor of 3
- Use with B52 and B54 Channel
- Setscrews to be torqued to 19 ft./Lbs
- Sold in pairs
- Standard finishes: ZN, GRN, HDG
- Wt./C 100 Lbs. (45.3 kg)



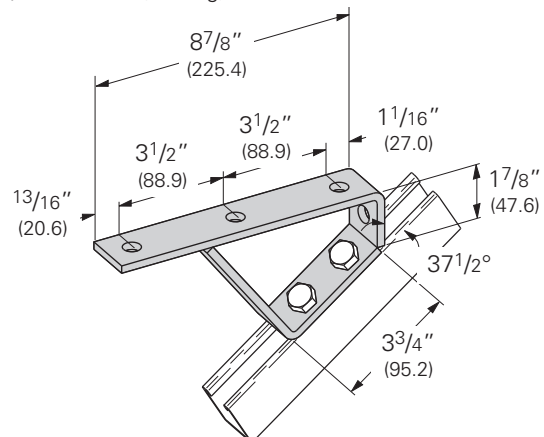
## B560 45° Stair Support

- Standard finishes: ZN, GRN
- Wt./C 220 Lbs. (99.8 kg)



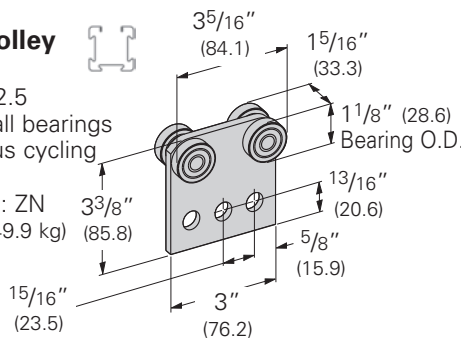
## B562 37 1/2° Stair Support

- Standard finishes: ZN, GRN
- Wt./C 206 Lbs. (93.4 kg)



## B376 Four Bearing Trolley Assembly

- Safety Factor of 2.5
- Stainless steel ball bearings
- Not for continuous cycling applications
- Standard finishes: ZN
- Wt./C 110 Lbs. (49.9 kg)

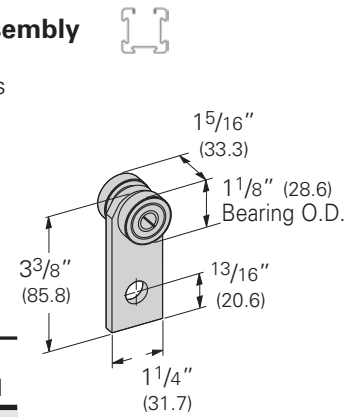


| Design Load in B22 |        |      |
|--------------------|--------|------|
| Lbs.               | kN     | RPM  |
| 300                | (1.33) | @600 |
| 450                | (2.00) | @300 |
| 600                | (2.67) | @100 |

Design Load

## B377 Two Bearing Trolley Assembly

- Safety Factor of 2.5
- Stainless steel ball bearings
- Not for continuous cycling applications
- Standard finishes: ZN
- Wt./C 48 Lbs. (21.8 kg)

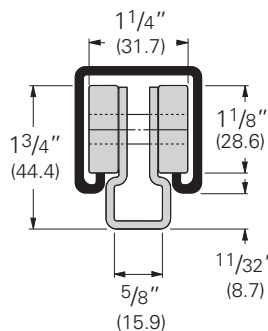


| Design Load in B22 |        |      |
|--------------------|--------|------|
| Lbs.               | kN     | RPM  |
| 150                | (.67)  | @600 |
| 225                | (1.00) | @300 |
| 437                | (1.94) | @100 |

Design Load

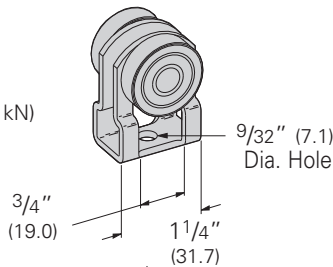
## B477 Two Bearing Light Duty Trolley Assembly

- Design Load 50 Lbs. (.22 kN)
- Safety Factor of 2.5
- Stainless steel ball bearings
- Not for continuous cycling applications
- Material: 12 Gauge (2.6) ASTM A1011 33,000 PSI min. yield
- Standard finishes: ZN
- Wt./C 30 Lbs. (13.6 kg)



## B477P With Plastic Bearings

- Design Load 10 Lbs. (.045 kN)



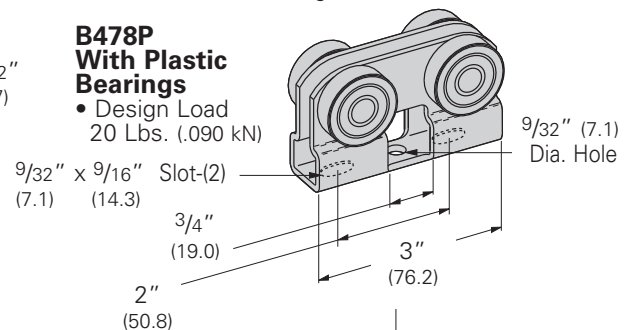
Design Load

## B478 Four Bearing Light Duty Trolley Assembly

- Design Load 100 Lbs. (.44 kN)
- Safety Factor of 2.5
- Stainless steel ball bearings
- Not for continuous cycling applications
- Material: 12 Gauge (2.6) ASTM A1011 33,000 PSI min. yield
- Standard finishes: ZN
- Wt./C 68 Lbs. (30.8 kg)

## B478P With Plastic Bearings

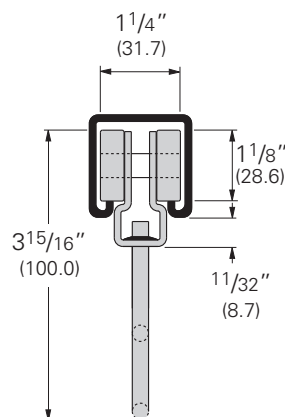
- Design Load 20 Lbs. (.090 kN)



Design Load

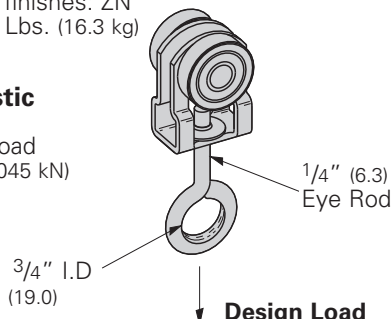
## B477H Two Bearing Light Duty Trolley Assembly with Eye Hook

- Design Load 50 Lbs. (.22 kN)
- Safety Factor of 2.5
- Stainless steel ball bearings
- Not for continuous cycling applications
- Material: 12 Gauge (2.6) ASTM A1011 33,000 PSI min. yield
- Standard finishes: ZN
- Wt./C 36 Lbs. (16.3 kg)



## B477HP With Plastic Bearings

- Design Load 10 Lbs. (.045 kN)



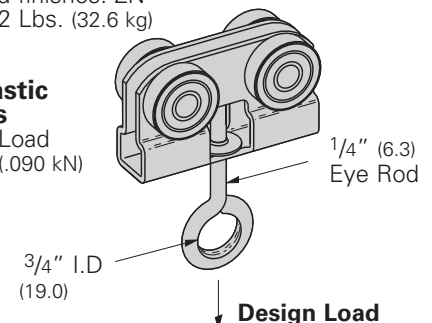
Design Load

## B478H Four Bearing Light Duty Trolley Assembly with Eye Hook

- Design Load 100 Lbs. (.44 kN)
- Safety Factor of 2.5
- Stainless steel ball bearings
- Not for continuous cycling applications
- Material: 12 Gauge (2.6) ASTM A1011 33,000 PSI min. yield
- Standard finishes: ZN
- Wt./C 72 Lbs. (32.6 kg)

## B478HP With Plastic Bearings

- Design Load 20 Lbs. (.090 kN)



Design Load

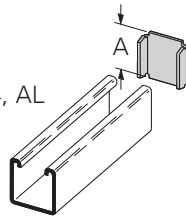
4Dimension compatible fitting

Reference page 73 for general fitting and standard finish specifications.

# Miscellaneous Fittings

## B203-B206 & B220-B223 Channel End Caps Type X

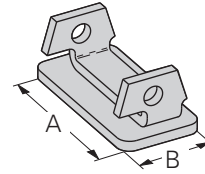
- Material: ASTM A1011 CS Type B
- Standard finishes: ZN, GRN, HDG, SS4, AL



| Part No. | Use With | A     |        | Wt./C |       |
|----------|----------|-------|--------|-------|-------|
|          |          | In.   | mm     | Lbs.  | kg    |
| B203     | B42      | 1.015 | (25.8) | 6     | (2.7) |
| B204     | B54      | .827  | (21.0) | 5     | (2.2) |
| B205     | B22      | 1.640 | (41.6) | 10    | (4.5) |
| B206     | B32      | 1.390 | (35.3) | 8     | (3.6) |
| B220     | B52      | .827  | (21.0) | 4     | (1.8) |
| B221     | B12      | 2.452 | (62.3) | 15    | (6.8) |
| B222     | B11      | 3.265 | (82.9) | 20    | (9.1) |
| B223     | B24      | 1.640 | (41.6) | 10    | (4.5) |

## B283-B286 Channel End Caps

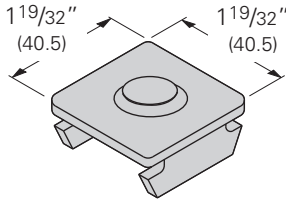
- Material: ASTM A1011 33,000 PSI min. yield
- Standard finishes: ZN, GRN



| Part No. | Use With  | A                                 |        | B                                 |        | Wt./C |       |
|----------|-----------|-----------------------------------|--------|-----------------------------------|--------|-------|-------|
|          |           | In.                               | mm     | In.                               | mm     | Lbs.  | kg    |
| B283     | B52       | 1 <sup>19</sup> / <sub>32</sub> " | (40.5) | 2 <sup>5</sup> / <sub>32</sub> "  | (19.8) | 6     | (2.7) |
| B284     | B54 & B56 | 1 <sup>19</sup> / <sub>32</sub> " | (40.5) | 2 <sup>5</sup> / <sub>32</sub> "  | (19.8) | 6     | (2.7) |
| B285     | B22       | 1 <sup>19</sup> / <sub>32</sub> " | (40.5) | 1 <sup>19</sup> / <sub>32</sub> " | (40.5) | 13    | (5.9) |
| B286     | B24 & B26 | 1 <sup>19</sup> / <sub>32</sub> " | (40.5) | 1 <sup>19</sup> / <sub>32</sub> " | (40.5) | 14    | (6.3) |

## B287 & B288 Channel End Caps

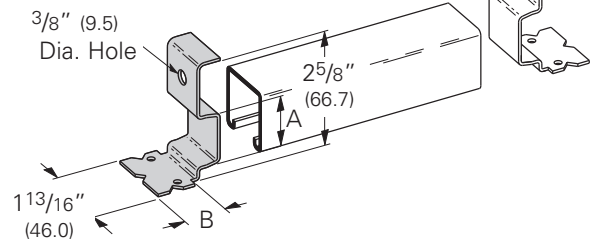
- Material: ASTM A1011 33,000 PSI min. yield
- Standard finishes: ZN, GRN



| Part No. | Use With | Wt./C |       |
|----------|----------|-------|-------|
|          |          | Lbs.  | kg    |
| B287     | B22      | 13    | (5.9) |
| B288     | B24      | 14    | (6.3) |

## B3322, B3332, B3342, B3352 Anchor End Caps Type Y

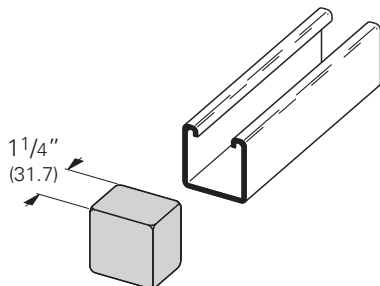
- Material: ASTM A1011 33,000 PSI min. yield
- Standard finishes: ZN



| Part No. | Use With | A     |        | B                                |        | Wt./C |       |
|----------|----------|-------|--------|----------------------------------|--------|-------|-------|
|          |          | In.   | mm     | In.                              | mm     | Lbs.  | kg    |
| B3322    | B221     | 1.270 | (32.2) | 1 <sup>3</sup> / <sub>16</sub> " | (30.2) | 15    | (6.8) |
| B3332    | B321     | 1.000 | (25.4) | 1 <sup>3</sup> / <sub>16</sub> " | (30.2) | 15    | (6.8) |
| B3342    | B421     | .645  | (16.4) | 1 <sup>1</sup> / <sub>4</sub> "  | (31.8) | 15    | (6.8) |
| B3352    | B521     | .460  | (11.7) | 1 <sup>5</sup> / <sub>16</sub> " | (33.3) | 15    | (6.8) |

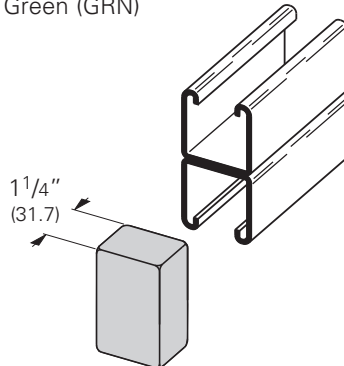
## B822 Plastic End Cap for B22 & B24

- Material: Polyvinyl Chloride (PVC/Vinyl)
- Withstands intermittent temperatures up to 350°F (177°C) and 200°F (93°C) continuous
- Wt./C 3 Lbs. (1.3 kg)
- Available in colors: White (W), Yellow (Y), Black (BLK), Gray (GRY), Green (GRN)



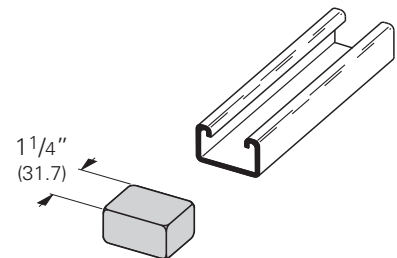
## B822A Plastic End Cap for B22A & B11

- Material: Polyvinyl Chloride (PVC/Vinyl)
- Withstands intermittent temperatures up to 350°F (177°C) and 200°F (93°C) continuous
- Wt./C 5 Lbs. (2.2 kg)
- Available in colors: White (W), Yellow (Y), Black (BLK), Gray (GRY), Green (GRN)



## B852 Plastic End Cap for B52

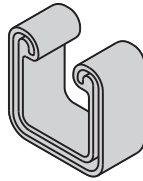
- Material: Polyvinyl Chloride (PVC/Vinyl)
- Withstands intermittent temperatures up to 350°F (177°C) and 200°F (93°C) continuous
- Wt./C 2.5 Lbs. (1.1 kg)
- Available in colors: White (W), Yellow (Y), Black (BLK), Gray (GRY), Green (GRN)



# Miscellaneous Fittings

## B823 Profile End Caps

- Material: Polyvinyl Chloride (PVC/Vinyl)
- Withstands intermittent temperatures up to 350°F (177°C) and 200°F (93°C) continuous
- Available in colors: White (W), Yellow (Y), Black (BLK), Gray (GRY), Green (GRN)

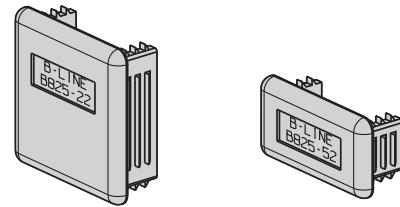


Approx. 3/4" deep  
(19.0)

| Part No.        | Fits<br>Channel Sizes | Wt./C |       |
|-----------------|-----------------------|-------|-------|
|                 |                       | Lbs.  | kg    |
| <b>B823-22A</b> | B22A, B24A, B26A      | 6.9   | (3.1) |
| <b>B823-22</b>  | B22, B24, B26         | 4.1   | (1.8) |
| <b>B823-42</b>  | B42                   | 3.8   | (1.7) |
| <b>B823-52</b>  | B52, B54, B56         | 3.5   | (1.6) |

## B825 Plastic End Caps

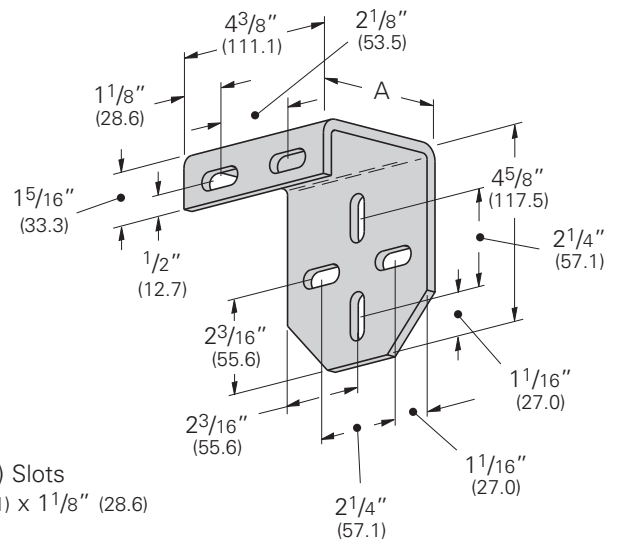
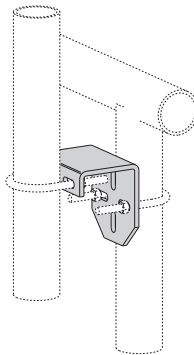
- Material: Polyurethane
- Available in colors: Gray (GRY), Green (GRN)



| Part No.       | Fits<br>Channel Sizes | Wt./C |       |
|----------------|-----------------------|-------|-------|
|                |                       | Lbs.  | kg    |
| <b>B825-22</b> | B22 & B24             | 2.0   | (0.9) |
| <b>B825-52</b> | B52 & B54             | 1.0   | (0.4) |

## B408SLBVNS Series Stand-Off Brackets

- Material: 1/4" (6.3)
- Standard Finishes: HDG, ZN, GRN
- For pipe or rigid conduit sizes of 1 1/2" (40) and 2" (50) use with B501 Series 'U'-Bolts (see page 53)
- For strut channels 1 5/8" (41.3) wide use with B500 Series Square 'U'-Bolts (see page 53)
- Hardware is not included



| Part No.           | A<br>In. (mm) | Wt./C |         |
|--------------------|---------------|-------|---------|
|                    |               | Lbs.  | kg      |
| <b>B408SLBVNS</b>  | 3 1/2" (88.9) | 189   | (85.7)  |
| <b>B408SLBVNS1</b> | 3" (76.2)     | 220   | (99.8)  |
| <b>B408SLBVNS2</b> | 2" (50.8)     | 236   | (107.0) |

Reference page 73 for general fitting and standard finish specifications.