



Single Meter Sockets, Without Bypass - 400 Amp Max	57 - 58
Meter Mains, With Optional MCC Bypass - 400 Amp Max	59 - 60
Meter Main Load Centers, With Optional MCC Bypass - 400 Amp Max	61 - 62
Class 320 - Meter Breaker Data	63
Class 320 - Wiring Diagrams	64 - 65

Single Meter Sockets - Without Bypass

400 Amp Max



324N (open)



324C (open)



Application

- Manual circuit closing bypass (link bypass) under separate cover
- Receive ANSI C12.10 watt-hour meters
- Surface mount

Construction

- NEMA Type 3R
- ANSI 61 gray E-coat finish
- Aluminum snap ring included

Standards

- UL 414 Listed
- ANSI C12.7
- EUSERC 302

Accessories

- Flush Trim Kit - FK1432 or FK2432
- H Hubs

Part/UPC Number	Catalog Number	Max Amp Rating	Jaws	Service Type	Access	Bypass
78205162220	324C *	400	4	1Ø/3W	UG	MCC
78205162210	324N **	400	4	1Ø/3W	OH/UG	MCC

Part/UPC Number	Catalog Number	Connections			Overall Dimensions			Top Provision	Knockout Layout
		Line	Load	Neutral	Height	Width	Depth		
78205162220	324C *	Studs	#4 - 600 MCM	Studs	32"	24"	6"	None	Fig. 1
78205162210	324N **	#4 - 600 MCM	#4 - 600 MCM	#4 - 600 MCM	32"	14"	6"	H Hub	Fig. 2

* Complies with EUSERC 302A

** Complies with EUSERC 302B

Single Meter Sockets - Without Bypass

400 Amp Max

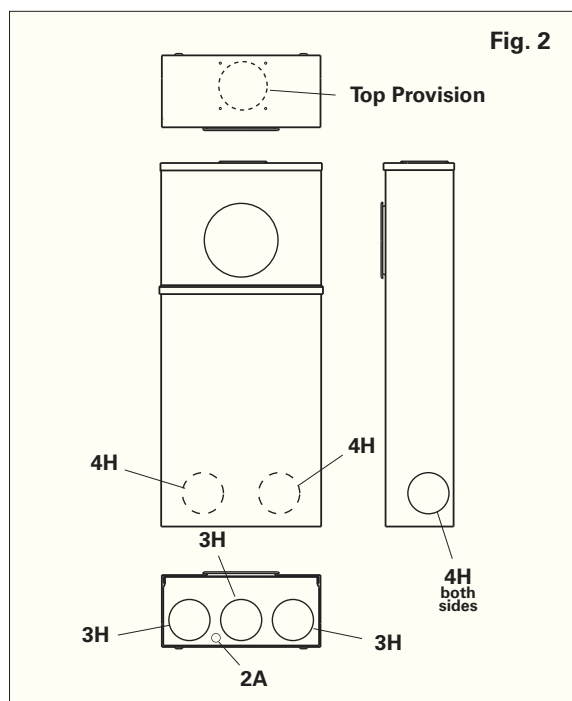
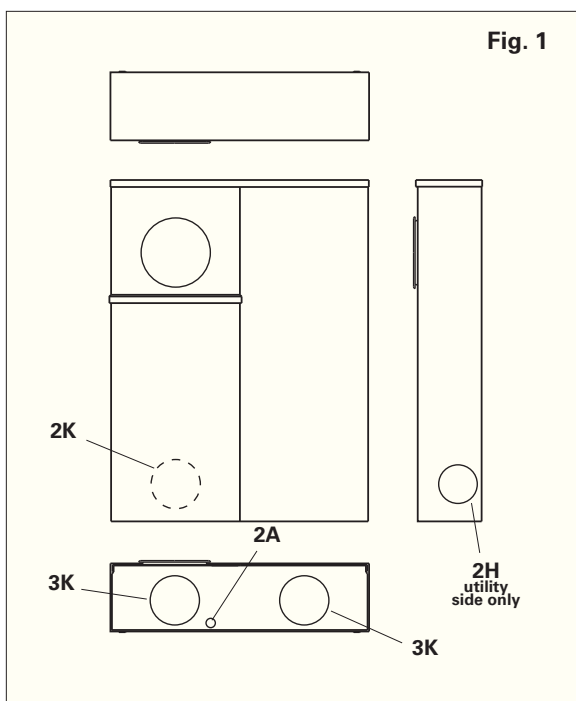
Style #	Suffixes
324C	SS - Stainless Steel *
324N	MS-20 - Sealing Ring Interlocking Cover

Knockouts - Conduit Sizes

2A = 1/2" - 1/4"
 3H = 3" - 2 1/2" - 2"
 4H = 3" - 2 1/2" - 2" - 1 1/2"
 2K = 4" - 3 1/2"
 3K = 4" - 3 1/2" - 3"
 Top Provision = See Chart

* Knockouts and top provisions are not available in Stainless Steel (SS) finish

Knockout Layouts



Data subject to change without notice. Consult local utility for area acceptance. All dimensions are in inches.

Meter Mains - With Optional MCC Bypass

400 Amp Max



U404MC (closed)



U404MC (open)

Application

- Combination meter/main with optional manual circuit closing (link type) bypass
- Factory installed breaker
- Receive ANSI C12.10 watt-hour meters
- Surface mount

Construction

- NEMA Type 3R
- ANSI 61 gray E-coat finish
- Aluminum snap ring included
- Removable door with sealing provision and lifting handles

Standards

- UL 67 Listed
- ANSI C12.7
- EUSERC 302

Accessories

- Flush Trim Kit - FK2438
- Overhead Adapter - CK8326



Part/UPC Number	Catalog Number	Max Amp Rating	Jaws	Service Type	Access	Voltage	Main Breaker AIC	Main	Bypass
78205181515	U4042MC	400	4	1Ø/3W	UG	120/240	10K	(2) 200A, 2P	--
78205181517	U4042MCC	400	4	1Ø/3W	UG	120/240	10K	(2) 200A, 2P	MCC
78205181525	U404MC	400	4	1Ø/3W	UG	120/240	22K	(1) 400A, 2P	--
78205181530	U404MCC	400	4	1Ø/3W	UG	120/240	22K	(1) 400A, 2P	MCC

Part/UPC Number	Catalog Number	Connections			Overall Dimensions			Top Provision	Knockout Layout
		Line	Load	Neutral	Height	Width	Depth		
78205181515	U4042MC	Studs	MCB	#6 - 250 MCM	38"	30"	6"	None	Fig. 1
78205181517	U4042MCC	Studs	MCB	#6 - 250 MCM	38"	24"	6"	None	Fig. 1
78205181525	U404MC	Studs	MCB	#6 - 600 MCM	38"	24"	6"	None	Fig. 2
78205181530	U404MCC	Studs	MCB	#6 - 600 MCM	38"	24"	6"	None	Fig. 2

Class 320 Metering

Meter Mains - With Optional MCC Bypass

400 Amp Max

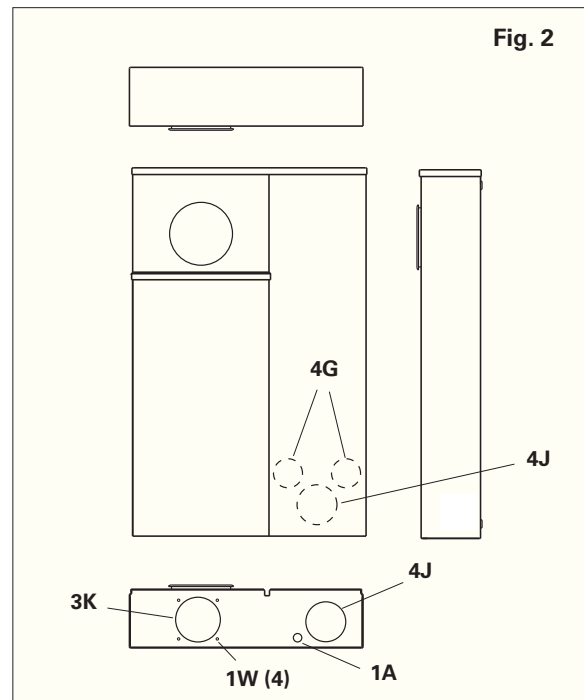
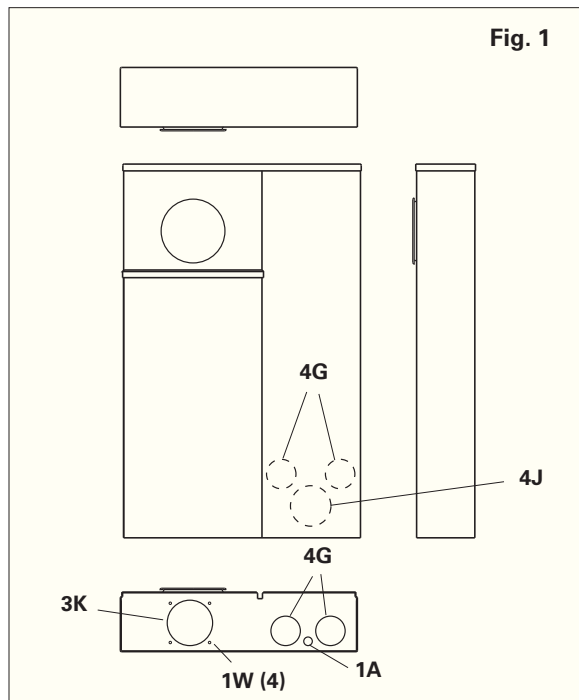
Style #	Suffixes
U404	MC - No bypass
U4042	MCC - MCC bypass
	SS - Stainless Steel *

Knockouts - Conduit Sizes

1A = 1/2"
 4G = 2 1/2" - 2" - 1 1/2" - 1 1/4"
 4J = 3 1/2" - 3" - 2 1/2" - 2"
 3K = 4" - 3 1/2" - 3"
 1W = 1/4"
 Top Provision = See Chart

* Knockouts and top provisions are not available in Stainless Steel (SS) finish

Knockout Layouts



Meter Main Loadcenters - With Optional MCC Bypass

400 Amp Max



U4041123MC (closed)



U4041123MC (open)



Application

- Combination meter/main/loadcenter with optional manual circuit closing (link type) bypass
- Factory installed breaker
- Receive ANSI C12.10 watthour meters
- Surface mount

Construction

- NEMA Type 3R
- ANSI 61 gray E-coat finish
- Aluminum snap ring included
- Removable door with sealing provision and lifting handles

Standards

- UL 67 Listed
- ANSI C12.7
- EUSERC 302

Part/UPC Number	Catalog Number	Max Amp Rating	Jaws	Service Type	Access	Main Breaker		Provisions	Loadcenter	Bypass	
						Voltage	AIC				
78205157072	U40411230MC	400	4	1Ø/3W	UG	120/240	22K	(1) 200A, 2P	(2) 100A	20/40	--
78205157074	U40411230MCC	400	4	1Ø/3W	UG	120/240	22K	(1) 200A, 2P	(2) 100A	20/40	MCC
78205119923	U4042208MC	400	4	1Ø/3W	UG	120/240	22K	(1) 200A, 2P	(1) 200A	8	--
78205120682	U4042208MCC	400	4	1Ø/3W	UG	120/240	22K	(1) 200A, 2P	(1) 200A	8	MCC
78205177210	U4042230MC	400	4	1Ø/3W	UG	120/240	22K	(1) 200A, 2P	(1) 200A	20/40	--
78205177220	U4042230MCC	400	4	1Ø/3W	UG	120/240	22K	(1) 200A, 2P	(1) 200A	20/40	MCC
78205177230	U404430MC	400	4	1Ø/3W	UG	120/240	22K	(1) 400A, 2P	--	30	--
78205177240	U404430MCC	400	4	1Ø/3W	UG	120/240	22K	(1) 400A, 2P	--	30	MCC

Part/UPC Number	Catalog Number	Connections		Height	Overall Dimensions		Top Provision	Knockout Layout
		Line	Load		Neutral	Width		
78205157072	U40411230MC	Studs	MCB	#6 - 250 MCM	38"	30"	6"	None Fig. 1
78205157074	U40411230MCC	Studs	MCB	#6 - 250 MCM	38"	30"	6"	None Fig. 1
78205119923	U4042208MC	Studs	MCB	#6 - 250 MCM	38"	30"	6"	None Fig. 2
78205120682	U4042208MCC	Studs	MCB	#6 - 250 MCM	38"	30"	6"	None Fig. 2
78205177210	U4042230MC	Studs	MCB	#6 - 250 MCM	38"	30"	6"	None Fig. 1
78205177220	U4042230MCC	Studs	MCB	#6 - 250 MCM	38"	30"	6"	None Fig. 1
78205177230	U404430MC	Studs	MCB	#6 - 250 MCM	47"	34"	6"	None Fig. 3
78205177240	U404430MCC	Studs	MCB	#6 - 250 MCM	47"	34"	6"	None Fig. 3

Class 320 Metering

Meter Main Loadcenters - With Optional MCC Bypass

400 Amp Max

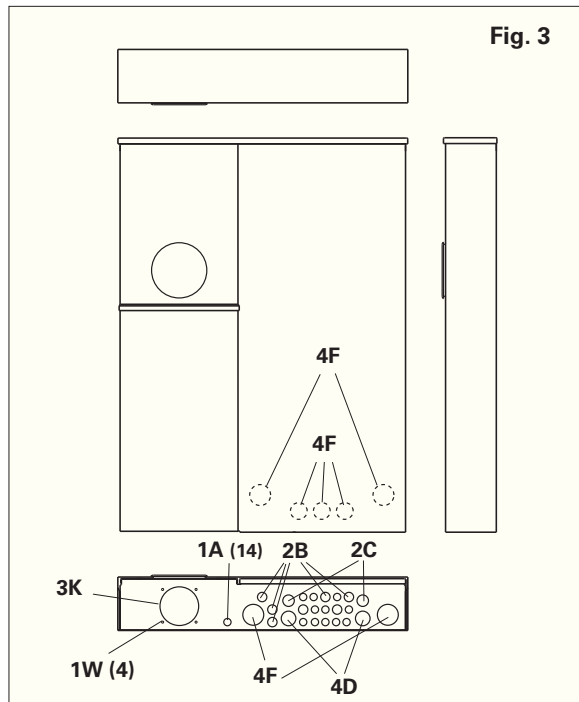
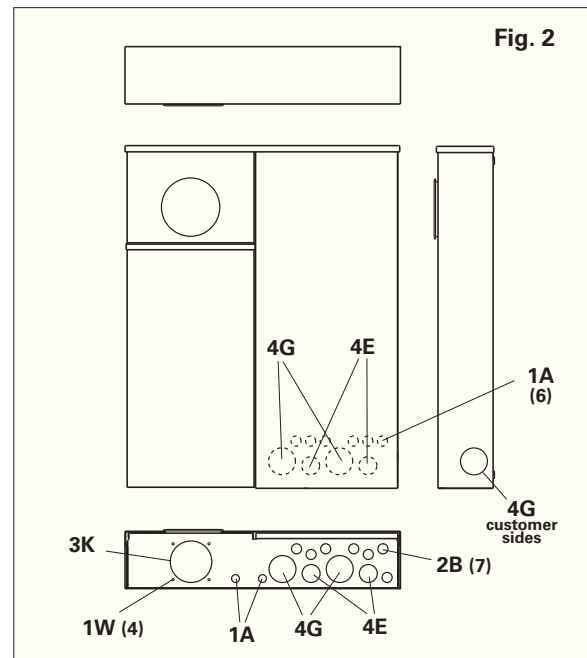
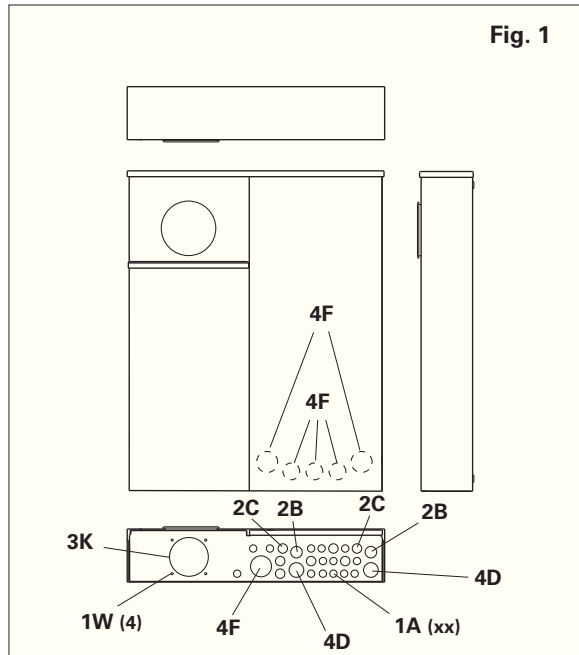
Style #	Suffixes
U404430	MC - No bypass
U4042208	MCC - MCC bypass
U4042230	SS - Stainless Steel *
U40411230	

Knockouts - Conduit Sizes

- 1A = 1/2"
- 2B = 3/4" - 1/2"
- 2C = 1" - 3/4"
- 4D = 1 1/4" - 1" - 3/4" - 1/2"
- 4E = 1 1/2" - 1 1/4" - 1" - 3/4"
- 4F = 2" - 1 1/2" - 1 1/4" - 1"
- 4G = 2 1/2" - 2" - 1 1/2" - 1 1/4"
- 3K = 4" - 3 1/2" - 3"
- 1W = 1/4"

Knockout Layouts

* Knockouts and top provisions are not available in Stainless Steel (SS) finish



Data subject to change without notice. Consult local utility for area acceptance. All dimensions are in inches.

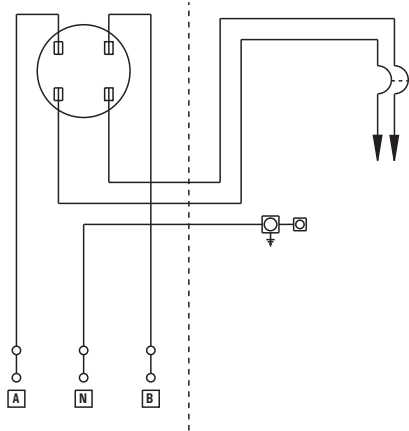
Class 320 - Meter Breaker Data

Main Breaker Data

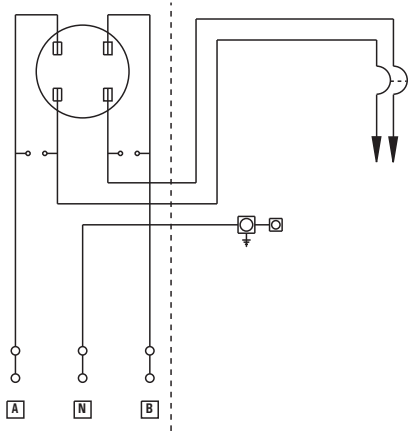
Catalog Number	B-Line Breaker #	ITE Breaker #	Ampacity	# of Poles	AIC
U404MC/MCC	25564F	JXD22B400	400A	2P	22K
U4042MC/MCC	25582A	QN2200	200A	2P	10K
U40411230MC/MCC	25585A	MBK200A	200A	2P	22K
U4042230MC/MCC	25585A	MBK200A	200A	2P	22K
U404430MC/MCC	25564F	JXD22B400	400A	2P	22K
U4042208MC	--	MBK200A	200A	2P	22K
U4042208MCC	--	MBK200A	200A	2P	22K

Breaker Provision Data

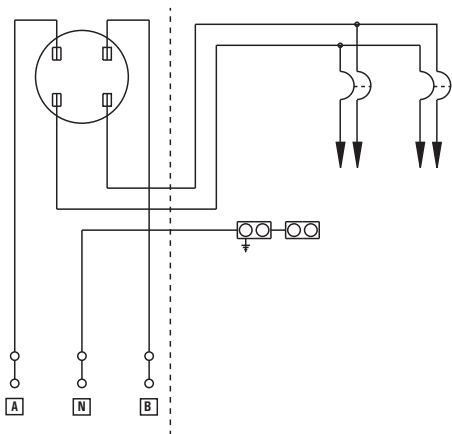
Catalog Number	B-Line Breaker #	ITE Breaker #	Ampacity	# of Poles	AIC
U40411230MC/MCC	25458P	Q2100	100A	2P	10K
U4042230MC/MCC	25464P	Q2100H	200A	2P	22K
	25582A	QN2200	200A	2P	10K
U4042208MC/MCC	25583A	QN2200H	200A	2P	22K
	25582A	QN2200	200A	2P	10K



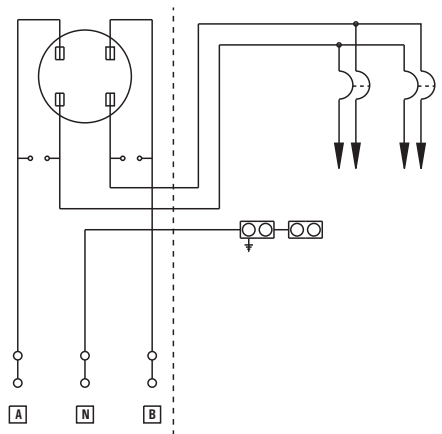
Catalog #
U404MC



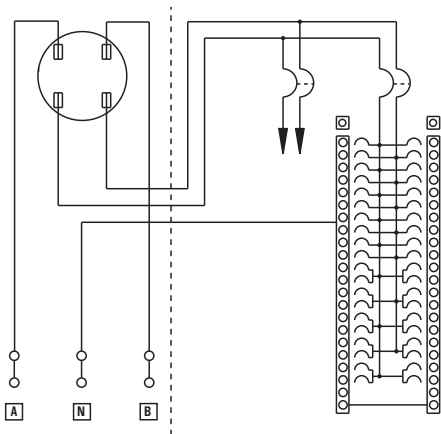
Catalog #
U404MCC



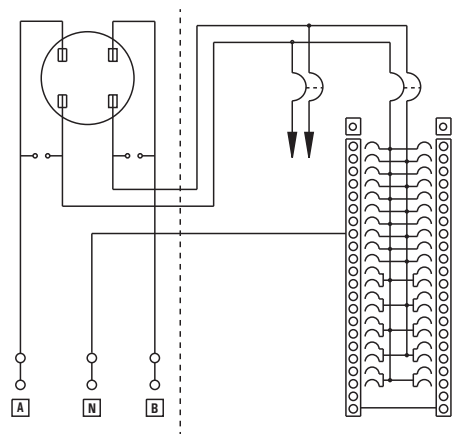
Catalog #
U4042MC



Catalog #
U4042MCC



Catalog #
U404223MC

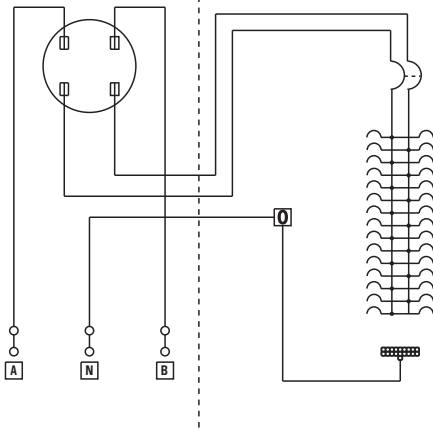


Catalog #
U404223MCC

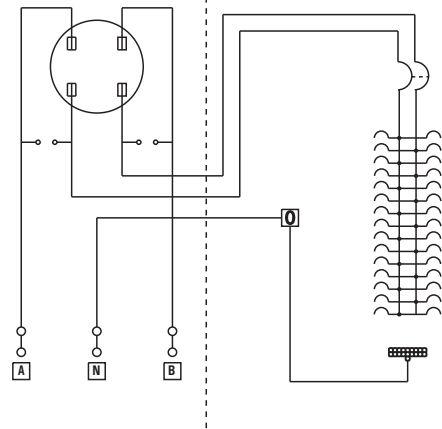
Class 320 Metering

Data subject to change without notice. Consult local utility for area acceptance. All dimensions are in inches.

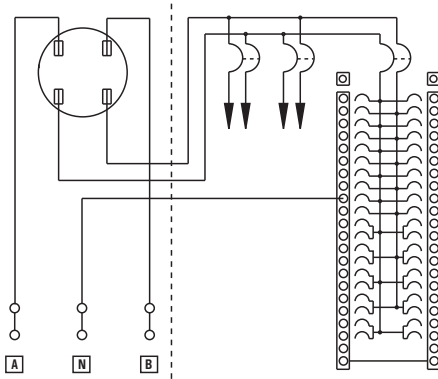
Class 320 - Wiring Diagrams



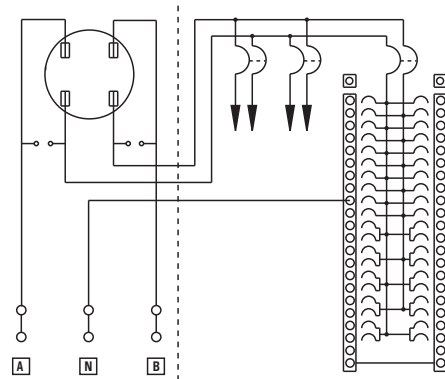
Catalog #
U404430MC



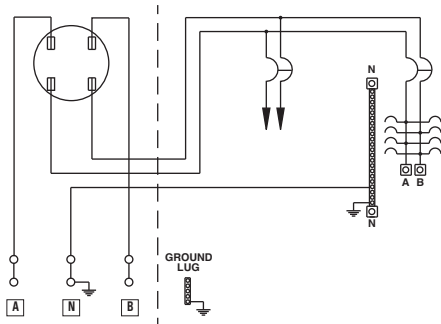
Catalog #
U404430MCC



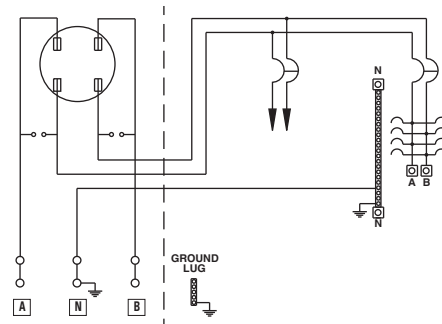
Catalog #
U40411230MC



Catalog #
U40411230MCC



Catalog #
U4042208MC



Catalog #
U4042208MCC

Class 320 Metering