

Type 12 / 13 Panel Enclosures

JIC Enclosures Type 12 Screw Cover Data Sheet

Type 12/13 Panel Encl.



Application

- Houses electrical controls and instruments
- Protects against circulating dust, falling dirt and dripping non-corrosive liquids

Standards

- UL 508A listed, Type 12 and Type 13
- CSA C22.2 No.94 certified, Type 12 and Type 13
- Conforms to NEMA standard for Type 12 and Type 13

Finish

- Wash and phosphate undercoat
- ANSI 61 gray polyester powder finish

Accessories

- Panels
- JIC terminal strap kit
- JIC terminal strip kit
- Terminal blocks
- Touch-up paint
- #8-32 self tapping screw (10168)
- See Accessories section

Construction

- Enclosure and cover are fabricated from (16) gauge steel
- All continuous welded seams are finished smooth
- Cover is attached with captive screws which thread into sealed well nuts
- Cover has a fixed, oil-resistant gasket
- Ground stud provided on cover
- #10-32 weldnuts are provided for mounting optional panel on 6" x 4" and larger enclosures
- External mounting feet are provided for secure wall mounting

Discount Schedule: C2

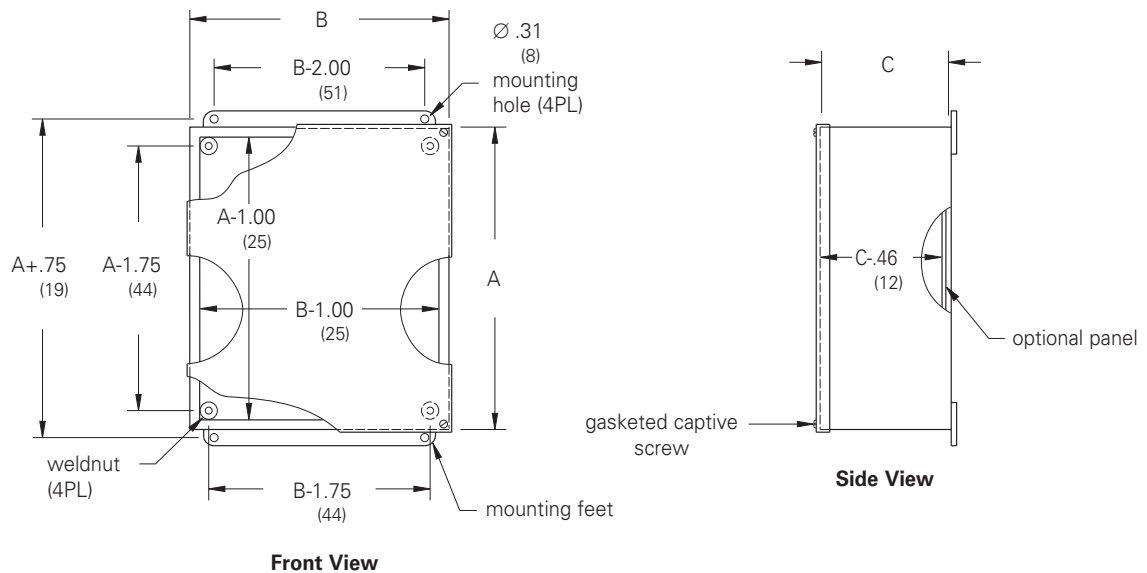
Subclass: DE0

Notes: We can provide special sizes, finishes and other modifications. Consult the factory for your special requirements.

JIC Enclosures Type 12 Screw Cover Illustration Sheet and Catalog Number

Enclosure Catalog Number	Enclosure Size Height x Width x Depth A x B x C		Panel Catalog Number		Panel Size Height x Width	
	in.	mm	Solid	Perforated	in.	mm
443-12SC	4.00 x 4.00 x 3.00	102 x 102 x 76	-	-	-	-
643-12SC	6.00 x 4.00 x 3.00	152 x 102 x 76	AW64P	AW64PP	4.87 x 2.87	124 x 73
863.5-12SC	8.00 x 6.00 x 3.50	203 x 152 x 89	AW86P	AW86PP	6.87 x 4.87	174 x 124
444-12SC	4.00 x 4.00 x 4.00	102 x 102 x 102	-	-	-	-
644-12SC	6.00 x 4.00 x 4.00	152 x 102 x 102	AW64P	AW64PP	4.87 x 2.87	124 x 73
664-12SC	6.00 x 6.00 x 4.00	152 x 152 x 102	AW66P	AW66PP	4.87 x 4.87	124 x 124
884-12SC	8.00 x 8.00 x 4.00	203 x 203 x 102	AW88P	AW88PP	6.87 x 6.87	174 x 174
1084-12SC	10.00 x 8.00 x 4.00	254 x 203 x 102	AW108P	AW108PP	8.87 x 6.87	225 x 174
10104-12SC	10.00 x 10.00 x 4.00	254 x 254 x 102	AW1010P	AW1010PP	8.87 x 8.87	225 x 225
12105-12SC	12.00 x 10.00 x 5.00	305 x 254 x 127	AW1210P	AW1210PP	10.87 x 8.87	272 x 225
866-12SC	8.00 x 6.00 x 6.00	203 x 152 x 152	AW86P	AW86PP	6.87 x 4.87	174 x 124
1086-12SC	10.00 x 8.00 x 6.00	254 x 203 x 152	AW108P	AW108PP	8.87 x 6.87	225 x 174
10106-12SC	10.00 x 10.00 x 6.00	254 x 254 x 152	AW1010P	AW1010PP	8.87 x 8.87	225 x 225
12126-12SC	12.00 x 12.00 x 6.00	305 x 305 x 152	AW1212P	AW1212PP	10.87 x 10.87	272 x 272
14126-12SC	14.00 x 12.00 x 6.00	356 x 305 x 152	AW1412P	AW1412PP	12.87 x 10.87	327 x 272
16146-12SC	16.00 x 14.00 x 6.00	406 x 356 x 152	AW1614P	AW1614PP	14.87 x 12.87	378 x 327

Type 12/13 Panel Encl.



Notes: Dimensions are in inches. Millimeters shown are for reference only. Data subject to change without notice.