



Optic Flood Light

Project Information

Job Name

Fixture Type 84 Watt LED Optic Flood Light

Catalog Number PFL84LED

Approved by

PFL84LED 84 Watt LED Optic Flood Light



SPECIFICATIONS:

	PFL84LED3K	PFL84LED
Lumens:	7,929	8,651
Watts:	78.98	78.47
Lumens/Watt:	100.39	110.25
CRI:	72.2	72.5
CCT:	3092	4565
LC Prod. ID:	PUINNXAA	P0000053W

Construction:

Designed for commercial and industrial applications, providing cooler operating temperatures, brighter light and longer LED life. Apertures for field or factory installed photocontrol. Available with heavy duty trunion or slipfitter.

Optics:

Atlas optic flood lights utilize individual lenses for maximum light intensity. These lenses are made of optical grade acrylic. This guarantees more footcandles, less glare and less wasted light.

Thermal Management:

Atlas optic flood lights are designed as a complete system to optimize LED life and light output. The Patent Pending thermal stacking heat removal technology extracts heat from within the housing moving it away from LEDs and components. The lower temperatures result in long LED life (200,000+ hrs) and component life and also allows for higher light output.

Listings:

Luminaire is certified to UL/cUL Standards for Wet Locations DesignLights Consortium qualified luminaire, eligible for rebates from DLC member utilities.

AC Input:

120/208/240/277 V

Driver:

Constant current, Class 2, 120-277 VAC, 50-60 Hz
High Efficiency – min. 88%
Off-State Power: 0 Watts
0-10 V Dimming

LEDs:

3000K | 4500K CCT
Epoxy Guard™ protective conformal coated boards
Atlas LEDs provide higher lumen output, greater energy efficiency and more reliable fixture performance. They are tested and binned at 700mA which is the actual operating current used in Atlas LED luminaires, giving a better representation of actual performance.

Reduced Glare:

Positioning of the LED modules within the housing result in light directed to desired locations and reduces offensive light.

Testing:

Atlas LED luminaires have been tested by an independent laboratory in accordance with IESNA LM-79 & LM-80.

Warranty: Five-year limited warranty

Options:

Photo Control - For factory installed 120V button photo control add suffix PC to part number.
480 Volt - For 480V add suffix 4 to part number.

Alpha Series LED
PROFESSIONAL GRADE



PFL84LED Design is Protected by US Patent D740,997

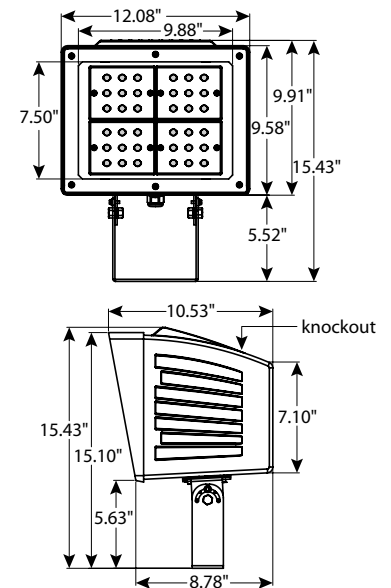


Optional Factory Installed Slipfitter PFL84LEDS

DIMENSIONS:

Weight: (with Trunion) 20 lbs.
(with Slipfitter) 21 lbs.

EPA: 1.00



¹LED Life Span Based Upon LM-80 Test Results

Rebates and Incentives are available in many areas. Contact an Atlas Representative for more information.

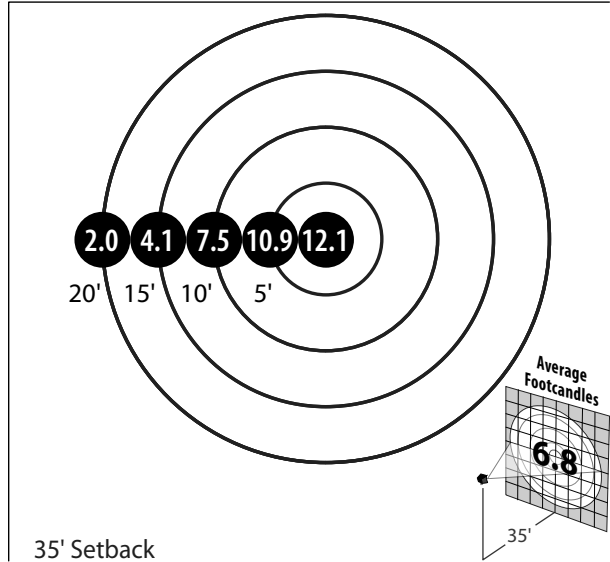
ATLAS LIGHTING PRODUCTS, INC.

PO BOX 2348 | BURLINGTON, NC 27216

800-849-8485 | FAX: 336-227-0110 | www.atlasled.com

*The majority of Atlas Lighting Products are assembled in USA facilities by an American Workforce utilizing both Domestic and Foreign components. Meets Buy American requirements within the ARRA.

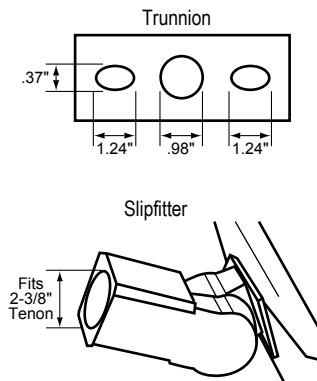
PHOTOMETRIC



ENERGY SAVINGS

LED		HID			ANNUAL SAVINGS
WATTAGE	ANNUAL COST	SOURCE WATTAGE	TOTAL WATTAGE USED	ANNUAL COST	
84	\$37	200	232	\$128	\$91
84	\$37	250	285	\$150	\$113
84	\$37	400	458	\$226	\$189

MOUNTING DETAIL



To Order Use Part #: **PFL84LEDS**