

LED FLOOD & SITE LIGHTING















OPTIC FLOODS | EXTRA-WIDE FLOODS | SITE LIGHTER PRO

Delivering Quality Light Better



Atlas
Lighting Products®

CONVERSION CHART & TABLE OF CONTENTS




HOUSING SIZE		HID REPLACEMENT	DISTRIBUTION (SEE FACING PAGE)			
			WIDE			EXTRA-WIDE
	SMALL pages 4-5	50W MH			13W LED	
		100W MH			27W LED	
	MEDIUM pages 6-7	175W MH	43W LED		43W LED	
		250W MH			64W LED	
	LARGE pages 8-9	250W MH	84W LED		86W LED	
		400W MH	126W LED		102W LED	
	LARGE page 10	400W MH	162W LED			
		400W MH	190W LED			
	EXTRA LARGE page 11	1000W MH	250W LED			
		1000W MH	300W LED			
		1000W MH	400W LED			



BRACKETS & ACCESSORIES
page 13



UNIVERSAL BRACKET SYSTEM
pages 26-27

HOUSING SIZE	HID REPLACEMENT	WATTAGE	RECOMMENDED MOUNTING HT.
	250W MH	110W LED	14' - 18'
	400W MH	145W LED	18' - 22'
	400W MH	175W LED	20' - 30'
	1000W MH	270W LED	25' - 35'
	1000W MH	360W LED	25' - 40'
	175W MH	43W LED	12' - 14'
	250W MH	64W LED	16' - 18'

CHOOSING THE RIGHT LIGHT

Optic Flood

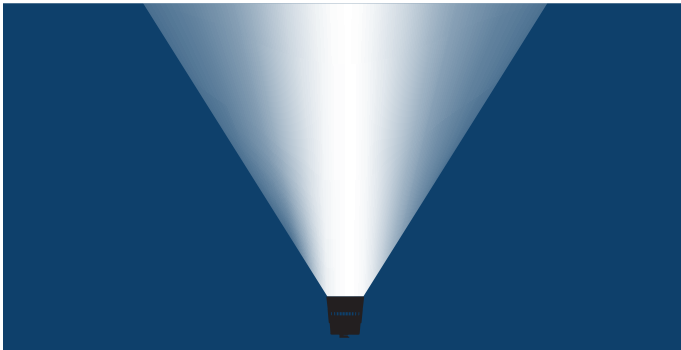


Optical Grade
Acrylic Lenses

22 - 400
WATTS

The optic flood lights uses individual acrylic lenses, which are the most efficient way to control and deliver LED lumens to the desired target. These high quality acrylic lenses guarantee more footcandles, less glare and less wasted light.

Narrow Pattern - Greater Intensity



Applications:



Extra-Wide Flood

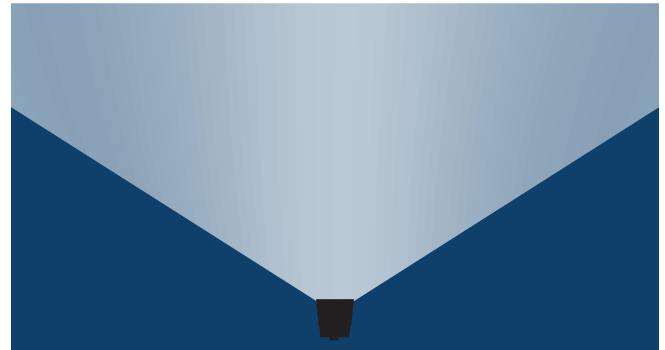


Optics Free

13 - 102
WATTS

The extra-wide flood lights are designed to offer an extra wide distribution – measured as NEMA 7x7 – replacing existing metal halide fixtures from 70 to 400 watts. Producing up to 142 LpW, they produce a smooth, even and uniform light pattern.

Wider Pattern - Smooth & Even Coverage



Applications:



ORDERING FORMAT

PFM	XW	43LED	[]	[]	[]
HOUSING SIZE PFS - Small PFM - Medium PFL - Large PFL2G - Large (2nd Generation) PFXL2G - Extra Large (2nd Generation)	DISTRIBUTION Blank - Wide (with Optics) XW - Extra-Wide	WATTAGE 13LED = 13 System Watts* 22LED = 22 System Watts† 27LED = 27 System Watts* 43LED = 43 System Watts† 64LED = 64 System Watts† 84LED = 84 System Watts† 86LED = 86 System Watts*	MOUNTING Blank - Knuckle (13-64) Blank - Trunnion (84-400) S - Slipfitter	COLOR TEMP. 3K - 3000K Blank - 4500K	CONTROLS PC - Button Photocontrol 120V PM - Button Photocontrol 208-277V

†Wide only
*Extra-wide only

MOUNTING OPTIONS

See page 13 for available brackets



**Knuckle
Mount**
13-64 WATTS



**Trunnion
Mount**
84-400 WATTS



**Slipfitter
Mount**
84-400 WATTS

SMALL HOUSING - 13-27 WATT EXTRA-WIDE FLOOD

REPLACES UP TO 100W MH



Design is Protected
by U.S. Patent
No. D710,530

6.36"Wx9.36"Hx7.53"D
7 LBS

- Extra-Wide Distribution
- Smooth, even and uniform light pattern

ORDERING INFORMATION

CATALOG #	LUMENS	WATTAGE	LPW	CRI	CCT	DIMMING	VOLTS	REPLACES UP TO
PFSXW13LED	1,765	13 Watt LED	124	83	4500K	0-10V	120-277	70W MH
PFSXW13LED3K	1,593	13 Watt LED	125	81	3000K	0-10V	120-277	70W MH
PFSXW27LED	3,311	27 Watt LED	126	83	4500K	0-10V	120-277	100W MH
PFSXW27LED3K	3,085	27 Watt LED	119	81	3000K	0-10V	120-277	100W MH

OPTIONS

ADD SUFFIX #	DESCRIPTION	ADD SUFFIX #	DESCRIPTION
PC	120V Photocontrol	PM	208-277V Photocontrol

CATALOG #	DESCRIPTION
500-082BZ	Post-Top Fitter



ENERGY SAVINGS

LED		HID			
WATTAGE	ANNUAL COST	SOURCE WATTAGE	TOTAL WATTAGE USED	ANNUAL COST	ANNUAL SAVINGS
13	\$6	50	72	\$52	\$46
13	\$6	70	90	\$59	\$53
27	\$12	50	72	\$52	\$40
27	\$12	70	90	\$59	\$47
27	\$12	100	129	\$77	\$65

APPLICATIONS:



200,000+ HOURS



*The majority of Atlas Lighting Products are assembled in USA facilities by an American Workforce utilizing both Domestic and Foreign components

SMALL HOUSING - 22 WATT OPTIC FLOOD

REPLACES UP TO 100W MH



- Optical Grade Individual Acrylic Lenses
- More Footcandles Delivered to the Target
- Less Glare and Wasted Light



6.36"Wx9.36"Hx7.53"D
7 LBS

Design is Protected
by U.S. Patent
No. D710,530

ORDERING INFORMATION

CATALOG #	LUMENS	WATTAGE	LPW	CRI	CCT	DIMMING	VOLTS	REPLACES UP TO
PFS22LED	2,166	22 Watt LED	104	72	4500K	0-10V	120-277	100W MH
PFS22LED3K	1,978	22 Watt LED	93	73	3000K	0-10V	120-277	100W MH



OPTIONS

ADD SUFFIX #	DESCRIPTION	ADD SUFFIX #	DESCRIPTION
PC	120V Photocontrol	PM	208-277V Photocontrol

CATALOG #	DESCRIPTION
500-082BZ	Post-Top Fitter



APPLICATIONS:



ENERGY SAVINGS

LED		HID			
WATTAGE	ANNUAL COST	SOURCE WATTAGE	TOTAL WATTAGE USED	ANNUAL COST	ANNUAL SAVINGS
22	\$10	50	72	\$52	\$42
22	\$10	70	90	\$59	\$49
22	\$10	100	129	\$77	\$67



*The majority of Atlas Lighting Products are assembled in USA facilities by an American Workforce utilizing both Domestic and Foreign components

MEDIUM HOUSING - 43-64 WATT EXTRA-WIDE FLOOD

REPLACES UP TO 250W MH



Design is Protected
by U.S. Patent
No. D772,474

9.36"Wx10.36"Hx7.57"D
10 LBS

- Extra-Wide Distribution
- Smooth, even and uniform light pattern

ORDERING INFORMATION

CATALOG #	LUMENS	WATTAGE	LPW	CRI	CCT	DIMMING	VOLTS	REPLACES UP TO
PFMXW43LED	5,334	43 Watt LED	133	83	4500K	0-10V	120-277	175W MH
PFMXW43LED3K	5,382	43 Watt LED	133	81	3000K	0-10V	120-277	175W MH
PFMXW64LED	7,384	64 Watt LED	121	82	4500K	0-10V	120-277	400W MH
PFMXW64LED3K	7,836	64 Watt LED	125	81	3000K	0-10V	120-277	400W MH

OPTIONS

ADD SUFFIX #	DESCRIPTION	ADD SUFFIX #	DESCRIPTION
PC	120V Photocontrol	4	480V Driver
PM	208-277V Photocontrol		

CATALOG #	DESCRIPTION
500-082BZ	Post-Top Fitter



ENERGY SAVINGS

LED		HID			
WATTAGE	ANNUAL COST	SOURCE WATTAGE	TOTAL WATTAGE USED	ANNUAL COST	ANNUAL SAVINGS
43	\$19	150	185	\$100	\$81
43	\$19	175	210	\$112	\$93
64	\$28	250	285	\$150	\$122

APPLICATIONS:



*The majority of Atlas Lighting Products are assembled in USA facilities by an American Workforce utilizing both Domestic and Foreign components

MEDIUM HOUSING - 43 WATT OPTIC FLOOD

REPLACES UP TO 175W MH



- Optical Grade Individual Acrylic Lenses
- More Footcandles Delivered to the Target
- Less Glare and Wasted Light



9.36"Wx10.36"Hx7.57"D
10 LBS

Design is Protected by U.S. Patent No. D772,474

ORDERING INFORMATION

CATALOG #	LUMENS	WATTAGE	LPW	CRI	CCT	DIMMING	VOLTS	REPLACES UP TO
PFM43LED	4,398	43 Watt LED	108	72	4500K	0-10V	120-277	175W MH
PFM43LED3K	4,010	43 Watt LED	97	73	3000K	0-10V	120-277	175W MH

OPTIONS

ADD SUFFIX #	DESCRIPTION	ADD SUFFIX #	DESCRIPTION
PC	120V Photocontrol	4	480V Driver
PM	208-277V Photocontrol		



CATALOG #	DESCRIPTION
500-082BZ	Post-Top Fitter



ENERGY SAVINGS

LED		HID			
WATTAGE	ANNUAL COST	SOURCE WATTAGE	TOTAL WATTAGE USED	ANNUAL COST	ANNUAL SAVINGS
43	\$19	150	185	\$100	\$81
43	\$19	175	210	\$112	\$93

APPLICATIONS:



*The majority of Atlas Lighting Products are assembled in USA facilities by an American Workforce utilizing both Domestic and Foreign components

LARGE HOUSING - 86-102 WATT EXTRA-WIDE FLOOD

REPLACES UP TO 400W MH



- Extra-Wide Distribution
- Smooth, even and uniform light pattern

TRUNNION:
12.08"Wx15.53"Hx10.53"D
20 LBS

SLIPFITTER:
12.08"Wx16.83"Hx10.53"D
21 LBS

Design is Protected
by U.S. Patent
No. D740,997

ORDERING INFORMATION

CATALOG #	LUMENS	WATTAGE	LPW	CRI	CCT	DIMMING	VOLTS	REPLACES UP TO
PFLXW86LED	11,250	86 Watt LED	132	82	4500K	0-10V	120-277	400W MH
PFLXW86LED3K	11,160	86 Watt LED	129	81	3000K	0-10V	120-277	400W MH
PFLXW102LED	14,060	102 Watt LED	142	83	4500K	0-10V	120-277	400W MH
PFLXW102LED3K	13,390	102 Watt LED	133	81	3000K	0-10V	120-277	400W MH

For Slipfitter mount see ordering format on page 3

OPTIONS

ADD SUFFIX #	DESCRIPTION	ADD SUFFIX #	DESCRIPTION
PC	120V Photocontrol	4	480V Driver
PM	208-277V Photocontrol		

ENERGY SAVINGS

LED		HID			
WATTAGE	ANNUAL COST	SOURCE WATTAGE	TOTAL WATTAGE USED	ANNUAL COST	ANNUAL SAVINGS
86	\$38	250	285	\$150	\$112
86	\$38	400	458	\$226	\$188
102	\$45	250	285	\$150	\$105
102	\$45	400	458	\$226	\$181



APPLICATIONS:



200,000+ HOURS



*The majority of Atlas Lighting Products are assembled in USA facilities by an American Workforce utilizing both Domestic and Foreign components

LARGE HOUSING - 84-126 WATTS OPTIC FLOOD

REPLACES UP TO 400W MH



- Optical Grade Individual Acrylic Lenses
- More Footcandles Delivered to the Target
- Less Glare and Wasted Light



Design is Protected
by U.S. Patent
No. D740,997

TRUNNION:
12.08"Wx15.53"Hx10.53"D
20 LBS

SLIPFITTER:
12.08"Wx16.83"Hx10.53"D
21 LBS

ORDERING INFORMATION

CATALOG #	LUMENS	WATTAGE	LPW	CRI	CCT	DIMMING	VOLTS	REPLACES UP TO
PFL84LED	8,651	84 Watt LED	110	73	4500K	0-10V	120-277	400W MH
PFL84LED3K	7,929	84 Watt LED	100	72	3000K	0-10V	120-277	400W MH
PFL126LED	14,340	126 Watt LED	119	70	4500K	0-10V	120-277	400W MH
PFL126LED3K	12,270	126 Watt LED	101	71	3000K	0-10V	120-277	400W MH

For Slipfitter mount see ordering format on page 3



OPTIONS

ADD SUFFIX #	DESCRIPTION	ADD SUFFIX #	DESCRIPTION
PC	120V Photocontrol	4	480V Driver
PM	208-277V Photocontrol		

ENERGY SAVINGS

LED			HID		
WATTAGE	ANNUAL COST	SOURCE WATTAGE	TOTAL WATTAGE USED	ANNUAL COST	ANNUAL SAVINGS
84	\$37	250	285	\$150	\$113
84	\$37	400	458	\$226	\$189
126	\$55	250	285	\$150	\$95
126	\$55	400	458	\$226	\$171

APPLICATIONS:



*The majority of Atlas Lighting Products are assembled in USA facilities by an American Workforce utilizing both Domestic and Foreign components

LARGE HOUSING - 162-190 WATT OPTIC FLOOD

REPLACES UP TO 400W MH



- High Performance Optics Deliver More Footcandles
- Optical Grade Individual Acrylic Lenses
- Attractive Architectural Styling
- Hooded Glare Shield Face Frame



ORDERING INFORMATION

CATALOG #	LUMENS	WATTAGE	LPW	CRI	CCT	DIMMING	VOLTS	REPLACES UP TO
PFL2G162LED	17,720	162 Watt LED	112	71	4500K	0-10V	120-277	400W MH
PFL2G162LED3K	16,140	162 Watt LED	102	70	3000K	0-10V	120-277	400W MH
PFL2G190LED	19,870	190 Watt LED	106	71	4500K	0-10V	120-277	400W MH
PFL2G190LED3K	18,160	190 Watt LED	97	71	3000K	0-10V	120-277	400W MH

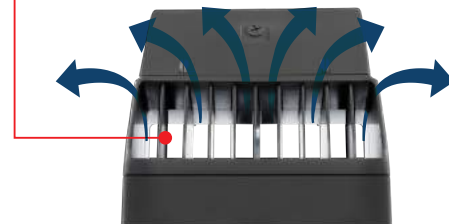
For Slipfitter mount see ordering format on page 3

OPTIONS

ADD SUFFIX #	DESCRIPTION	ADD SUFFIX #	DESCRIPTION
PC	120V Photocontrol	4	480V Driver
PM	208-277V Photocontrol		

Cooling Fins Separate Driver & LED Housing

- Eliminating Cross Contamination of Heat



Airflow Assists in Cooling of both LEDs & Driver

Removable Gasketed Back for Easy Driver Access



ENERGY SAVINGS

LED		HID			
WATTAGE	ANNUAL COST	SOURCE WATTAGE	TOTAL WATTAGE USED	ANNUAL COST	ANNUAL SAVINGS
162	\$71	250	285	\$150	\$79
162	\$71	400	458	\$226	\$155
190	\$83	250	285	\$150	\$67
190	\$83	400	458	\$226	\$143

APPLICATIONS:



*The majority of Atlas Lighting Products are assembled in USA facilities by an American Workforce utilizing both Domestic and Foreign components

EXTRA-LARGE HOUSING - 250-400 WATTS

OPTIC FLOOD

REPLACES UP TO 1000W MH



- High Performance Optics Deliver More Footcandles
- Optical Grade Individual Acrylic Lenses
- Attractive Architectural Styling
- Hooded Glare Shield Face Frame



ORDERING INFORMATION

CATALOG #	LUMENS	WATTAGE	LPW	CRI	CCT	DIMMING	VOLTS	REPLACES UP TO
PFXL2G250LED	26,017	250 Watt LED	104	71	4500K	0-10V	120-277	400W MH
PFXL2G300LED	33,185	300 Watt LED	111	72	4500K	0-10V	120-277	1000W MH
PFXL2G400LED	40,217	400 Watt LED	101	72	4500K	0-10V	120-277	1000W MH

Available for shipment in September - place your pre-order today

For Slipfitter mount see ordering format on page 3

Cooling Fins Separate Driver & LED Housing

- Eliminating Cross Contamination of Heat



Airflow Assists in Cooling of both LEDs & Driver

Removable Gasketed Back for Easy Driver Access



OPTIONS

ADD SUFFIX #	DESCRIPTION	ADD SUFFIX #	DESCRIPTION
PC	120V Photocontrol	4	480V Driver
PM	208-277V Photocontrol		

ENERGY SAVINGS

LED		HID			
WATTAGE	ANNUAL COST	SOURCE WATTAGE	TOTAL WATTAGE USED	ANNUAL COST	ANNUAL SAVINGS
250	\$109	1000	1080	\$513	\$404
300	\$131	1000	1080	\$513	\$382
400	\$175	1000	1080	\$513	\$338

APPLICATIONS:

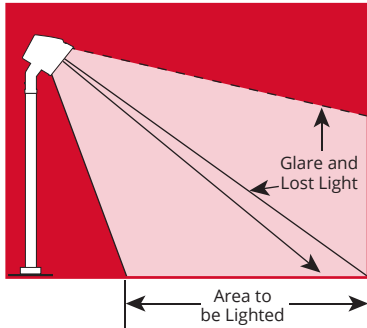


*The majority of Atlas Lighting Products are assembled in USA facilities by an American Workforce utilizing both Domestic and Foreign components

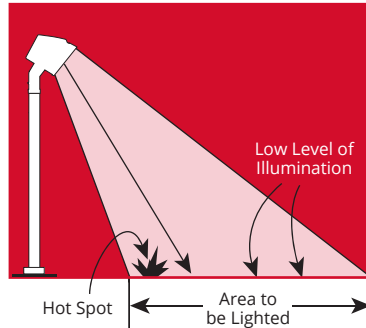
FLOOD LIGHTING

Optical Design

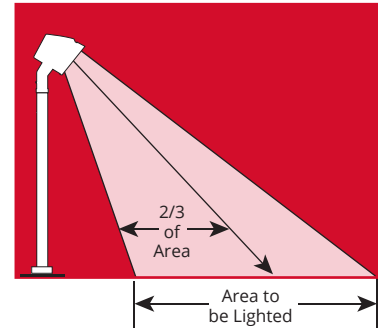
Atlas flood lights have optical designs that provide their best performance when aimed within a certain range.



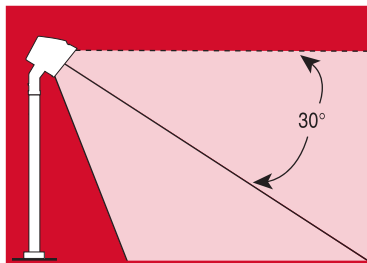
When luminaire is aimed at the far side, light loss is substantial.



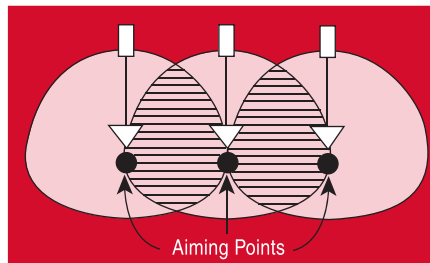
When luminaire is aimed at the near side, the far side will not receive adequate illumination.



A good "rule of thumb" is to aim the luminaire two thirds the distance across the area to be illuminated.



To provide visual comfort on all floods aim luminaire at least 30° below the horizontal.



Acceptable uniformity is achieved when flood lights are aimed in such a way that the isofootcandle curves of adjacent luminaires overlap.

Flag Lighting

NOTES:

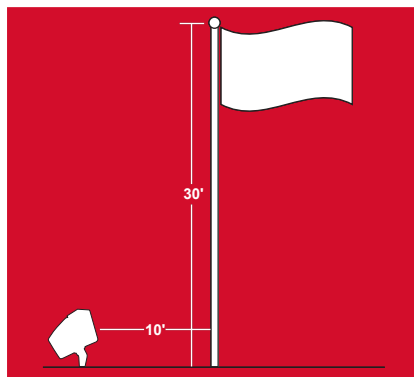
- Flags should be illuminated approximately 5 times its surrounding ambient level.
- Reduce glare and conceal the light source by using a fixture equipped with a glare shield.

WATTAGE

POLE HEIGHT	RECOMMENDED WATTAGE
20'	22 Watt LED
25'	43 Watt LED
30'	43 Watt LED
35'	43 Watt LED
40'	84 Watt LED
50'	126 Watt LED
60'	162 Watt LED

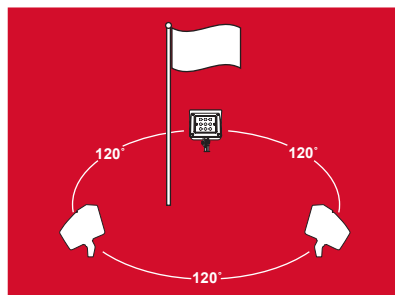
Wide floods are recommended

SET BACK



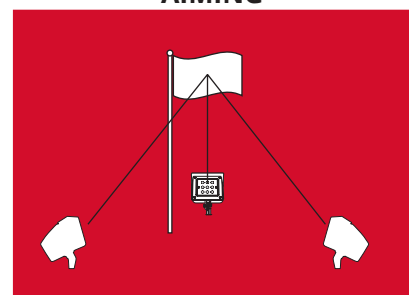
Fixtures should be installed with a set back of 1/3 to 1/2 of the height of the pole.

SPACING



Three fixtures are recommended to provide adequate coverage on all sides of the flag.

AIMING



Fixtures should be aimed at the center of the flag.

LED & HID BRACKETS & ACCESSORIES

Glare Shields for Site Lighter Pro



CATALOG#	DESCRIPTION	FINISH
SGSU16	Side Shield for SLP16	Bronze
SGSU22	Side Shield for SLP22	Bronze
BGS16	Back Glare Shield for SLP16	Bronze
BGS22	Back Glare Shield for SLP22	Bronze

RSR Brackets



CATALOG#	DESCRIPTION	FINISH	WT/LBS.
500-015BZ	2 In Line RSR Bracket	Bronze	20

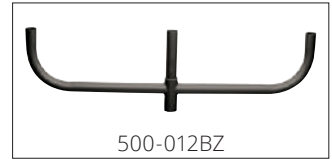
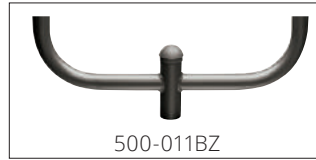
Configuration	EPA Rating		
	Bracket	PFL	PFXL
DOUBLE	1.92	3.92	4.50

Side Mount Brackets



CATALOG#	DESCRIPTION	FINISH
500-018BZ	Right Angle Bracket (for Wall)	Bronze
500-050BZ	Right Angle Bracket (for Pole)	Bronze
500-054BZ	4" Side Tenon Mount Bracket	Bronze
500-055BZ	8" Side Tenon Mount Bracket	Bronze
500-060G	Side Angle Bracket	Galvanized
500-SSFM4	Single Square Flood Mount Bracket for 4" Pole	Bronze

Bullhorn Brackets



CATALOG#	DESCRIPTION	FINISH	WT/LBS.
500-011BZ	2 In Line Bullhorn	Bronze	20
500-012BZ	3 In Line Bullhorn	Bronze	31
500-052BZ	3 @ 120° Bullhorn	Bronze	33
500-022BZ	4 @ 90° Bullhorn	Bronze	43

Configuration	EPA Rating		
	Bracket	PFL	PFXL
DOUBLE	1.35	3.35	3.93
TRIPLE @ 120°	2.0	4.0	4.58
TRIPLE	2.5	4.5	5.08
QUAD @ 90°	1.79	3.79	4.37

Miscellaneous Brackets



CATALOG#	DESCRIPTION	FINISH
500-006G	Cross Arm Bracket-Steel	Galvanized
500-007G	Single Flood Light Bracket	Galvanized
500-082BZ	Post-Top Fitter for Knuckle	Bronze
320-035BZ	Slipfitter for Trunnion Mount	Bronze
280-032	Adjustable Post Top Fitter	Bronze
500-009BZ	4" Drop In Tenon	Bronze
500-010BZ	5" Drop In Tenon	Bronze
500-066BZ	6" Drop In Tenon	Bronze

LED SITE LIGHTER PRO

200,000+ HOURS



Housing Made of 100% Pure Aluminum with Zero Remelt

Low Profile

External Air Flow Fins Dissipate Heat

Design is Protected by US Patent D754,385

Optional 7-Pin Controls Receptacle

22"
270-360 Watts

Surge Protector

Separate Driver Compartment for Cooler Operation & Longer Driver Life

Advanced Optics with Multiple Distributions

- Type III
- Type IV
- Type V
- Forward Throw
- SLX Combo
- Rotatable Optics

Dimming

100+ Lumens per Watt



Labor Saving - Quick Mount Universal Bracket System Fits Any Pole



PHILIPS
ADVANCE

Quality LED Drivers

COLOR OPTIONS



Bronze



Black



Silver



White

OPTICS MATTER



16"
110-175 Watts



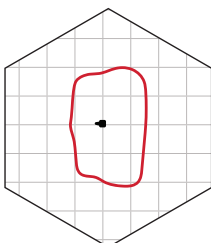
Light Bar Technology



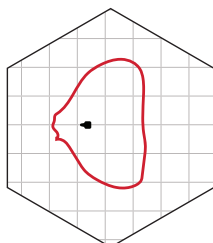
Internal Glare Shield Available

- Optical Grade Individual Lenses
- Delivers Increased Footcandles
- Less Glare / Less Wasted Light

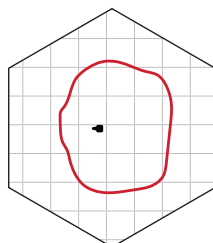
MULTIPLE DISTRIBUTION PATTERNS - ROTATABLE OPTICS



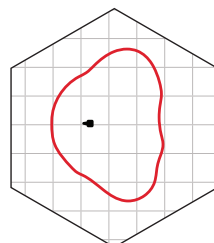
TYPE III



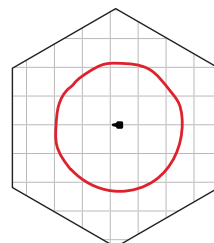
TYPE IV



TYPE FT



SLX COMBO



TYPE V

ORDERING FORMAT

SLP16	175LED		SC	4K		U		
PRODUCT SERIES SLP16 = Site Lighter Pro 16" SLP22 = Site Lighter Pro 22"		FIXTURE BRACKET blank = Square Pole RP = Round Pole		COLOR TEMP. 3K = 3000K 4K = 4500K		VOLTAGE U = 120-277 4 = 480		OPTIONS PR = PC Receptacle SP = Surge Protection IC = Internal Cut-Off Shield
	WATTAGE 110LED = 110 System Watts 145LED = 145 System Watts 175LED = 175 System Watts 270LED = 270 System Watts 360LED = 360 System Watts		OPTIC T4 = Type IV T5 = Type V TF = Forward Throw SC = SLX Combo <i>Rotatable Optics: Add R for Right Facing; Add L for Left Facing</i>		CONTROLS Blank = Dimming M = Motion		COLOR Blank = Bronze S = Anodized Silver B = Black W = White	

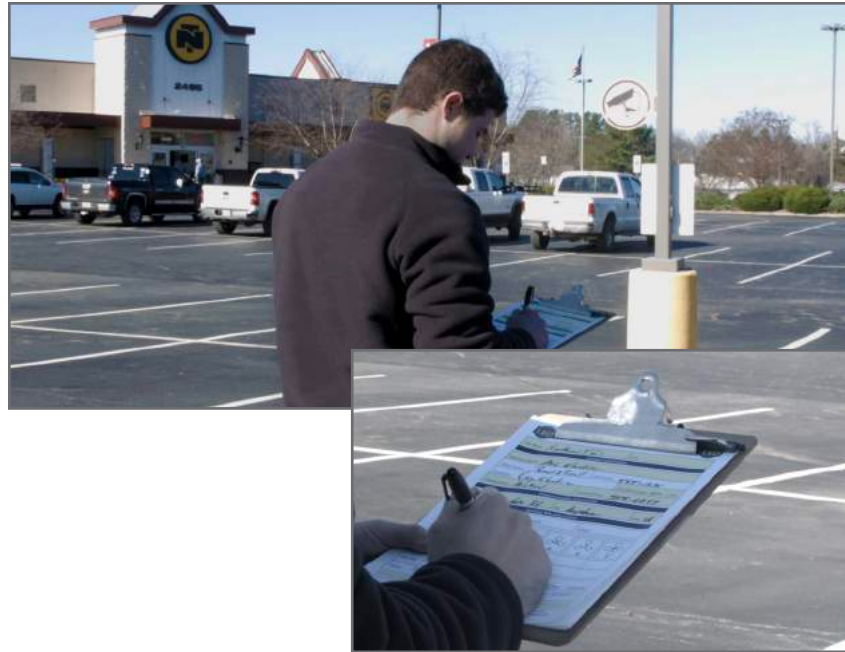
RISK FREE WAY TO TRY BEFORE YOU BUY **SMART START LIGHTING PROGRAM**

Getting Started:

- Contact Atlas Sales Rep
- Provide Job Name, Address and Existing Fixture Wattage(s)
- Atlas Obtains Other Needed Information

Atlas Prepares Smart Start Proposal:

- Recommends Fixtures For Smart Start Installation
- Provides Initial Job Quotation
- Estimated Rebate(s) Where Available
- Annual Savings & Cost of Waiting
- "Satisfaction Guaranteed" Certificate



Place the Smart Start Order:

- Receive Deferred Billing
- Contractor Installs Smart Start Fixtures
- Receives Labor Allowance*
- Customer Sees Performance
- Makes Decision To Purchase Job or Return Fixtures Per Guarantee

Place the Complete Job Order:

- Job Order Shipped Within Days
- Detailed Job Installation Packet Included
- Fixtures Coded For Easy Installation
- Installation Hotline Available

*Consult Atlas Representative for more information.

	Quantity	Product		
	3	500-015SL		
D	6	PFXL162LEDS		
A1	9	SLP22270LEDR		
C	3	SLP22270LEDRPT54KUSL	22" 270W AREA LIGHT TYPE 5 UNIVERSAL ROUND SILVER	
B	16	SLP22270LEDRPT54KURSL	22" 270W AREA LIGHT TYPE 5 RND UNIVERSAL - ROUND SILVER	
	11	500-RPT90SL	TENON TOP BRACKET SILVER	

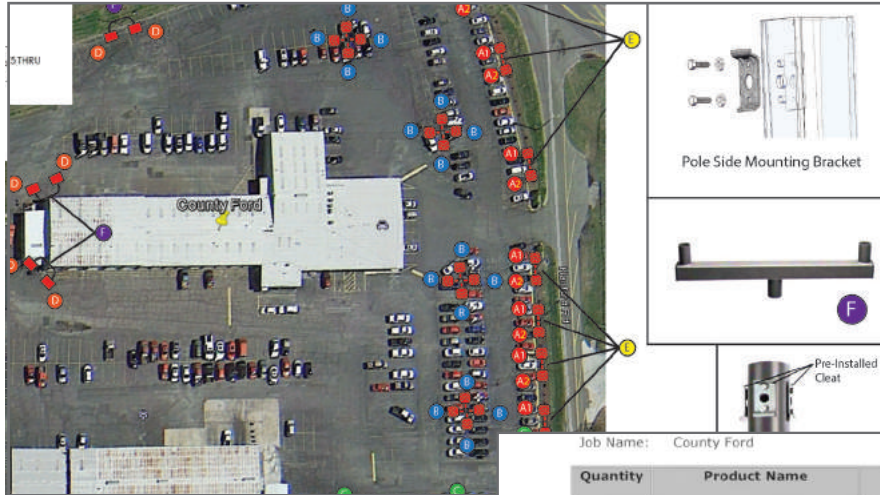


Know Exactly Where to Put Each Fixture

Atlas Site Lighter Pro Orders Come Color and Key Coded

Detailed Job Installation Packet Shows:

- Fixture Locations
- Fixture Types
- Brackets & Locations



"Atlas just makes it easy. Everything is tagged and coded, from the paperwork to the product so we know where it all goes. It saves us time, which saves us money."
Matt Snyder
CONTRACTOR



Coded Cartons

Bill of Material

Job Name: County Ford

Quantity	Product Name	Description	QA Initials	ENG I
3	500-015SL	2 IN LINE RSR BRACKET, SILVER		
6	PFXL162LEDSSL	162W ALPHA FLOOD w/ SLIPFITTER SILVER		
9	SLP22270LEDRPT4L4KUSL	22" 270W AREA LIGHT TYPE 4 UNIVERSAL ROUND SILVER (LEFT ROTATED)		
3	SLP22270LEDRPT54KUSL	22" 270W AREA LIGHT TYPE 5 UNIVERSAL ROUND SILVER		
16	SLP22270LEDRPT54KURSL	22" 270W AREA LIGHT TYPE 5 RND UNIVERSAL - ROUND SILVER		
11	500-RPT90SL	TENON TOP BRACKET SILVER		
8	SLP22270LEDRPT4R4KUSL	22" 270W AREA LIGHT TYPE 4 UNIVERSAL ROUND SILVER (RIGHT ROTATED)		



Each Fixture is Coded

- Even after fixtures are taken out of cartons they are easily identifiable



Fixtures with Rotated Optics

Those fixtures with rotated optics are marked to easily see the light distribution



Save Time & Eliminate Installation Mistakes

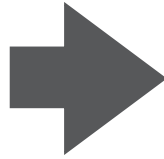
LED SITE LIGHTER PRO



250W MH

HID

SOURCE WATTAGE	TOTAL WATTAGE USED	ANNUAL COST
250	290	\$177



110W LED

LED

WATTAGE	ANNUAL COST	ANNUAL SAVINGS
110	\$48	\$129



14' - 18' Rec. Mounting Height

ENERGY SAVINGS

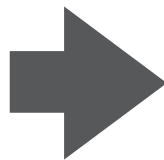
*INCLUDING MAINTENANCE



400W MH

HID

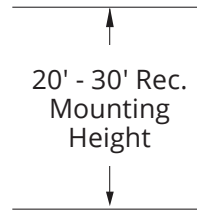
SOURCE WATTAGE	TOTAL WATTAGE USED	ANNUAL COST
400	458	\$251



175W LED

LED

WATTAGE	ANNUAL COST	ANNUAL SAVINGS
175	\$77	\$174



20' - 30' Rec. Mounting Height

ENERGY SAVINGS

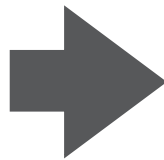
*INCLUDING MAINTENANCE



1000W MH

HID

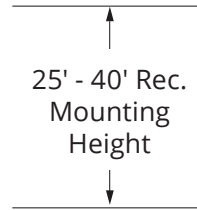
SOURCE WATTAGE	TOTAL WATTAGE USED	ANNUAL COST
1000	1080	\$523



360W LED

LED

WATTAGE	ANNUAL COST	ANNUAL SAVINGS
360	\$158	\$365



25' - 40' Rec. Mounting Height

ENERGY SAVINGS

*INCLUDING MAINTENANCE

Quick & Easy Installation



Remove existing fixture. Install cleat (or bracket) to pole.



Slide fixture onto cleat.



Tighten bottom bolts and complete wiring.

REPLACES UP TO 250 W MH

110 WATT LED SITE LIGHTER PRO



Lower Mounting Heights

- Easy to install, easy to maintain
- Optical Grade Individual Lenses
- Delivers Increased Footcandles
- Less Glare & Less Wasted Light

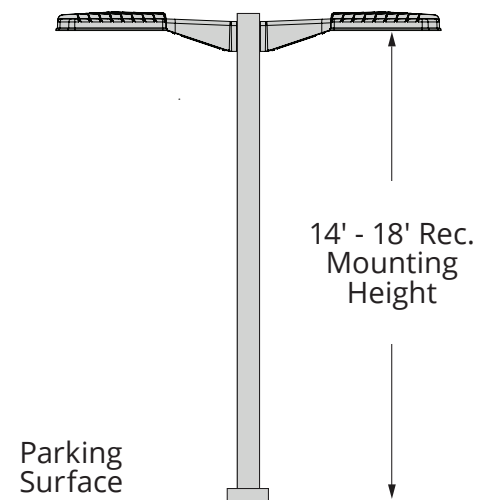


Design is Protected by U.S. Patent No. D754,385

16.18"Wx6.10"Hx26.75"D
20 LBS • 0.61 EPA

ORDERING INFORMATION

CATALOG #	LUMENS	WATTAGE	LPW	CRI	OPTICS	CCT	DIMMING	VOLTS
SLP16110LEDT34KU	11,350	110 Watt LED	103	73	Type III	4500K	0-10V	120-277
SLP16110LEDT44KU	11,510	110 Watt LED	111	71	Type IV	4500K	0-10V	120-277
SLP16110LEDT54KU	10,910	110 Watt LED	99	73	Type V	4500K	0-10V	120-277
SLP16110LEDTF4KU	12,780	110 Watt LED	117	70	Forward Throw	4500K	0-10V	120-277
SLP16110LEDSC4KU	11,020	110 Watt LED	100	73	Combo	4500K	0-10V	120-277



OPTIONS

ADD SUFFIX #	DESCRIPTION	ADD SUFFIX #	DESCRIPTION
M	Motion	SP	Surge Protection
4	480V Driver	IC	Internal Cut-Off Shield ²
PR	PC Receptacle		² For T3 & T4 Optics only

ENERGY SAVINGS

LED		HID			
WATTAGE	ANNUAL COST	SOURCE WATTAGE	TOTAL WATTAGE USED	ANNUAL COST	ANNUAL SAVINGS
110	\$48	250	290	\$177	\$129

¹The following qualify for DesignLights Consortium Premium: SLP16110LEDTF4KU (All colors/options), all other luminaires are DesignLights Consortium qualified. All are eligible for rebates from DLC member utilities.



*The majority of Atlas Lighting Products are assembled in USA facilities by an American Workforce utilizing both Domestic and Foreign components

145 WATT LED SITE LIGHTER PRO

REPLACES UP TO 400W MH

Mid to Low Mounting Heights
in Commercial Applications



Design is Protected
by U.S. Patent
No. D754,385

16.18"Wx6.10"Hx26.75"D
20 LBS • 0.61 EPA

- Easy to install, easy to maintain
- Optical Grade Individual Lenses
- Delivers Increased Footcandles
- Less Glare & Less Wasted Light

ORDERING INFORMATION

CATALOG #	LUMENS	WATTAGE	LPW	CRI	OPTICS	CCT	DIMMING	VOLTS
SLP16145LEDT34KU	16,850	145 Watt LED	121	71	Type III	4500K	0-10V	120-277
SLP16145LEDT44KU	14,690	145 Watt LED	106	71	Type IV	4500K	0-10V	120-277
SLP16145LEDT54KU	15,730	145 Watt LED	113	71	Type V	4500K	0-10V	120-277
SLP16145LEDTF4KU	16,040	145 Watt LED	116	71	Forward Throw	4500K	0-10V	120-277
SLP16145LEDSC4KU	16,040	145 Watt LED	116	71	Combo	4500K	0-10V	120-277

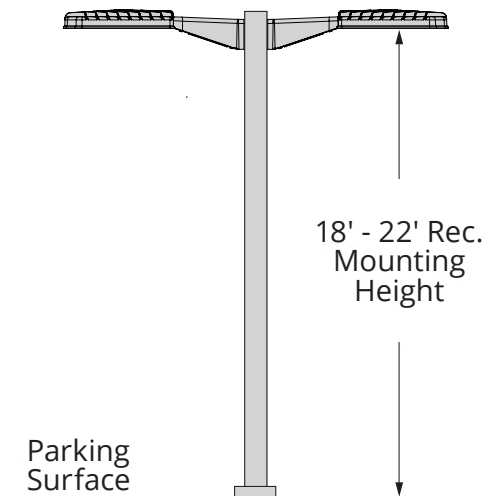
Rotatable Optics: Add R for Right Facing; Add L for Left Facing

OPTIONS

ADD SUFFIX #	DESCRIPTION	ADD SUFFIX #	DESCRIPTION
M	Motion	SP	Surge Protection
4	480V Driver	IC	Internal Cut-Off Shield
PR	PC Receptacle		

ENERGY SAVINGS

LED		HID			
WATTAGE	ANNUAL COST	SOURCE WATTAGE	TOTAL WATTAGE USED	ANNUAL COST	ANNUAL SAVINGS
145	\$64	400	458	\$251	\$187



¹The following qualify for DesignLights Consortium Premium: SLP16145LEDT34KU (All colors/options), all other luminaires are DesignLights Consortium qualified. All are eligible for rebates from DLC member utilities.

*The majority of Atlas Lighting Products are assembled in USA facilities by an American Workforce utilizing both Domestic and Foreign components

REPLACES UP TO 400W MH

175 WATT LED SITE LIGHTER PRO



Mid to Low Mounting Heights
in Retail Applications

- Easy to install, easy to maintain
- Optical Grade Individual Lenses
- Delivers Increased Footcandles
- Less Glare & Less Wasted Light



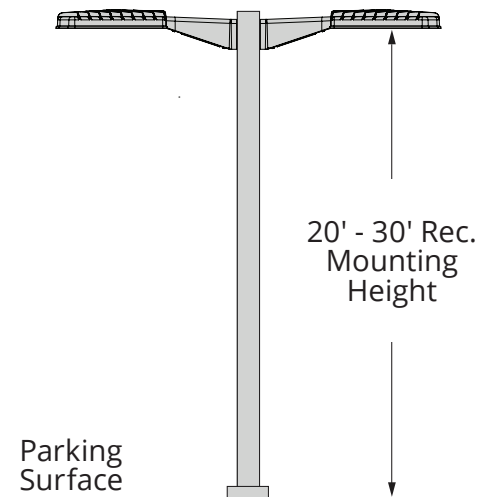
Design is Protected
by U.S. Patent
No. D754,385

16.18"Wx6.10"Hx26.75"D
20 LBS • 0.61 EPA

ORDERING INFORMATION

CATALOG #	LUMENS	WATTAGE	LPW	CRI	OPTICS	CCT	DIMMING	VOLTS
SLP16175LEDT44KU	18,670	175 Watt LED	117	69	Type IV	4500K	0-10V	120-277
SLP16175LEDT43KU	16,400	175 Watt LED	103	71	Type IV	3000K	0-10V	120-277
SLP16175LEDT54KU	20,530	175 Watt LED	128	69	Type V	4500K	0-10V	120-277
SLP16175LEDT53KU	17,850	175 Watt LED	112	71	Type V	3000K	0-10V	120-277
SLP16175LEDTF4KU	20,730	175 Watt LED	129	69	Forward Throw	4500K	0-10V	120-277
SLP16175LEDTF3KU	18,480	175 Watt LED	116	71	Forward Throw	3000K	0-10V	120-277
SLP16175LEDSC4KU	21,040	175 Watt LED	131	69	Combo	4500K	0-10V	120-277
SLP16175LEDSC3KU	18,480	175 Watt LED	116	71	Combo	3000K	0-10V	120-277

Rotatable Optics: Add R for Right Facing; Add L for Left Facing



OPTIONS

ADD SUFFIX #	DESCRIPTION	ADD SUFFIX #	DESCRIPTION
M	Motion	SP	Surge Protection
4	480V Driver	IC	Internal Cut-Off Shield
PR	PC Receptacle		

ENERGY SAVINGS

LED		HID			
WATTAGE	ANNUAL COST	SOURCE WATTAGE	TOTAL WATTAGE USED	ANNUAL COST	ANNUAL SAVINGS
175	\$77	400	458	\$251	\$174

¹The following qualify for DesignLights Consortium Premium: SLP16175LEDT44KU (All colors/options), SLP16175LEDT54KU (All colors/options), SLP16175LEDTF4KU (All colors/options) and SLP16175LEDSC4KU (All colors/options). All other luminaires are DesignLights Consortium qualified. All are eligible for rebates from DLC member utilities.

*The majority of Atlas Lighting Products are assembled in USA facilities by an American Workforce utilizing both Domestic and Foreign components



270 WATT LED SITE LIGHTER PRO

REPLACES UP TO 1000W MH

Mid to Low Mounting Heights
in Commercial Applications



Design is Protected
by U.S. Patent
No. D754,385

20.68"Wx7.25"Hx33.37"D
31 LBS • 0.82 EPA

- Easy to install, easy to maintain
- Optical Grade Individual Lenses
- Delivers Increased Footcandles
- Less Glare & Less Wasted Light

ORDERING INFORMATION

CATALOG #	LUMENS	WATTAGE	LPW	CRI	OPTICS	CCT	DIMMING	VOLTS
SLP22270LEDT34KU	31,270	270 Watt LED	118	72	Type III	4500K	0-10V	120-277
SLP22270LEDT44KU	27,160	270 Watt LED	103	71	Type IV	4500K	0-10V	120-277
SLP22270LEDT54KU	29,450	270 Watt LED	111	71	Type V	4500K	0-10V	120-277
SLP22270LEDTF4KU	29,580	270 Watt LED	111	71	Forward Throw	4500K	0-10V	120-277
SLP22270LEDSC4KU	30,280	270 Watt LED	114	71	Combo	4500K	0-10V	120-277

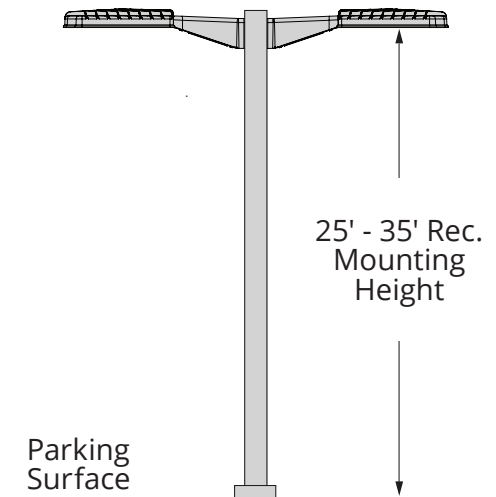
Rotatable Optics: Add R for Right Facing; Add L for Left Facing

OPTIONS

ADD SUFFIX #	DESCRIPTION	ADD SUFFIX #	DESCRIPTION
M	Motion	SP	Surge Protection
4	480V Driver	IC	Internal Cut-Off Shield
PR	PC Receptacle		

ENERGY SAVINGS

LED		HID			
WATTAGE	ANNUAL COST	SOURCE WATTAGE	TOTAL WATTAGE USED	ANNUAL COST	ANNUAL SAVINGS
270	\$118	1000	1080	\$523	\$405



¹The following qualify for DesignLights Consortium Premium: SLP16145LEDT34KU (All colors/ options), all other luminaires are DesignLights Consortium qualified. All are eligible for rebates from DLC member utilities.

*The majority of Atlas Lighting Products are assembled in USA facilities by an American Workforce utilizing both Domestic and Foreign components

REPLACES UP TO 1000W MH

360 WATT LED SITE LIGHTER PRO



Mid to High Mounting Heights
in Automotive Applications

- Easy to install, easy to maintain
- Optical Grade Individual Lenses
- Delivers Increased Footcandles
- Less Glare & Less Wasted Light



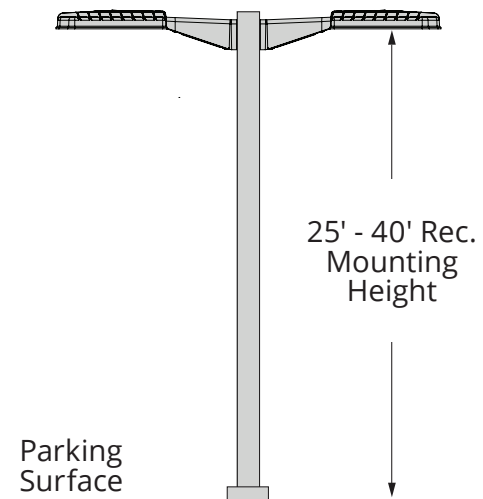
Design is Protected
by U.S. Patent
No. D754,385

20.68"Wx7.25"Hx33.37"D
31 LBS • 0.82 EPA

ORDERING INFORMATION

CATALOG #	LUMENS	WATTAGE	LPW	CRI	OPTICS	CCT	DIMMING	VOLTS
SLP22360LEDT44KU	36,530	360 Watt LED	103	73	Type IV	4500K	0-10V	120-277
SLP22360LEDT43KU	34,920	360 Watt LED	102	71	Type IV	3000K	0-10V	120-277
SLP22360LEDT54KU	41,590	360 Watt LED	122	70	Type V	4500K	0-10V	120-277
SLP22360LEDT53KU	38,090	360 Watt LED	111	71	Type V	3000K	0-10V	120-277
SLP22360LEDTF4KU	42,300	360 Watt LED	124	70	Forward Throw	4500K	0-10V	120-277
SLP22360LEDTF3KU	38,610	360 Watt LED	113	71	Forward Throw	3000K	0-10V	120-277
SLP22360LEDSC4KU	43,020	360 Watt LED	126	70	Combo	4500K	0-10V	120-277
SLP22360LEDSC3KU	38,970	360 Watt LED	113	71	Combo	3000K	0-10V	120-277

Rotatable Optics: Add R for Right Facing; Add L for Left Facing



OPTIONS

ADD SUFFIX #	DESCRIPTION	ADD SUFFIX #	DESCRIPTION
M	Motion	SP	Surge Protection
4	480V Driver	IC	Internal Cut-Off Shield
PR	PC Receptacle		

ENERGY SAVINGS

LED		HID			
WATTAGE	ANNUAL COST	SOURCE WATTAGE	TOTAL WATTAGE USED	ANNUAL COST	ANNUAL SAVINGS
360	\$158	1000	1080	\$523	\$365

¹The following qualify for DesignLights Consortium Premium: SLP22360LEDT54KU (All colors/options), SLP22360LEDTF4KU (All colors/options) and SLP22360LEDSC4KU (All colors/options). SLP22360LEDT44KU (All colors/options) are DesignLights Consortium qualified. All are eligible for rebates from DLC member utilities.

*The majority of Atlas Lighting Products are assembled in USA facilities by an American Workforce utilizing both Domestic and Foreign components



LED LOW WATTAGE SITE LIGHTING SOLUTION REPLACES UP TO 175W MH



9.29"Wx6.25"Hx9.06"D
10 LBS

Design is Protected
by U.S. Patent No. D772,474

Low Cost Option -
Lower Mounting Heights



- Low Cost Option - Lower Mounting Heights
- Eliminates Glare & Offensive Light
- Less Wasted Light
- More Footcandles on the Ground
- Labor Saving: Quick and Secure Mounting

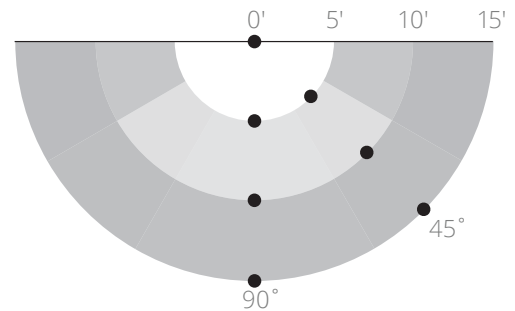
ORDERING INFORMATION

CATALOG #	LUMENS	WATTAGE	LPW	CRI	CCT	DIMMING	VOLTS	REC. MNT. HT.
PLM43LED	5,334	43 Watt LED	133	82	4500K	0-10V	120-277	12FT - 14FT
PLM43LED3K	5,382	43 Watt LED	133	81	3000K	0-10V	120-277	12FT - 14FT

OPTIONS

ADD SUFFIX #	DESCRIPTION	ADD SUFFIX #	DESCRIPTION
PC	120V Photocontrol	PM	208-277V Photocontrol

FOOTCANDLES ON THE GROUND



12' Mtg Height

	90°	45°
0'	15.8	15.8
5'	13.9	12.5
10'	6.9	6.6
15'	3.3	3.1

14' Mtg Height

	90°	45°
0'	11.6	11.6
5'	10.6	9.8
10'	6.3	5.9
15'	3.3	3.2

Average **8.4** Average **7.0**

ENERGY SAVINGS

LED		HID			
WATTAGE	ANNUAL COST	SOURCE WATTAGE	TOTAL WATTAGE USED	ANNUAL COST	ANNUAL SAVINGS
43	\$19	100	129	\$77	\$58
43	\$19	150	185	\$100	\$81
43	\$19	175	210	\$112	\$93



*The majority of Atlas Lighting Products are assembled in USA facilities by an American Workforce utilizing both Domestic and Foreign components

REPLACES UP TO 250W MH SITE LIGHTING SOLUTION



Low Cost Option -
Lower Mounting Heights

- Low Cost Option - Lower Mounting Heights
- Eliminates Glare & Offensive Light
- Less Wasted Light
- More Footcandles on the Ground
- Labor Saving: Quick and Secure Mounting



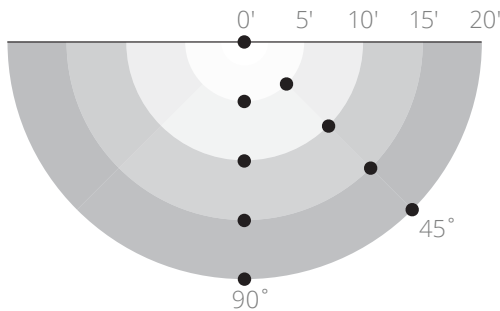
9.29"Wx6.25"Hx9.06"D
10 LBS

Design is Protected
by U.S. Patent No. D772,474

ORDERING INFORMATION

CATALOG #	LUMENS	WATTAGE	LPW	CRI	CCT	DIMMING	VOLTS	REC. MNT. HT.
PLM64LED	7,384	64 Watt LED	121	84	4500K	0-10V	120-277	16FT - 18FT
PLM64LED3K	7,836	64 Watt LED	125	81	3000K	0-10V	120-277	16FT - 18FT

FOOTCANDLES ON THE GROUND



	16' Mtg Height		18' Mtg Height	
	90°	45°	90°	45°
0'	13.8	13.8	10.9	10.9
5'	13.0	12.2	10.5	10.0
10'	8.7	8.2	7.6	7.3
15'	5.3	4.9	5.0	4.7
20'	3.2	3.0	3.2	3.0

Average **7.7** Average **6.7**

OPTIONS

ADD SUFFIX #	DESCRIPTION	ADD SUFFIX #	DESCRIPTION
PC	120V Photocontrol	PM	208-277V Photocontrol

ENERGY SAVINGS

LED		HID			
WATTAGE	ANNUAL COST	SOURCE WATTAGE	TOTAL WATTAGE USED	ANNUAL COST	ANNUAL SAVINGS
64	\$28	200	232	\$128	\$100
64	\$28	250	285	\$150	\$122



*The majority of Atlas Lighting Products are assembled in USA facilities by an American Workforce utilizing both Domestic and Foreign components

FITS ANY POLE UNIVERSAL BRACKET SYSTEM

Standard Fixture Brackets

SQUARE POLES

SLP16-SQBZ
Standard on
16" Housing



SLP21-SQBZ
Standard on
22" Housing

Fits all square poles 4" and larger

Square Pole Fixture
Bracket
& Mounting Hardware
Included with Fixture



ROUND POLES



781-403S-R

Fits all round poles 3.125"-5" in diameter.
Contact Atlas for larger poles.



781-403R-1

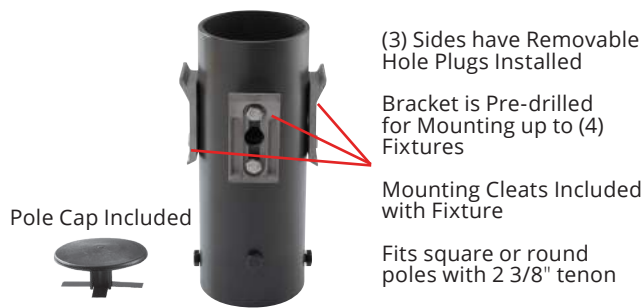
Easy Field
Change for
Round Pole
Mounting

Round Pole Fixture Bracket Can
Be Factory or Field Installed

Mounting Hardware
Included with Fixture



Square or Round Pole w/ Tenon - Up to 4 @ 90°



Pole Cap Included

(3) Sides have Removable
Hole Plugs Installed

Bracket is Pre-drilled
for Mounting up to (4)
Fixtures

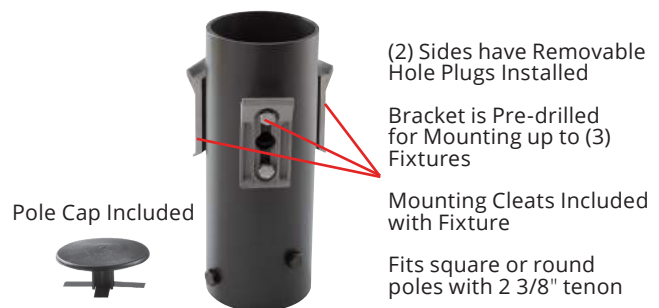
Mounting Cleats Included
with Fixture

Fits square or round
poles with 2 3/8" tenon

See Figure 1 for Fixture Configuration

CATALOG#	DESCRIPTION	FINISH
500-RPT90BZ	For Tenon Up to 4 @ 90°	Bronze

Square or Round Pole w/ Tenon - Up to 3 @ 120°



Pole Cap Included

(2) Sides have Removable
Hole Plugs Installed

Bracket is Pre-drilled
for Mounting up to (3)
Fixtures

Mounting Cleats Included
with Fixture

Fits square or round
poles with 2 3/8" tenon

See Figure 2 for Fixture Configuration

CATALOG#	DESCRIPTION	FINISH
500-RPT120BZ	For Tenon 3 @ 120°	Bronze

Round Pole Top Adapter - Up to 4 @ 90°



Pole Cap Included

(4) Mounting
Cleats Included
with Fixture

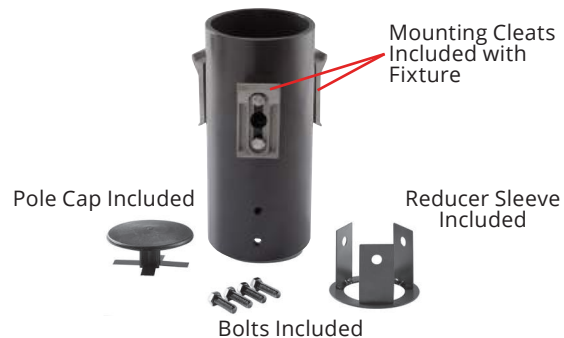
Reducer Sleeve
Included

Bolts Included

See Figure 1 for Fixture Configuration

CATALOG#	DESCRIPTION	FINISH
500-RPT243490BZ	2.3" - 3.4" Pole Top O.D.	Bronze
500-RPT35490BZ	3.5" - 4" Pole Top O.D.	Bronze

Round Pole Top Adapter - Up to 3 @ 120°



Pole Cap Included

Mounting Cleats
Included with
Fixture

Reducer Sleeve
Included

Bolts Included

See Figure 2 for Fixture Configuration


CATALOG#	DESCRIPTION	FINISH
500-RPT2434120BZ	2.3" - 3.4" Pole Top O.D.	Bronze
500-RPT354120BZ	3.5" - 4" Pole Top O.D.	Bronze

Note: All brackets are available in bronze, black, silver or white finishes.

UNIVERSAL BRACKET SYSTEM

FITS ANY POLE

Square Pole Tenon Adapter - Up to 4 @ 90°



Removable Top Bracket Cover Included

Mounting Cleat(s) Included with Fixture(s)

(3) Sides have Removable Hole Plugs Installed






Bracket is Pre-drilled for Mounting up to (4) Fixtures

Fits square pole with 2 3/8" tenon

See Figure 1 for Fixture Configuration

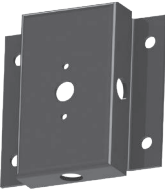

CATALOG#	DESCRIPTION	FINISH
500-SPTBZ	For Square Poles w/ Tenon	Bronze

Fixture Configurations - Up to 4 @ 90°

Figure 1	Configuration	16" EPA	22" EPA
	Single	0.6	0.8
	2 @ 90°	1.4	1.8
	2 @ 180°	0.7	0.9
	3 @ 90°	2.1	2.7
	4 @ 90°	2.1	2.7

Wall Brackets

Wooden Pole Bracket



Mounts to wood poles 8"-12" in diameter

CATALOG#	DESCRIPTION	FINISH
500-WBBZ	Wall Mount Bracket	Bronze
500-WPBBZ	Wooden Pole Bracket	Bronze

Note: Not to be used as junction box.




Spoke Arm Brackets

Angled Bracket

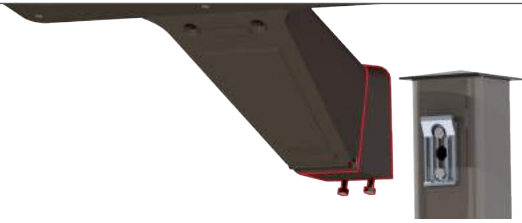



CATALOG#	DESCRIPTION	FINISH
500-SAB16	Spoke Arm Bracket for SLP 16"	Bronze
500-SAB21	Spoke Arm Bracket for SLP 22"	Bronze
500-AAB	Angled Bracket for SLP	Bronze

Fixture Configurations - Up to 3 @ 120°

Figure 2	Configuration	16" EPA	22" EPA
	Single	0.6	0.8
	2 @ 120°	1.4	1.8
	3 @ 120°	2.1	2.7

15° Angle Bracket



CATALOG#	DESCRIPTION	FINISH
500-15ASQ	15° Angle Bracket for Square Pole	Bronze
500-15ARND	15° Angle Bracket for Round Pole	Bronze

Note: For SLP22 only - Must be factory installed



Scan QR code to view video of the Universal Bracket System

LED FLOOD & SITE LIGHTING

OPTIC FLOODS | EXTRA-WIDE FLOODS | SITE LIGHTER PRO

*Manufactured & Tested in the USA**



Atlas
Lighting Products®

PO BOX 2348 BURLINGTON, NC 27216
1406 S. MEBANE STREET BURLINGTON, NC 27215
800-849-8485 | FAX 336-227-0110
WWW.ATLASLED.COM

452-223C 073018



Scan QR CODE
to visit our website

CONNECT WITH US



*The majority of Atlas Lighting Products are assembled in USA facilities by an American Workforce utilizing both Domestic and Foreign components