

# Contender™ Series Factory Sealed Front Operated Tumbler Switches

## Explosionproof, Dust-Ignitionproof

Malleable Iron Body and Cover. Furnished with Internal Ground.

### NEC/CEC:

Class I, Division 1, Groups C, D  
Class I, Division 2, Group B\*, C, D  
Class II, Division 1 and 2, Groups E, F, G  
Class III  
NEMA 3, 7CD, 9EFG

### Applications

- Designed to prevent arcing of enclosed switches in ignitable atmospheres during connect and disconnect operation of lighting and light power loads.
- For use in classified areas where ignitable vapors, gases or highly combustible dusts are present.
- For installation in:
  - Chemical plants
  - Petrochemical plants
  - Refineries
  - Other process industries

### Features

- Enclosures have external mounting lugs for ease of mounting.
- Smooth, rounded integral bushing in each hub protects conductor insulation.
- Enclosures furnished with internal ground screw.
- 20 Amp and 30 Amp units available for use with 120-277 Vac.
- Smooth ground mating surfaces assure flame-tight joint between cover and mounting enclosure.
- Stainless steel hex head cap screws for attaching cover to mounting enclosure.
- Choice of front-operating or side rocker arm handle—each may be locked in ON or OFF position.
- Each handle has close-tolerance threaded stainless steel shaft to meet Explosionproof requirements.
- Enclosures furnished with internal ground screw.

### Options

- 1- or 2-gang copperfree (4/10 of 1% max.) aluminum bodies and covers available. Add suffix – **SA**.
- NPBRKT nameplate mounting bracket to make circuit description/identification easy.
  - Pre-drilled holes in bottom of bracket allow direct mounting to control stations with existing cover bolts.
  - Pre-drilled holes in middle of bracket allow mounting of customer's circuit identification nameplate; epoxy glue may also be used for mounting (phenolic nameplate not included).
  - Bracket eliminates costly field installation of drilling and tapping to accommodate circuit identification nameplate.
  - Brackets fit side-by-side on 2-, 3- and 4-gang boxes and 3-devices.

### Standard Materials

- Body and cover: malleable iron
- Handle: nylon 6/6
- Optional nameplate mounting bracket: corrosion resistant stainless steel

### Standard Finishes

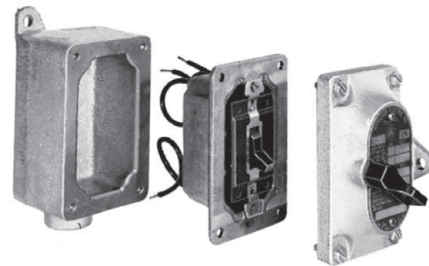
- Tumbler switches: triple-coat—(1) zinc electroplate, (2) chromate, and (3) epoxy powder coat

### NEC/CEC Certifications and Compliances

- UL Standards: UL 894, UL 1203
- CSA Standards: C22.2 No. 14
- cULus Listed: E10449



### Illustrated Features



Separate sealing chamber and switch construction.  
Used on 20 Amp 4-way and all 30 Amp models.



Explosionproof Labyrinth Switch  
Used on all 20 Amp models excluding 4-way.

♦ Indicates items which are suitable for Class I, Division 2, Group B. See product selection pages for suitable items.





# Contender™ Series Factory Sealed Front Operated Tumbler Switches

Explosionproof, Dust-Ignitionproof

Malleable Iron Body and Cover. Furnished with Internal Ground.

**NEC/CEC:**

Class I, Division 1, Groups C, D  
 Class I, Division 2, Group B♦, C, D  
 Class II, Division 1 and 2, Groups E, F, G  
 Class III  
 NEMA 3, 7CD, 9EFG

	Hub Size (Inches)	Switch	Dead-End	Catalog Number ①	Feed-Thru
<b>1-Gang</b>					
<b>20 Amp — 120-277 Vac ②</b>					
	1/2	1-Pole	EDS1129 ♦		EDSC1129 ♦
	1/2	2-Pole	EDS118 ♦		EDSC118 ♦
	1/2	3-Way	EDS1130 ♦		EDSC1130 ♦
	1/2	4-Way	EDS1140		EDSC1140
<b>Dead-End</b>	3/4	1-Pole	EDS2129 ♦		EDSC2129 ♦
	3/4	2-Pole	EDS218 ♦		EDSC218 ♦
	3/4	3-Way	EDS2130 ♦		EDSC2130 ♦
	3/4	4-Way	EDS2140		EDSC2140
	1	1-Pole	EDS3129 ♦		EDSC3129 ♦
	1	2-Pole	EDS318 ♦		EDSC318 ♦
	1	3-Way	EDS3130 ♦		EDSC3130 ♦
	1	4-Way	EDS3140		EDSC3140
<b>30 Amp — 120-277 Vac ③</b>					
<b>Feed-Thru</b>	1	1-Pole	EDS3591		EDSC3591
	1	2-Pole	EDS3593		EDSC3593
	1	3-Way	EDS3594		EDSC3594
<b>2-Gang</b>					
<b>20 Amp — 120-277 Vac ②</b>					
	1/2	1-Pole	EDS1229 ♦		EDSC1229 ♦
	1/2	2-Pole	EDS128 ♦		EDSC128 ♦
	1/2	3-Way	EDS1230 ♦		EDSC1230 ♦
	1/2	4-Way	EDS1240		EDSC1240
<b>Dead-End</b>	3/4	1-Pole	EDS2229 ♦		EDSC2229 ♦
	3/4	2-Pole	EDS228 ♦		EDSC228 ♦
	3/4	3-Way	EDS2230 ♦		EDSC2230 ♦
	3/4	4-Way	EDS2240		EDSC2240
	1	1-Pole	EDS3229 ♦		EDSC3229 ♦
	1	2-Pole	EDS328 ♦		EDSC328 ♦
	1	3-Way	EDS3230 ♦		EDSC3230 ♦
	1	4-Way	EDS3240		EDSC3240
<b>Feed-Thru</b>					

① For Aluminum body and cover, add suffix —SA.

② 20 Amp Switches 1 HP at 120 Vac and 2 HP at 240 Vac.

③ 30 Amp Switches 2 HP at 120 Vac or 240 Vac.

♦ Contains Factory Sealed Switch; no sealing chamber. Suitable for Class I, Division 2, Group B.

Appleton

CONTROLS: NEC/CEC EXPLOSIONPROOF CONTROL STATIONS AND SWITCHES

# Contender™ Series Factory Sealed Front Operated Tumbler Switches


Switch Covers and Sealing Chamber/Switch Assemblies. Explosionproof, Dust-Ignitionproof

Malleable Iron Body and Cover. Furnished with Internal Ground Screw.




**NE/CEC:**

- Class I, Division 1, Groups C, D
- Class I, Division 2, Group B♦, C, D
- Class II, Division 1 and 2, Groups E, F, G
- Class III
- NEMA 3, 7CD, 9EFG

## Factory Sealed Front Cover/Chamber/Switch Assembly

Switch Type	Catalog Number ①		
	20 Amp 120–277 Vac ②	30 Amp 120–277 Vac ③	
	1-Pole	EDSF21Q ♦	EDSF31Q
	2-Pole	EDSF22Q ♦	EDSF32Q
	3-Way	EDSF23WQ ♦	EDSF33WQ
	4-Way	EDSF24WQ	—

Cover/Switch Assembly

Switch Type	Front Cover Only	Catalog Number		
		EFSFR Switch ④	Factory Sealed LAB Switch	
	1-Pole	EDSF12	EFSFR1Q	LAB21
	2-Pole	EDSF12	EFSFR2Q	LAB22
 	3-Way	EDSF34W	EFSFR3WQ	LAB23W
	4-Way	EDSF34W	EFSFR4WQ	—


Front Cover Only

EFSFR Switch

Factory Sealed Switch Only

## Nameplate Mounting Bracket

Mount bracket between cover screws and cover. Do not mount bracket between ground joint flame path between cover and backbox.

Description	Catalog Number
 <p>Bracket with blank silver/black nameplate for Contender series</p>	<b>NPBRKT-CONT</b>
To order bracket with control station, add suffix <b>-NPBRKT</b> to end of catalog number.	
To order engraved nameplates, add desired markings after catalog number. Maximum of 2 lines with 12 characters (including spaces) per line.	

① With sealing chamber.

② 20 Amp Switches 1 HP at 120 Vac and 2 HP at 240 Vac.

③ 30 Amp Switches 2 HP at 120 Vac or 240 Vac.

④ Requires the use of Code recognized sealing method as part of installation.

♦ Contains Factory Sealed Switch; no sealing chamber. Suitable for Class I, Division 2, Group B.

# Contender™ Series Factory Sealed Front Operated Tumbler Switches

## EDS Mounting Bodies

Furnished with Internal Ground Screw.




**NEC/CEC:**

*Class I, Division 1, Groups C, D*

*Class I, Division 2, Group B, C, D*

*Class II, Division 1 and 2, Groups E, F, G*

*Class III*

	Type	Hub Size (Inches)	Catalog Number	
			Malleable Iron	Aluminum
<b>1-Gang</b>				
	Dead-End	1/2	EDS171	EDS171-SA
		3/4	EDS271	EDS271-SA
		1	EDS371	EDS371-SA
	Feed-Thru	1/2	EDSC171	EDSC171-SA
		3/4	EDSC271	EDSC271-SA
		1	EDSC371	EDSC371-SA
<b>2-Gang</b>				
	Dead-End	1/2	EDS172	EDS172-SA
		3/4	EDS272	EDS272-SA
		1	EDS372	EDS372-SA
	Feed-Thru	1/2	EDSC172	EDSC172-SA
		3/4	EDSC272	EDSC272-SA
		1	EDSC372	EDSC372-SA
<b>Tandem ①</b>				
	Dead-End	1/2	EDS177	EDS177-SA
		3/4	EDS277	EDS277-SA
		1	EDS377	EDS377-SA
	Feed-Thru	1/2	EDSC177	EDSC177-SA
		3/4	EDSC277	EDSC277-SA
		1	EDSC377	EDSC377-SA

Appleton®

CONTROLS: NEC/CEC EXPLOSIONPROOF CONTROL STATIONS AND SWITCHES

① For tandem bodies, external seals must be installed within 1.5 meters (5 feet) of each conduit entrance for Class I, Groups C and D.

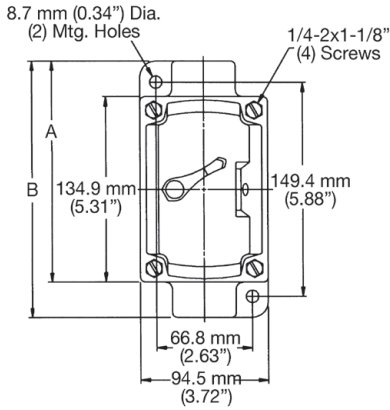
# Contender™ Series Factory Sealed Front Operated Tumbler Switches

**NEC/CEC:**

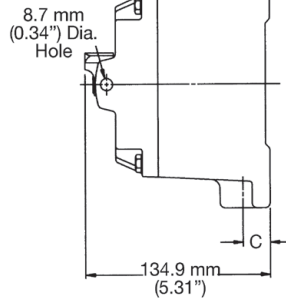
Class I, Division 1, Groups C, D  
 Class I, Division 2, Group B♦, C, D  
 Class II, Division 1 and 2, Groups E, F, G  
 Class III  
 NEMA 3, 7CD, 9EFG

**Dimensions in Millimeters (Inches)**

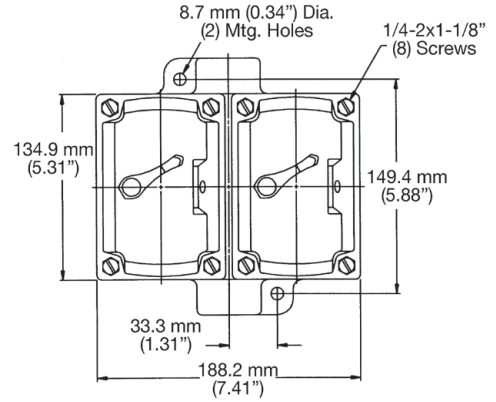
**Front Operated Tumbler Switches**



Front — 1-Gang



Side

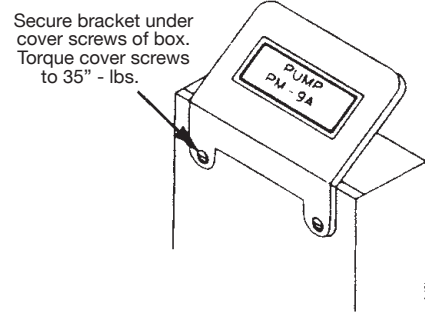
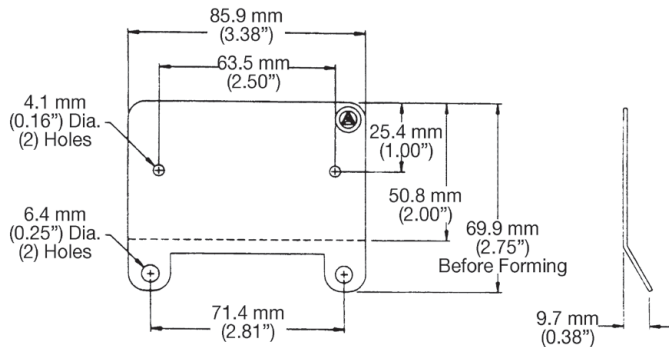


Front — 2-Gang

Hub Size (Inches)	Dimensions in Millimeters (Inches)		
	A	B	C
1/2 and 3/4	153.9 (6.06)	173.0 (6.81)	19.1 (0.75)
1	156.7 (6.17)	178.6 (7.03)	25.4 (1.00)

**Dimensions in Millimeters (Inches)**

**NPBRKT Nameplate Mounting Bracket**



♦ Indicates items which are suitable for Class I, Division 2, Group B. See product selection pages for suitable items.