

CPU and EFHU Fixture Hangers

Explosionproof, Dust-Ignitionproof

UNILETS® for use with Threaded Metal Conduit.

Class I, Division 1 and 2, Groups C, D
Class II, Division 1 and 2, Groups E, F, G
Class III

Applications

- Fixture hangers and accessories for suspension of industrial type HID, incandescent, and fluorescent lighting fixtures in Class I, Class II, and Class III classified locations.
- Suitable for use in areas where moisture, dust and corrosive atmospheres are present.
- CPU and EFHU, EFHC, have smooth, rounded integral bushing in each hub to protect conductor insulation.

Features

- Boxes have cast mounting lugs. Box and hub cover provide a complete assembly for suspending lighting fixtures in classified locations.
- CPU20 Hangers are used where fixture stem is less than 12" long or with EXJF, ESD, or ESS where fixture stem is more than 12" long.
- EFHU Flexible Hangers meet NEC Sec. 501 requirement for flexible suspension where fixture stem is more than 12" long.
- Cushion design protects against vibration, and swivel action (any direction up to 15° from vertical) protects fixture if accidentally struck.
- EFHU Flexible Cushion Hangers available in three spring ranges to support fixture weights of 12 to 48 lbs / 5.4kg to 21.8kg and 48 to 120 lbs / 21.8kg to 54.4kg.
- CB205 Connection Block available for connecting all wires without splices.
- Ground-joint mating surfaces assure flame-tight fit.
- Hanger has setscrew in stem hub to prevent fixture stem from turning.

Standard Materials

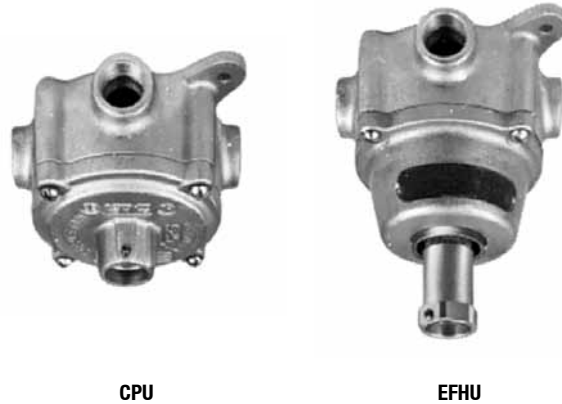
- CPU and EFHU: malleable iron or copperfree (4/10 of 1% max. aluminum
- EFHU flexible hanger: brass fixture stem hub assembly

Standard Finishes

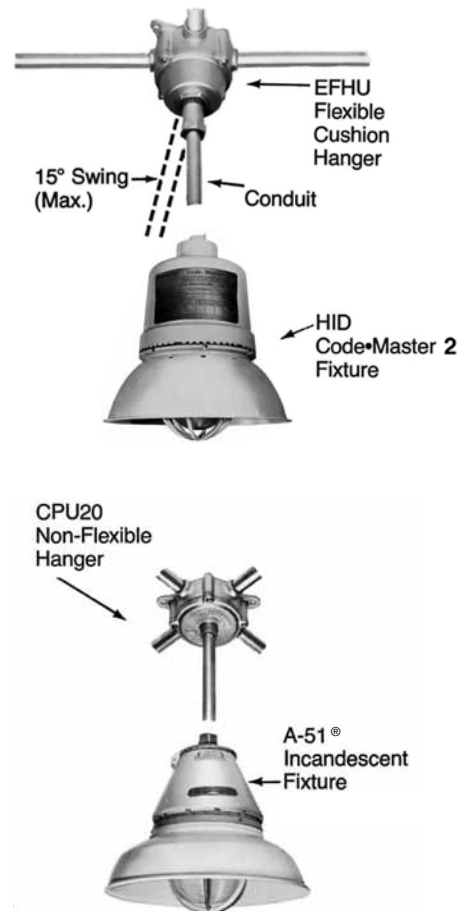
- CPU20 rigid fixture hangers body: triple-coat – (1) zinc electroplate, (2) chromate, and (3) epoxy powder coat
- CPU20 rigid fixture hangers cover: zinc electroplate and clear chromate
- Separate CPU20 covers: zinc electroplate and clear chromate.
- EFHU flexible cushion fixture hangers: triple-coat – (1) zinc electroplate, (2) chromate, and (3) epoxy powder coat

Certifications and Compliances

- UL Listed: E10444
- UL Standard: 886
- Suitable for Class I, Division 1 and 2, if installed in compliance with NEC 501-9(a)(b) and for Class II, Division 1 and 2, if in compliance with NEC 502-11(a)(b)



Illustrated Features











CPU and EFHU Fixture Hangers

Explosionproof, Dust-Ignitionproof

UNILETS® for use with Threaded Metal Conduit.

Class I, Division 1 and 2, Groups C, D
Class II, Division 1 and 2, Groups E, F, G
Class III

	Conduit Size (Inches)	Fixture Stem Size (Inches)	Support Weight (lbs/kg)	NEC Catalog Number		CSA Catalog Number 	
				Malleable Iron	Malleable Iron	Malleable Iron	Aluminum
CPU Fixture Hangers — Non-Flexible Type — Form 20							
	Furnished with cast mounting lugs, four threaded universal 3/4" hubs, four 3/4" to 1/2" reducers, and three 1/2" close-up plugs.						
	1/2 or 3/4	1/2	250/112.5	CPU20-50	CPU20-50CN	CPU20-50ACN	
	1/2 or 3/4	3/4	250/112.5	CPU20-75	CPU20-75CN	CPU20-75ACN	
EFHU Fixture Hangers — Flexible Cushion Type — Form 20							
	Furnished with cast mounting lugs, four threaded universal 3/4" hubs, four 3/4" to 1/2" reducers, and three 1/2" close-up plugs.						
	1/2 or 3/4	3/4	12 to 48/ 5.4 to 21.6	EFHU75-48	EFHU75-48CN	—	
	1/2 or 3/4	3/4	48 to 120/ 21.8 to 54.0	EFHU75-120	EFHU75-120CN	—	
CPU Fixture Hanger Covers — Non-Flexible Type — Form 20							
	Furnished with screws.						
		1/2	250/112.5	CPSK20-50	CPSK20-50CN	CPSK20-50ACN	
		3/4	250/112.5	CPSK20-75	CPSK20-75CN	CPSK20-75ACN	
EFHU Fixture Hanger Covers — Flexible Cushion Type — Form 20							
	Furnished with screws. 3/4" to 1/2" reducer supplied for 1/2" fixture stem.						
		3/4	12 to 48/ 5.4 to 21.6	EFH75-48	EFH75-48CN	—	
		3/4	48 to 120/ 21.8 to 54.0	EFH75-120	EFH75-120CN	—	
CPU and EFHU Connection Block Accessory							
	Mounts directly to drilled and tapped pads in CPU and EFHU hangers. Phenolic, with fastening strap and mounting screws.						
			5-Wire. 20-Amp, 300 V Max.	CB205	CB205CN	—	
CB205							
	CB205CN 						

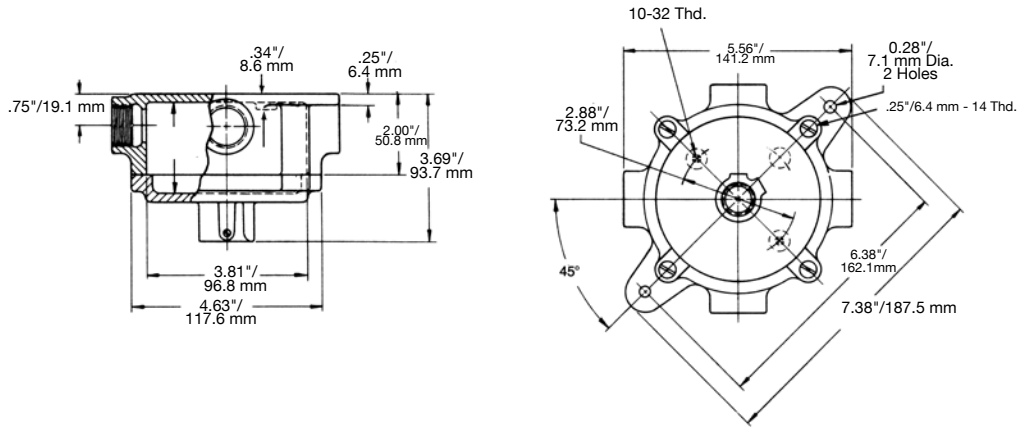
 CSA Approved.

CPU and EFHU Fixture Hangers Dimensions

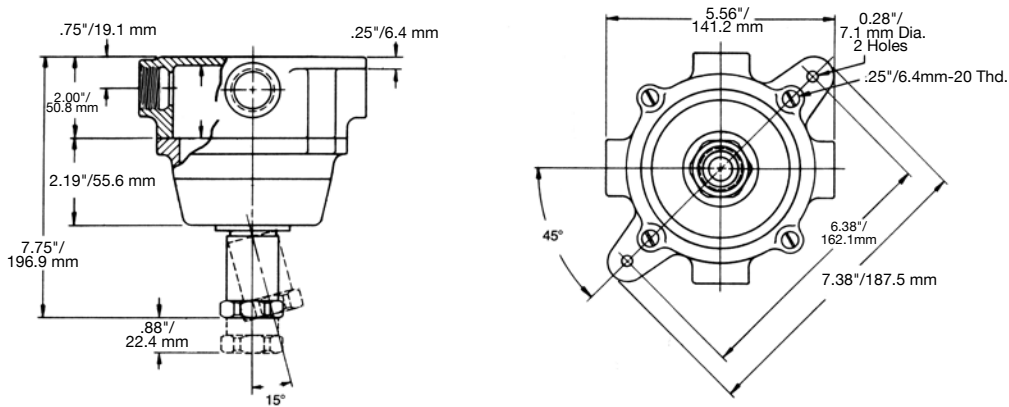
Explosionproof, Dust-Ignitionproof

UNILETS® for use with Threaded Metal Conduit.

CPU50 and CPU75 Rigid Fixture Hanger



EFHU Flexible Cushion Fixture Hanger



Lighting

LIGHTING: FLEXIBLE FIXTURE HANGERS — EXPLOSIONPROOF