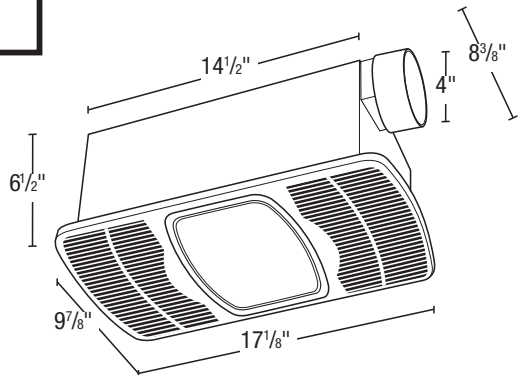




**SPECIFICATIONS**  
**AK55L**  
**HEATER WITH EXHAUST FAN**

**70 CFM/5.0 Sones @ 0.10" SP.**



- Grill**  
 White, polymeric grill (flame retardant ABS UL rated 94-5V) secured in place using 2 hex nuts that can be easily removed if necessary, dimensions - 17<sup>1</sup>/<sub>8</sub>" x 9<sup>7</sup>/<sub>8</sub>".
- Light Lens**  
 Moonstone glass lens, installed in a flip down lens holder. Secured in place using integral tabs.
- Blower Wheel**  
 Heater blower wheel - one piece metal electronically balanced, 3<sup>1</sup>/<sub>16</sub>" x 2" with 28 fins.  
  
 Ventilation blower wheel - one piece polymeric electronically balanced, 4<sup>5</sup>/<sub>8</sub>" x 1" with 10 fins.
- Motors**  
 Heater motor - Heavy duty, plug in 2 pole motor. Life time lubrication, thermally protected.  
 Rated 120 volts, 60 hz.  
  
 Ventilation motor - Heavy duty, plug in 2 pole motor. Life time lubrication, thermally protected.  
 Rated 120 volts, 60 hz.
- Heater Housing**  
 23 gauge galvanized steel housing. Dimensions 14<sup>1</sup>/<sub>2</sub>" x 8<sup>3</sup>/<sub>8</sub>" x 6<sup>1</sup>/<sub>2</sub>".
- Heating Element**  
 Ceramic heating element bonded to large heat transfer surface allows heating at very low operating temperature. Self regulating design provides 1,350 Watts – 4,600 Btu.

- Duct**  
 4" round, zinc plated metal collar adapter with aluminum backdraft damper.
- Ventilating Area**  
 For bathrooms up to 70 sq. ft. For other rooms up to 85 sq. ft.
- Lamping Information**  
 Up to 100 watt incandescent capacity, type A lamp required.
- Unit Mounting**  
 Designed for ceilings insulated to R-40. Designed to mount in ceilings with at least 7<sup>1</sup>/<sub>2</sub>" of clearance. The unit will mount between joists (with 16" centers) or butted up against a joist. The housing will mount through drywall thickness up to <sup>3</sup>/<sub>4</sub>", with a rough in opening of 14<sup>3</sup>/<sub>4</sub>" x 8<sup>5</sup>/<sub>8</sub>".
- Single Pack Shipping Info**  
 Box Dim: 21<sup>1</sup>/<sub>8</sub>" x 11<sup>1</sup>/<sub>4</sub>" x 9<sup>3</sup>/<sub>4</sub>"  
 UPC: 0-8316290100-2  
 Shipping Weight: 16.09 lbs.

**EXPANDED PERFORMANCE**

|                       | Static Pressure (inches of w.g.) |      |     |      |     |      |     | Sones @ .1 SP | Fan Speed RPM | Maximum Fan Watts | Amps |
|-----------------------|----------------------------------|------|-----|------|-----|------|-----|---------------|---------------|-------------------|------|
|                       | 0                                | 0.05 | 0.1 | 0.15 | 0.2 | 0.25 | 0.3 |               |               |                   |      |
| <b>Air Flow - CFM</b> | 76                               | 73   | 70  | 67   | 64  | 61   | 57  | 5.0           | 2575          | 54                | 11.2 |

| <b>PROJECT</b>    |              |     |         |     |       |      | <b>ARCHITECT</b>    |     |                              |             |  |
|-------------------|--------------|-----|---------|-----|-------|------|---------------------|-----|------------------------------|-------------|--|
| <b>LOCATION</b>   |              |     |         |     |       |      | <b>ENGINEER</b>     |     |                              |             |  |
| <b>CONTRACTOR</b> |              |     |         |     |       |      | <b>SUBMITTED BY</b> |     |                              | <b>DATE</b> |  |
| FAN NUMBER        | MODEL NUMBER | CFM | IN W.G. | RPM | WATTS | AMPS | SONES               | QTY | OPTIONAL EQUIPMENT & REMARKS |             |  |
|                   |              |     |         |     |       |      |                     |     |                              |             |  |



**Air King:** 820 Lincoln Avenue  
 West Chester, Pennsylvania 19380-4466  
 Tel: (610) 692-7400 • 877-304-3785  
 Fax: (610) 696-8048

**Canada:**  
 Bolton, Ontario  
 Tel: 905-456-2033