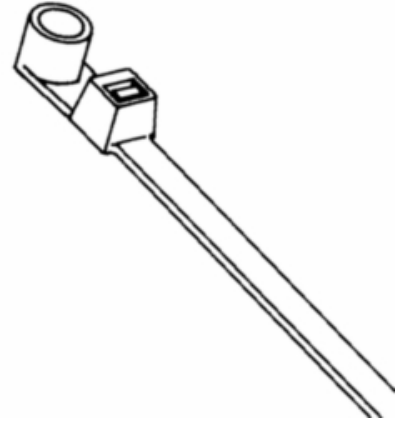




CT50175MH10C, Cable Tie, 1.75" Max Bundle, 50 Lb Tensile, Natural, Screw Mount

By Burndy
Catalog # [CT50175MH10C](#)

Natural Nylon 6/6 Mounting Hole Cable Tie, #10 Stud, 1.75"
Max. Bundle Dia, 50 Lbs, 8.50" Long.



Features

- Mounting Hole

Application

For Screw Mount

General

Color	<ul style="list-style-type: none">• Natural• Naturel
Material	NYLON 6/6
Mounting Method	Screw
Operating Temperature Celcius Max	85 °C
Operating Temperature Celcius Min	-40 °C
Rating - Minimum Tensile Strength lbs	50
Sub Brand	UNIRAP,CABLE TIE
Trade Name	UNIRAP™
Type	Standard
UPC	781810335246

Dimensions

Dimension - Bundle Diameter Max inch	1.75 in
Dimension - L Length Overall mm	203 mm
Dimension - Length Overall inch	8.00 in
Dimension - Screw Size inch	#10
Dimension - Width inch	0.17 in
Dimension - Width mm	4 mm

Certifications and Compliance

Certification - 94V0 Rated	No
Certification - CSA Approved	No
Certification - ETL	No
Certification - UL Recognized	No
Certification - UV Rated	No
Certification - cULus	No
Standards - RoHS Compliance Status	CM
UL Listed	No

Logistics

Carton Quantity	5000
Minimum Pack Quantity	100

Product Assets

[3D Models - CT50175MH10C_MODEL-STEP](#)
[3D Models - CT50175MH10C_MODEL-PDF](#)
[3D Models - CT50175MH10C_MODEL-IGES](#)
[Catalogs - Full Line BURNDY Catalog](#)
[Sales Drawings - 50080813](#)



A proud member of the Hubbell Family.

©2024 Hubbell Incorporated. All rights reserved.
BRDY-CT50175MH10C-SPEC-EN | REV 1/2024