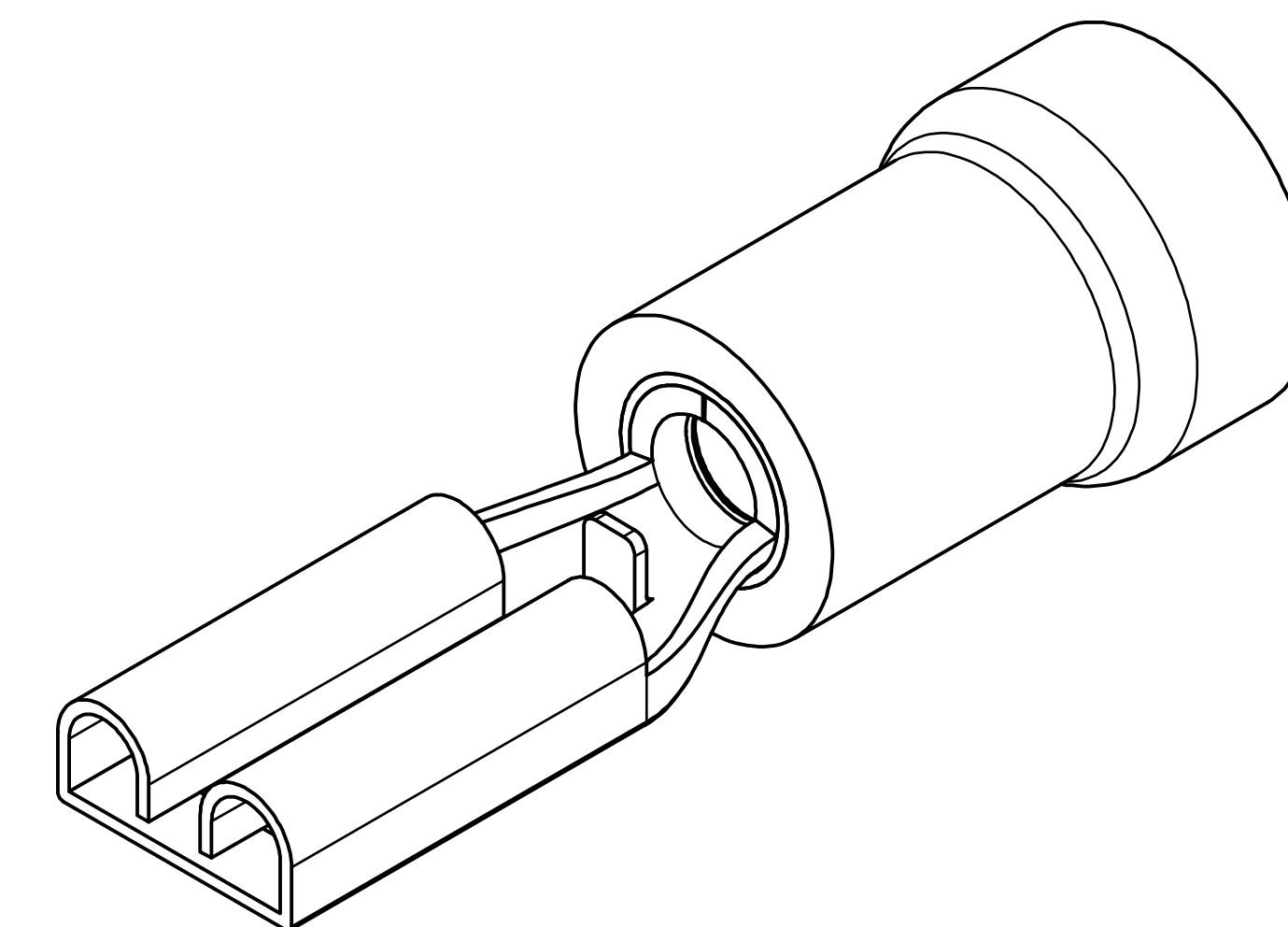
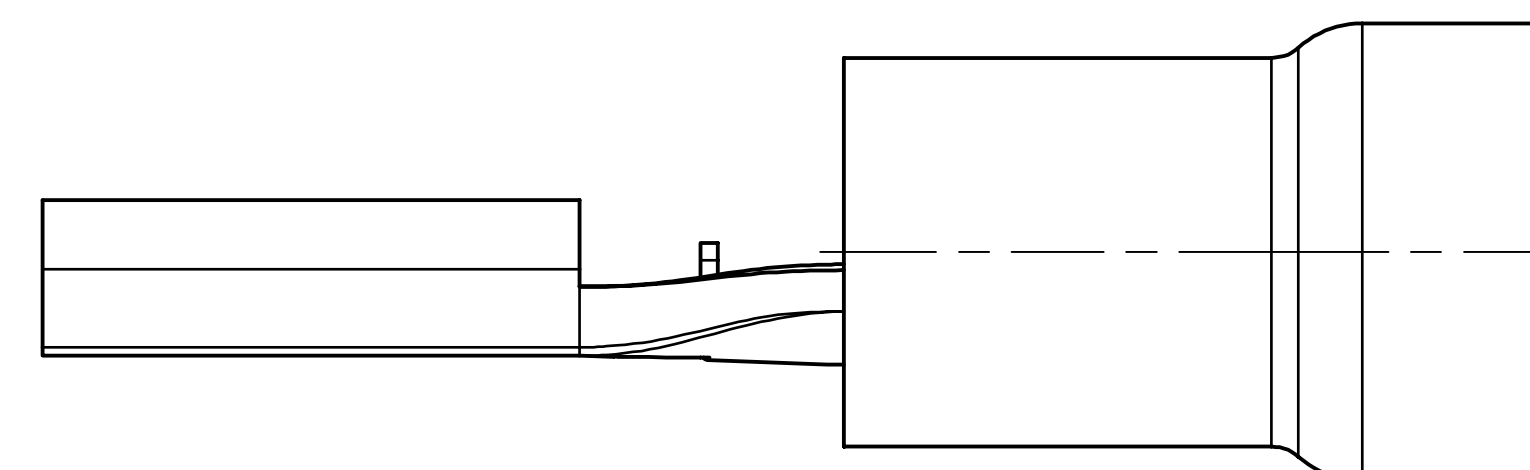
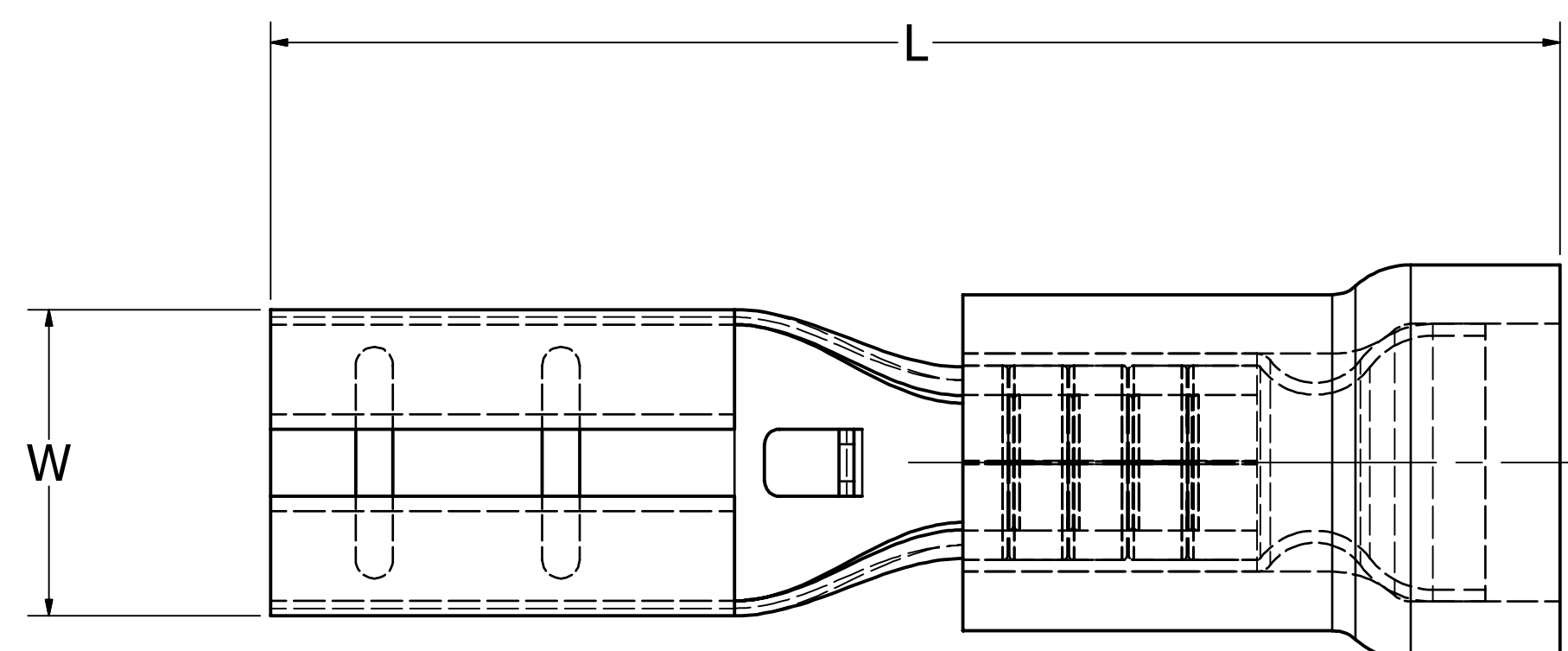


REV	DATE	DESCRIPTION	ECO	BY	C'H'K.
A	03/07/2019	NEW DRAWING CREATION	50972	YR	VS

WIRE SIZE (AWG)	CATALOG NUMBER	BULK CATALOG NUMBER	NEMA Tab Size	LENGTH (L)	WIDTH (W)	WIRE STRIP LENGTH ±.03 [±.8]	COLOR CODE	INSTALLATION TOOLING (ONE CRIMP)
22-16 Str. and Sol.	QP18F11X02D	-	.11 X .02	.75 [19.0]	.11 [2.8]	3/8" [9.5]	RED	MRE1022NV, Y1022, Y10D
	QP18F18X02D	QP18F18X02B	.19 X .02	.79 [20.1]	.19 [4.8]			
	QP18F25X03D	QP18F25X03B	.25 X .03	.87 [22.1]	.25 [6.4]			
16-14 Str. and Sol.	QP14F11X02D	-	.11 X .02	.75 [19.0]	.11 [2.8]		BLUE	
	QP14F18X02D	QP14F18X02B	.19 X .02	.79 [20.1]	.19 [4.8]			
	QP14F25X03D	QP14F25X03B	.25 X .03	.87 [22.1]	.25 [6.4]			
12-10 Str. and Sol.	QP10F18X02D*	QP10F18X02B	.19 X .02	.98 [24.9]	.19 [4.8]		YELLOW	
	QP10F25X03D	QP10F25X03B	.25 X .03		.25 [6.4]			
	QP10F38X05D*	-	.38 X .05	1.14 [29.0]	.39 [9.9]			



NOTES:

1. TERMINAL: TIN PLATED BRASS
2. INSULATION: POLYVINYLCHLORIDE
3. DIMENSIONS IN BRACKETS [] ARE IN MILLIMETERS AND ARE FOR REFERENCE ONLY.
4. cULus LISTED ELECTRICAL QUICK-CONNECT TERMINALS PER UL310 (FILE E79563) & CSA C22.2 NO. 153 REQUIREMENTS.
5. WIRE CONNECTOR:
300V MAXIMUM
TEMPERATURE RATING OF INSULATING MATERIAL 75°C
FLAME RATING: UL94 V-0
6. ITEMS WITH CATALOG NUMBERS FOLLOWED BY ASTERISKS (*) ARE NOT cULus LISTED.

TO ORDER BURNDY® PRODUCTS CALL		FINGRIP	
UNITED STATES 1-800-346-4175 (LONDONDERRY, NH)		ITEM NO: N/A	
CANADA: 1-800-361-6975 (QUEBEC) 1-800-387-6487 (ALL OTHER PROVINCES)		CAT. NO: TYPE QP-F	
FOR PRODUCT INFO: http://www.burndy.com		DRAWN BY: R.YOGARAJ 03/07/2019	
		CHECKER: S.VENKATESAN 03/07/2019	
		DSN APRVL: --	
		MFG APRVL: --	
		QA APRVL: --	
		MKT APRVL: --	
		PROD FAM: --	
		PROJECT #: --	
		SIZE	
		D	
		DRAWING NO	
		50094207	
		REV	
		A	
		SHEET 1 OF 1	