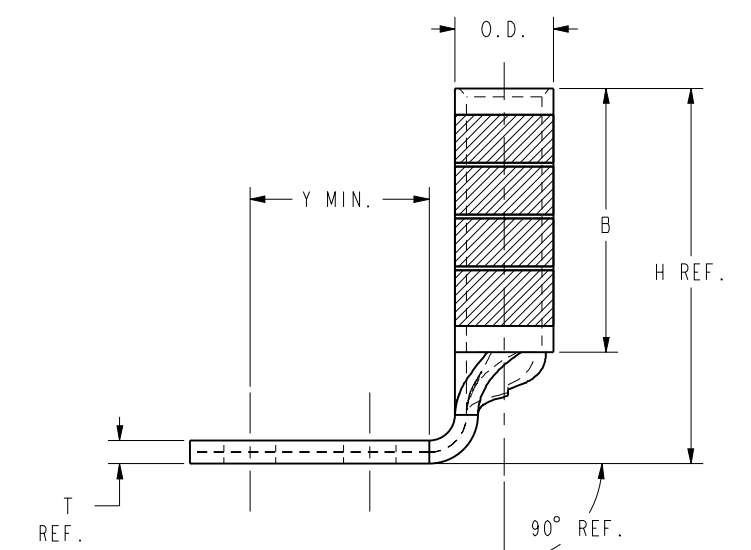
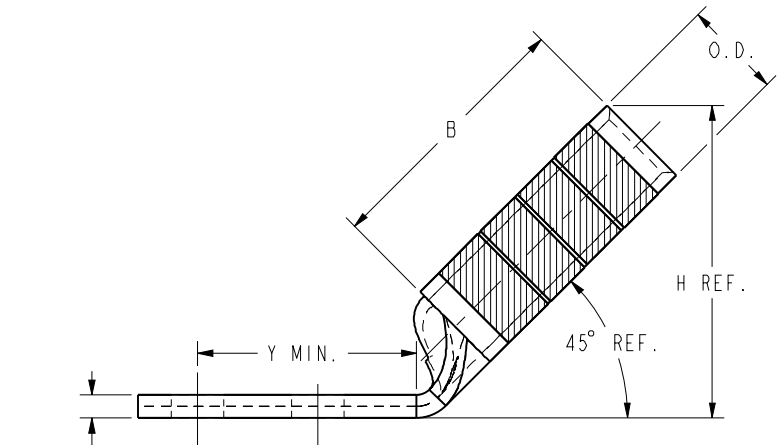
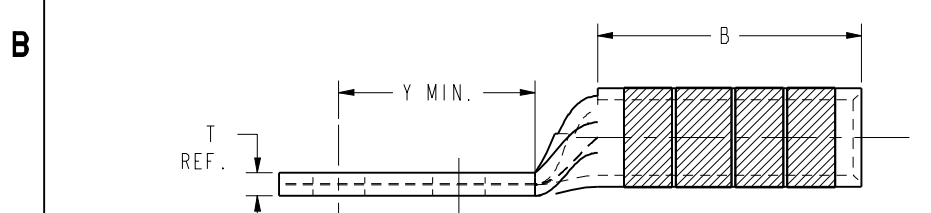
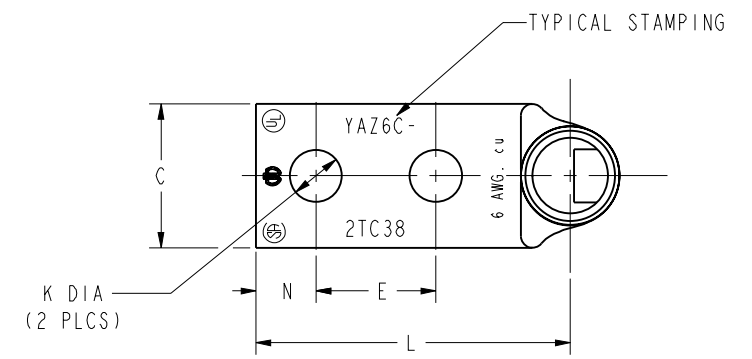
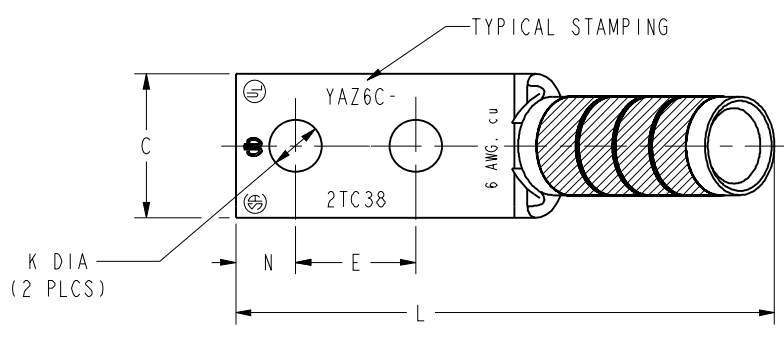
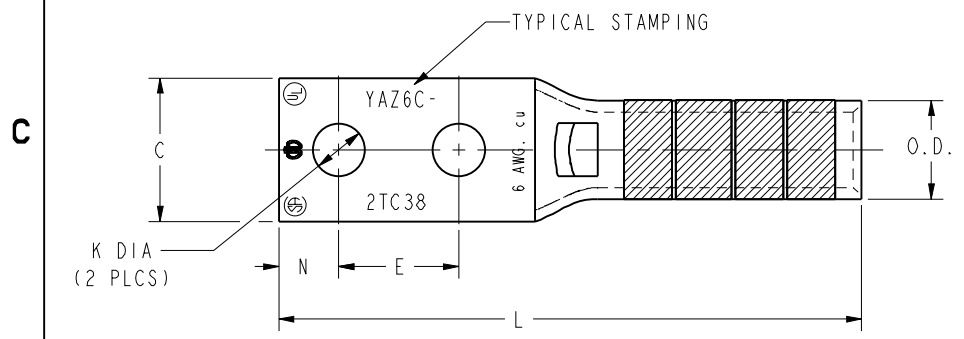


REV	DATE	DESCRIPTION	ECO	BY	C'H'K.
D	02/01/2016 09:30:00 AM	NOTE# 10 UPDATED	41185	BSB	RG

CATALOG NO.	CONDUCTOR		BOLT SIZE	FIG. NO.	DIMENSIONS										INSTALLATION TOOLING (# CRIMPS)										
	CODE (AWG)	NAVY <span style="border: 1px solid black; padding: 2px;">5</span>			B ±.03	C <span style="border: 1px solid black; padding: 2px;">+.04 -.02</span>	E ±.02	H REF.	K DIA. ±.02	L ±.06	N ±.04	O.D. ±.01	T REF.	Y MIN.	DIE INDEX	COLOR CODE	MECHANICAL RATCHET			HYDRAULIC			DIELESS (# CRIMPS)	WIRE STRIP LENGTH	
YAZ6C2TC38				1																				MECHANICAL: MY29-11 (1)	
YAZ6C2TC3845	#6 STR #6 SOL	30	3/8 [M10]	2	1.12 [28]	.58 [15]	1.00 [25]	1.18 [30]	.40 [10]	2.97 [75]	.41 [10]	.29 [7]	.06 [2]	1.43 [36]	7 OR 374	BLUE	W5CVT W5CRT (2)	W5CVT W5CRT (2)	BLUE (2)	A5CR (2)	Y750 Y35, Y39, PAT750	Y46 <span style="border: 1px solid black; padding: 2px;">4</span>	Y45 <span style="border: 1px solid black; padding: 2px;">3</span>	HYDRAULIC: Y644 (1) <span style="border: 1px solid black; padding: 2px;">9</span> PAT644 (1) Y81KFT (1) PAT81KFT (1)	1-3/16
YAZ6C2TC3890 <span style="border: 1px solid black; padding: 2px;">10</span>				3				1.46 [37]		2.06 [52]															



- NOTES:
- MATERIAL: COPPER TUBING.
  - FINISH: TIN PLATED
  - CATALOG # PT6515 ADAPTOR IS REQUIRED TO USE "U" DIES IN Y45 SERIES TOOLS.
  - CATALOG # PUADP-1 ADAPTOR IS REQUIRED TO USE "U" DIES IN Y46 SERIES TOOLS.
  - NAVY CABLE SIZE MAY BE OMITTED ON SOME SIZES BECAUSE OF SPACE LIMITATIONS.
  - PERMANENT DIE IN TOOLING.
  - DIMENSIONS, METRIC WIRE, & METRIC BOLT SIZES IN BRACKETS [ ] ARE IN MILLIMETERS. DIMENSIONS ARE ROUNDED OFF TO THE NEAREST MILLIMETER, UNLESS OTHERWISE NOTED, AND ARE FOR REFERENCE ONLY.
  - FOR USE BY CUSTOMERS THAT HAVE THIS HYPRESS™ NO NEW Y34A HYPRESS™ ARE BEING PROCESSED.
  - DO NOT USE PAT644 OR Y644 TOOLING WITH 6 AWG SOL.
  - THESE CATALOG NUMBERS CANNOT BE INSTALLED WITH Y45 TOOLING.

TO ORDER BURNDY® PRODUCTS CALL		HYLUG™	
UNITED STATES 1-800-346-4175 (LONDONDERRY, NH)		ITEM NO: N/A	CAT. NO: YAZ6C-2TC- (SEE TABLE)
CANADA: 1-800-361-6975 (QUEBEC) 1-800-387-6487 (ALL OTHER PROVINCES)		DRAWN BY: D. BOISVERT 11/11/98	CHECKER: K. HENRY 12/03/98
FOR PRODUCT INFO: <a href="http://www.burndy.com">http://www.burndy.com</a>		DSN APPVL: B. MACDONALD 12/02/98	MFG APPVL: N/A
		GA APPVL: S. GARY 11/30/98	MKT APPVL: B. HARDGROVE 11/25/98
		PROD FAM: --	DRAWING NO: SE211915
		PROJECT #: --	SCALE: 4:1
		DOCUMENT TYPE: Sales	REV: D
		REL LEVEL: Released	SHEET 8 OF 36

REV: PE0200

A

D

C

B