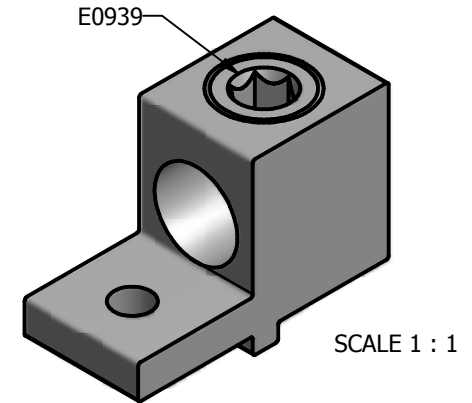
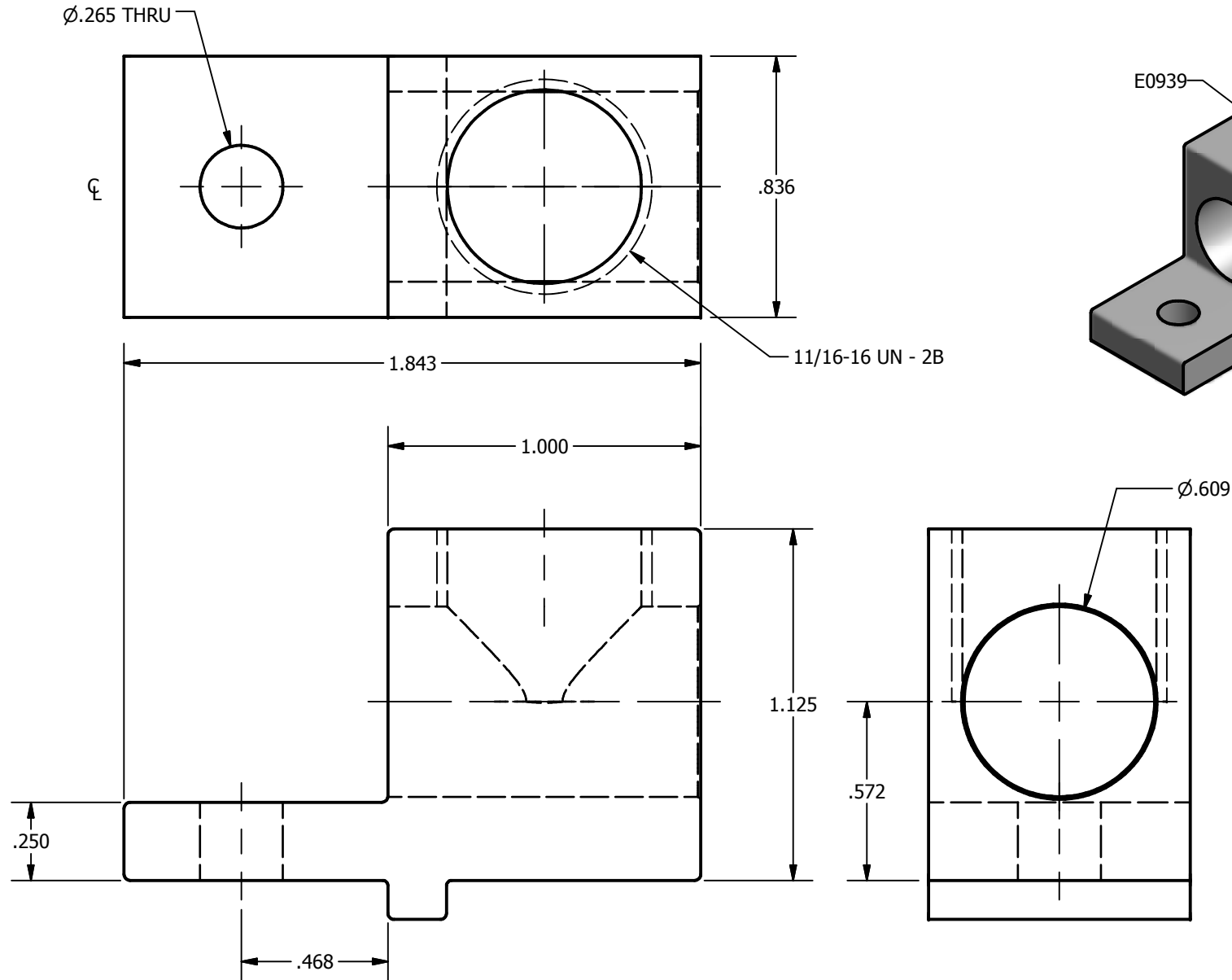


| | | | | |
|---------------------------|---|----------------|--|--|
| SCREW: E0939 | MATERIAL: ALUMINUM | REV: O | ILSCO connections matter 800-776-9775 www.ilsco.com | |
| CAT. NO.: ATTA-250-14 | PLATING: EL-TIN | DRAWN BY: CLH | SCALE: 2:1 | DWG. NO. 1 1 D2831 -23 SHEET: 1 OF 1 -24 |
| INFORMATION SHEET: FORM 1 | MARKING: ILSCO, D2831, 250kcmil-6, AL9CU, | DATE: 3/4/2008 | SIZE: A | |



| DEVIATION | SCREW ASSEMBLY |
|-----------|----------------|
| C23T | FLUSH TO TOP |
| C24T | SNUG TO BOTTOM |