



Explosionproof fixture for ceiling mounting. Set screw to stem prevents rotation. Cast aluminum housing, heat and impact resistant globe. Fits all incandescent lamps up to 300 Watt PS-25. Lamp not supplied.

Color: Silver gray

Weight: 9.8 lbs

<b>Project:</b>	<b>Type:</b>
<b>Prepared By:</b>	<b>Date:</b>

Lamp Info		Ballast Info	
Type	PS-25	Type	N/A
Watts	300W	120V	N/A
Shape/Size	N/A	208V	N/A
Base	N/A	240V	N/A
ANSI	N/A	277V	N/A
Hours	N/A	Input Watts	N/A
Lamp Lumens	N/A		
Efficacy	N/A		

**Technical Specifications**

**Construction**

**Housings:**

Heavy-cast aluminum. Unit withstands 1490 lbs. per square inch hydrostatic pressure.

**Globe:**

Impact and heat resistant clear prismatic design affords excellent light control

**Finish:**

Formulated for high durability and long-lasting color

**Reflectors:**

Heavy gauge aluminum with highly reflective white acrylic finish

**Hub Size:**

1/2"

**Hub Count:**

1

**Mount:**

Ceiling mount

**Weight:**

9.8 lb.

**Electrical**

**THD:**

7.5% at 120V, 7.1% at 277V

**Wiring:**

Wiring is factory sealed. Inspection hole provides easy access to splice compartment.

**Socket:**

Medium base glazed porcelain. Leads pass through sealing compound that separates lamp chamber from wiring compartment. Heavy gauge nickel plated copper components. Spring loaded center contact.

**Other**

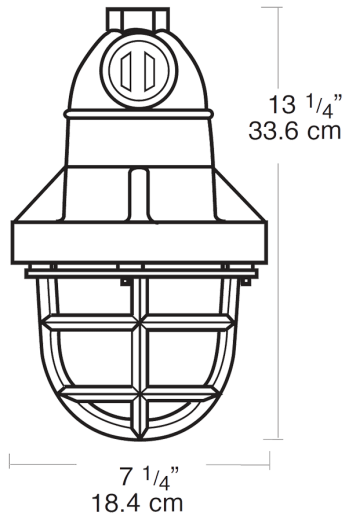
**Refer to the catalog for Class and Division specifications:**

**Buy American Act Compliance:**

RAB values USA manufacturing! Upon request, RAB may be able to manufacture this product to be compliant with the Buy American Act (BAA). Please contact customer service to request a quote for the product to be made BAA compliant.



## Dimensions



## Features

- Fixture comes complete with built-in junction box
- Cast aluminum construction with gray polyester powder coat finish
- Easy relamping with a single thumb screw
- Factory sealed for easy installation
- Heat and impact resistant prismatic glass globe
- Die cast guard
- Easy field installation